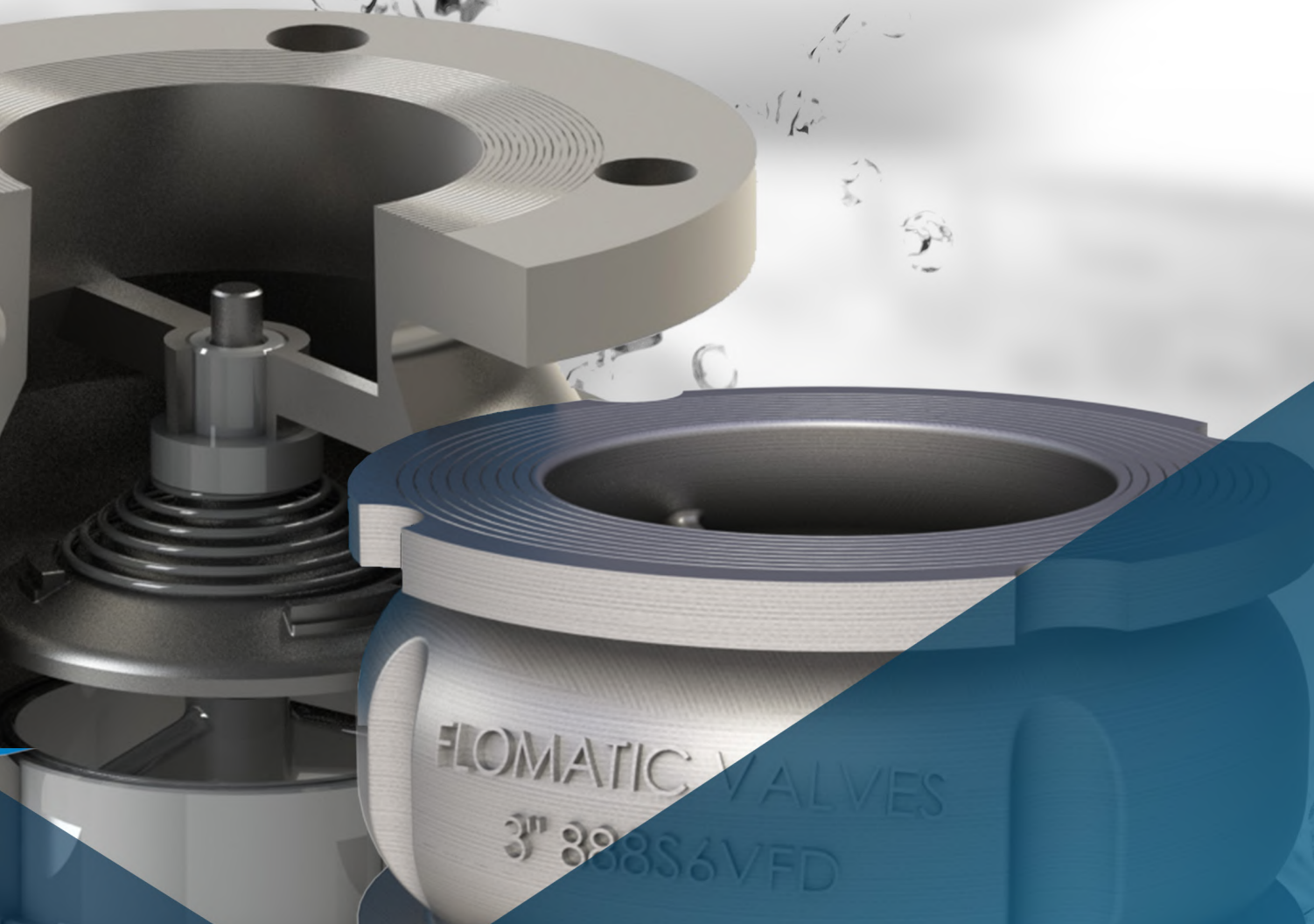




# FLOMATIC® VALVES

*High Quality Valves Built To Last...*



## **SILENT CHECK VALVES GLOBE & WAFER STYLE**

**WAFER STYLE** SERIES 888

**GLOBE STYLE** SERIES 402

Manufacturer under certified ISO 9001-2015 and  
ISO 14001-2015 quality and environmental systems

# WAFER STYLE SERIES 888

The Model 888 is a patented design constructed of an epoxy coated ductile iron or 316 stainless steel body. The valves are designed for simple flanged supported installation and will operate equally well in any position. Dual rated for flanged ANSI 150# and 300# mounting (except 8" and 10" sizes). An EPDM rubber seal is standard in all sizes. Metal-To-Metal seating is optional, simply remove "R" from the end of the part number.

## OPERATION

The double guided spring loaded poppet system maximizes efficiency and reduces water hammer. Easy field exchangeable internal system.

## APPLICATIONS

- Booster Pump Systems
- General Utilities
- Industrial
- Food Processing
- Municipal Water
- Irrigation
- HVAC



**TEMP MAX:** 200°F (93°C) - Higher Temp Available  
Contact Factory

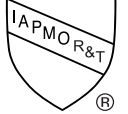


**ANSI 150#:** MAX PRESSURE 300 PSI at 150°F  
**ANSI 300#:** MAX PRESSURE 500 PSI at 150°F  
Consult Factory for Pressure Rating Standards



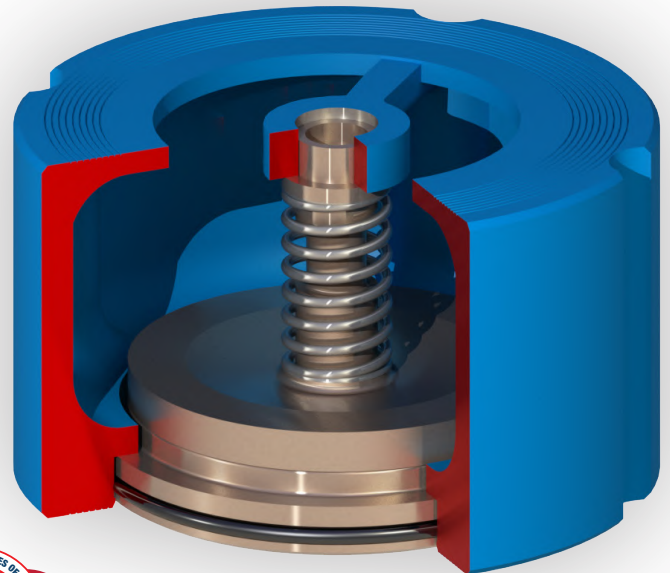
**SIZES:** 2" THRU 10"

LEAD FREE  
NSF/ANSI 61



## FEATURES & BENEFITS

- LOW HEADLOSS
- MINIMIZES WATER HAMMER
- 100 % FUSION BONDED EPOXY COATED
- DUCTILE IRON BODY STANDARD, 316 STAINLESS OPTIONAL
- DRIP-TIGHT RESILIENT SEATING WITH SEAL
- EPDM SEAT STANDARD
- NSF/ANSI 61 AND NSF/ANSI 372
- MEETS MSS-SP 125
- AIS MODELS AVAILABLE - CONSULT FACTORY



MODEL **888S6R/888S6**  
SIZES 2" - 8"

ALL 316SS CONSTRUCTION



MODEL **888R/888**  
SIZES 2" - 10"

100% FUSION BONDED EPOXY COATED  
WITH BRONZE INTERNALS



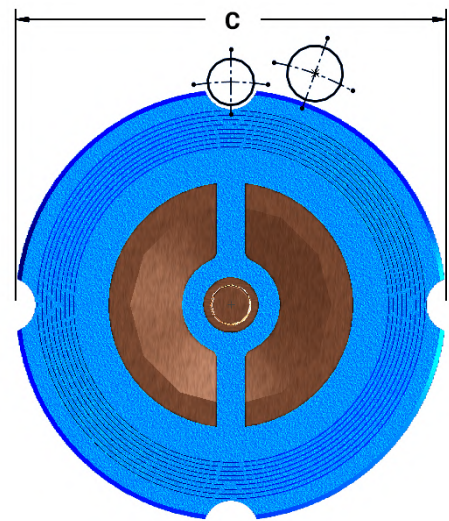
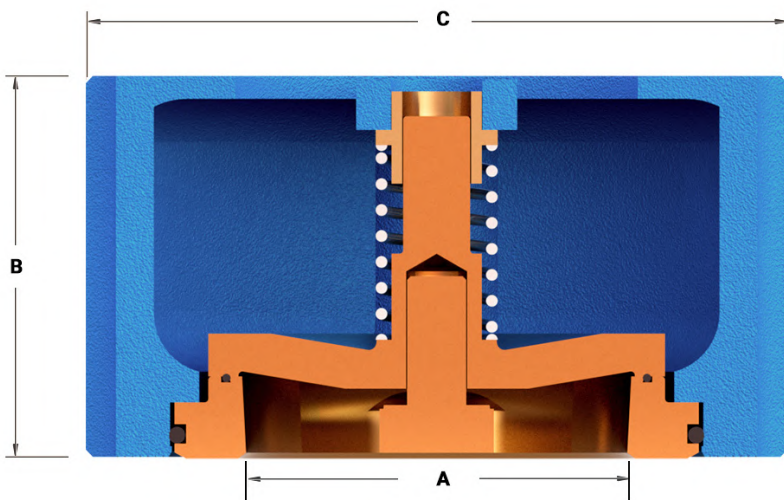
MODEL **888STR/888ST**  
SIZES 2" - 8"

100% FUSION BONDED EPOXY COATED  
WITH 316 SS INTERNALS

# MATERIALS OF CONSTRUCTION

## SERIES 888 OPTIONS

MODEL	SIZES	TYPE	BODY MATERIAL	SEAT TRIM	SEAT
888R	2" - 10"	Standard	DUCTILE IRON ASTM A536	UNLEADED BRONZE C87800	EPDM
888	2" - 10"	Optional	DUCTILE IRON ASTM A536	UNLEADED BRONZE C87800	METAL
888STR	2" - 8"	Optional	DUCTILE IRON ASTM A536	316 SS ASTM CF8M	EPDM
888ST	2" - 8"	Optional	DUCTILE IRON ASTM A536	316 SS ASTM CF8M	METAL
888S6R	2" - 8"	Standard	316 SS ASTM CF8M	316 SS ASTM CF8M	EPDM
888S6	2" - 8"	Optional	316 SS ASTM CF8M	316 SS ASTM CF8M	METAL



## DIMENSIONS

VALVE SIZE	888R PART#	888STR PART#	888S6R PART#	A		B		C		WEIGHT	
				INCH	MM	INCH	MM	INCH	MM	LBS	KG
2"	2434R	2434STR	2434S6R	2 13/32"	61	2 5/8"	67	4 1/4"	108	5	2.5
2 1/2"	2432R	2432STR	2432S6R	2 9/16"	65	2 7/8"	73	5"	127	7	3
3"	2435R	2435STR	2435S6R	3 1/4"	83	3 1/8"	79	5 3/4"	146	11	5
4"	2436R	2436STR	2436S6R	4 3/8"	111	4"	102	7"	178	18	8
5"	2433R	2433STR	2433S6R	5 1/4"	133	4 3/4"	121	8 3/8"	213	25	11.5
6"	2437R	2437STR	2437S6R	5 29/32"	150	5 1/2"	140	9 3/4"	248	36	16.5
8"*	2438R*	2438STR*	2438S6R*	8 7/32"	209	6 1/2"	165	13 3/8"	340	80	36
8"**	2438-2R**	2438-2STR**	2438-2S6R**	8 11/32"	209	6 1/2"	165	13 5/8"	340	85	39
10"*	2439R*	-	-	10 7/64"	257	8 1/4"	210	16"	406	129	59

REMOVE "R" FROM END OF PART NUMBER FOR METAL SEAT

\*ANSI 150 ONLY

\*\*300# FLANGED DIMENSIONS

# WAFER STYLE SERIES 888VFD

The Model 888VFD is a patented silent wafer style check valve. The spring loaded valve begins to close as flow is reduced and fully closes at zero velocity stopping reverse flow, thus helping to reduce water hammer shock.

The unique poppet design insures that the valve operates quietly and efficiently across a wide range of flow velocities. Ideally designed for installations with varying flow rates in VFD controlled booster pump systems, as well as non vfd systems.

The Model 888VFD has a 100% fusion bonded epoxy coated ductile iron body, while the Model 888S6VFD is an all 316 stainless steel design. Both Models feature a 316 Stainless steel poppet and seat with an EPDM seat standard.

## OPERATION

The Model 888VFD is designed to minimize flow losses and hydraulic shocks in the pump system. The patented spring loaded poppet system features an oversized bushing which provides stability and quiet and efficient operation regardless of flow rate. Additionally, the patented design allows for direct mounting of a butterfly valve on the discharge side with no poppet/disc interference (2" - 6" sizes).

## APPLICATIONS

- Booster Pump Systems
- VFD controlled Pumps
- Food Processing
- Irrigation
- Municipal Water
- Power Generation
- Industrial



**TEMP MAX:** 200°F (93°C) - Higher Temp Available  
Contact Factory



**ANSI 150#:** MAX PRESSURE 300 PSI at 150°F  
**ANSI 300#:** MAX PRESSURE 500 PSI at 150°F  
Consult Factory for Pressure Rating Standards



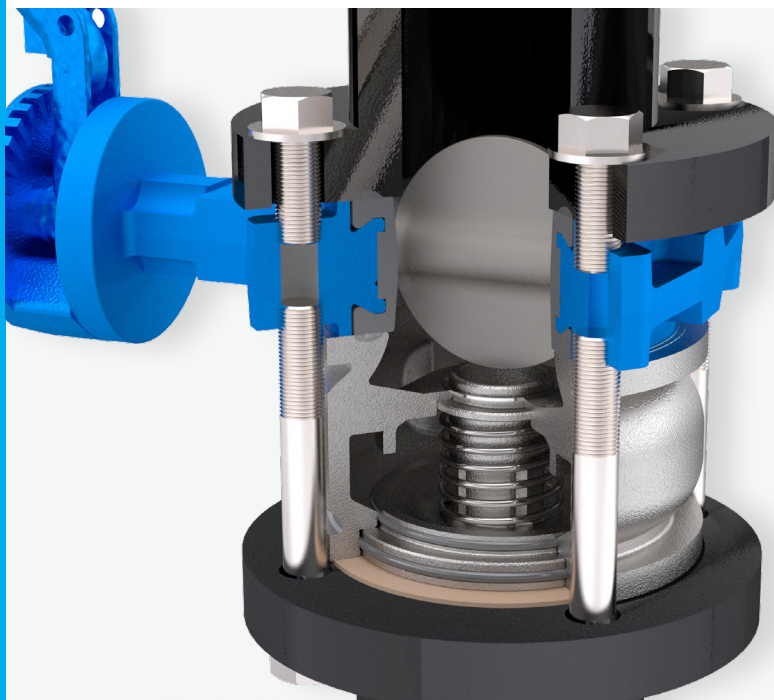
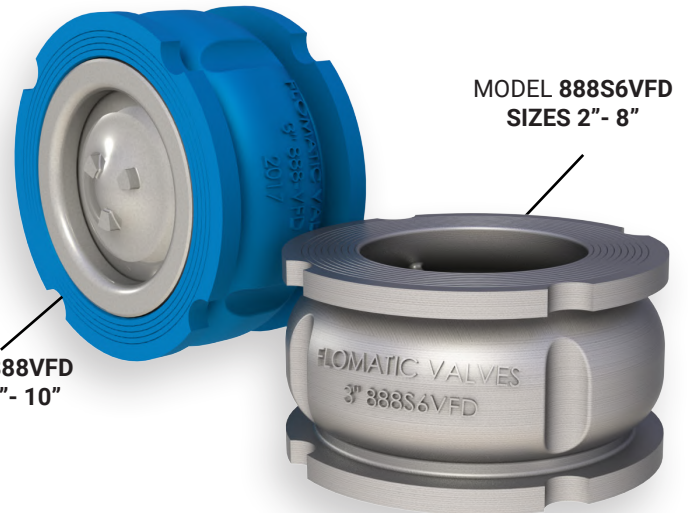
**SIZES:** 2" THRU 10"

LEAD FREE  
NSF/ANSI 61



## FEATURES & BENEFITS

- SUITABLE FOR DIRECT MOUNTING OF BUTTERFLY VALVES (2" - 6")
- LOWER HEADLOSS
- 20% MORE FLOW THAN CONVENTION WAFER STYLE VALVES
- NO SET SCREWS
- EPDM O-RING SEAL - DRIP TIGHT CLOSURE
- REDUCES WATER HAMMER SHOCK
- DUCTILE IRON AND 316SS MODELS
- 316 STAINLESS STEEL INTERNALS STANDARD
- NSF/ANSI 61 AND NSF/ANSI 372
- MEETS MSS-SP 125



## COMPACT INSTALLATION

The new Flomatic Model 888VFD Wafer Check Valves can be close coupled with a Butterfly valve without a spool piece.

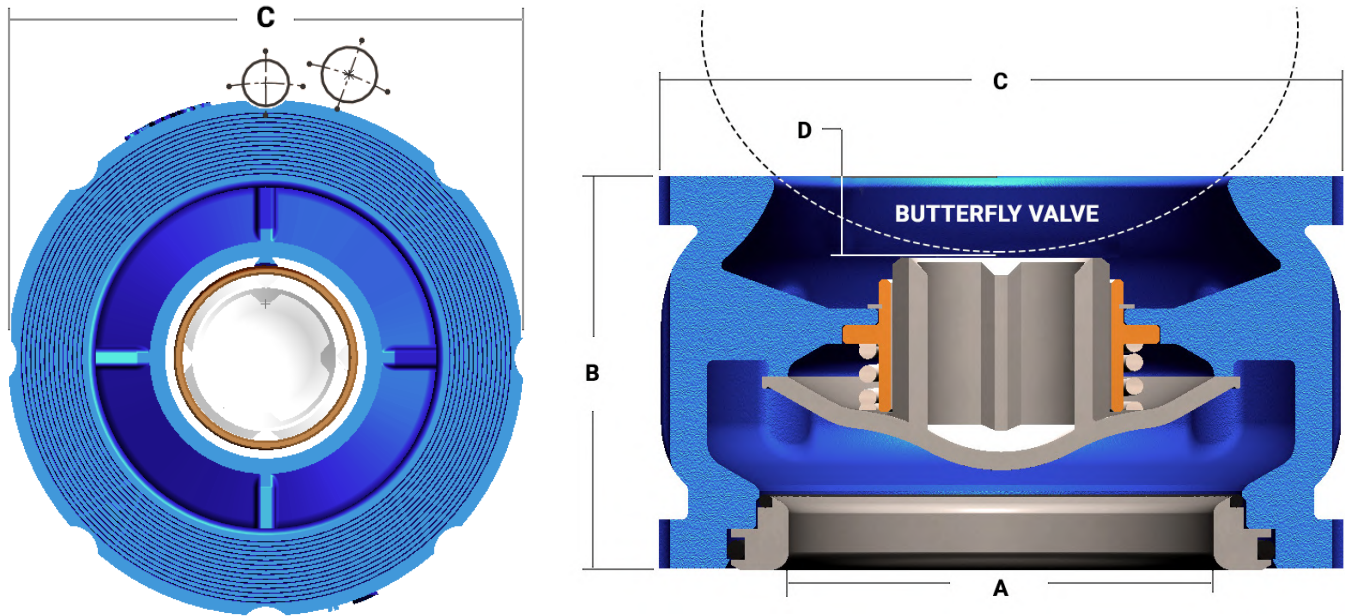
The Butterfly valve can be operated with the check valve in an "open" or "closed" position with no interference in 2" thru 6" sizes. The overall installation length is much shorter than a traditional combination of a wafer style check valve, butterfly valve, and spool piece.

A traditional Wafer Check valve cannot be close coupled with a Butterfly valve without a spacer or spool piece, longer bolts and additional flange gasket. This spool piece adds weight, takes up more space, parts and installation expense.

# MATERIALS OF CONSTRUCTION

## SERIES 888 VFD OPTIONS

MODEL	SIZES	TYPE	BODY MATERIAL	SEAT TRIM	SEAT
888VFD	2" - 10"	STANDARD	DUCTILE IRON ASTM A536	316 SS ASTM CF8M	EPDM
888S6VFD	2" - 8"	OPTIONAL	316 SS ASTM CF8M	316 SS ASTM CF8M	EPDM



# DIMENSIONS

SIZE		PART #		A		B		C		D (OPEN)		WEIGHT	
Inch	mm	888VFD	888S6VFD	Inch	mm	Inch	mm	Inch	mm	Inch	mm	Lbs	Kg
2"	50	2434VFD	2434S6VFD	2 13/32"	61	2 5/8"	67	4 1/4"	108	51/64"	20	4	2
2 1/2"	65	2432VFD	2432S6VFD	2 43/64"	68	2 7/8"	73	5"	127	57/64"	23	6	3
3"	85	2435VFD	2435S6VFD	3 1/4"	83	3 1/8"	79	5 3/4"	146	3/4"	19	9	4
4"	100	2436VFD	2436S6VFD	4 1/4"	108	4"	102	7"	178	1 3/64"	27	16	7
5"	125	2433VFD	2433S6VFD	5 1/4"	133	4 3/4"	121	8 3/8"	213	1 11/32"	34	21	10
6"	150	2437VFD	2437S6VFD	5 29/32"	150	5 1/2"	140	9 3/4"	248	1 27/32"	47	34	15
8"	200	2438VFD	2438S6VFD	8 7/32"	209	6 1/2"	165	13 3/8"	340	1 37/64"	40	75	34
10"	250	2439VFD	-	10 7/64"	257	8 1/4"	210	16"	406	1 23/32"	44	131	59

# GLOBE STYLE SERIES 402

Models 402BT and 402ST are ductile iron Globe Style Check Valves with fusion bonded epoxy coating and model 402S6 is constructed of all 316 stainless steel. The series 402 features ANSI B16.1 class 150# flanged connection and bronze or stainless steel poppet and seat with a stainless steel spring (2" - 12"). Optional EPDM rubber seat seal is available and recommended in all sizes, simply add "R" to the end of the part number.

## OPERATION

The double guided spring loaded poppet system maximizes efficiency and reduces water hammer while preventing flow reversal. The stainless steel spring provides for long maintenance free operation.

## APPLICATIONS

- Municipal Water
- General Utilities
- Power Generation
- Food Processing
- Industrial
- Irrigation
- HVAC



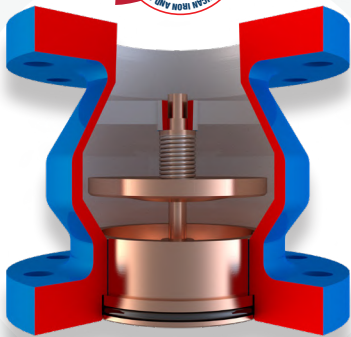
**TEMP MAX:** 200°F (93°C) - Higher Temp Available Contact Factory



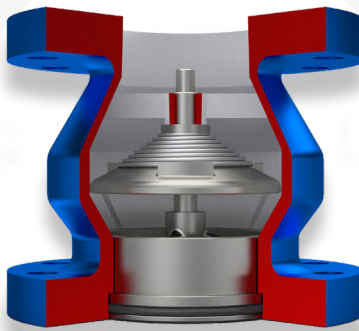
**SIZES:** 2" THRU 24"

## FEATURES & BENEFITS

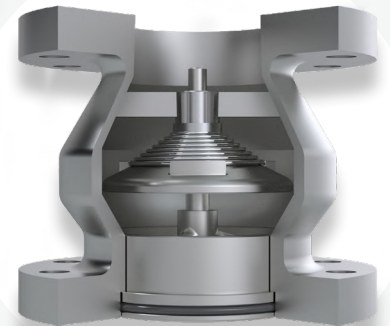
- MINIMIZES WATER HAMMER
- LOW HEADLOSS
- 100% FUSION BONDED EPOXY COATED
- LOW CRACKING PRESSURE
- NO INTERNAL SCREWS
- FIELD REPLACEABLE INTERNALS
- NSF/ANSI 61 AND NSF/ANSI 372
- MEETS MSS-SP 125
- AIS MODELS AVAILABLE (CONSULT FACTORY)



**MODEL 402BT/402BTR**  
SIZES 2" - 24"



**MODEL 402ST/402STR**  
SIZES 2" - 24"\*  
\*10" SS trim inquire with factory



**MODEL 402S6/402S6R**  
SIZES 2 1/2" THRU 12"\*  
\*10" inquire with factory



**Max Pressure 300 PSI at 150°F** - Ductile Iron 2" - 12"  
**Max Pressure 250 PSI at 150°F** - Ductile Iron 16", 20", 24"  
**Max Pressure 150 PSI at 150°F** - Cast Iron 14" & 18"

Consult factory for pressure rating standards.



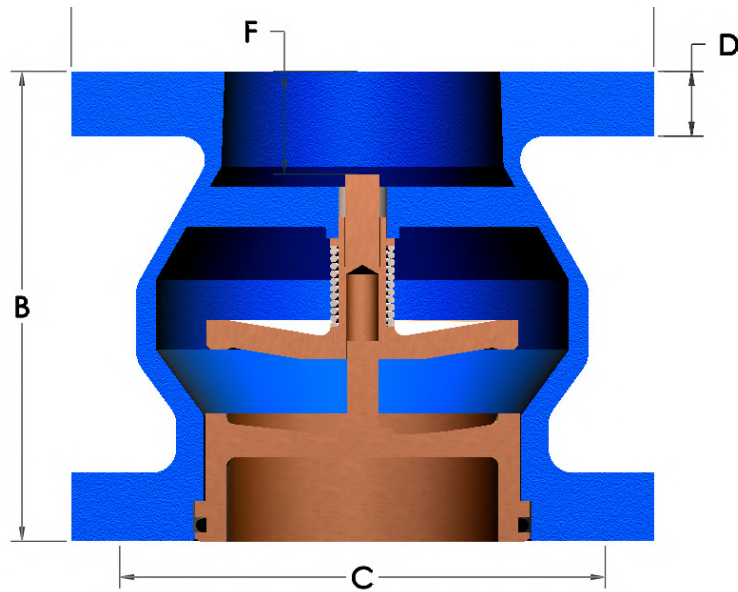
**Max Pressure 275 PSI at 100°F**  
Consult factory for pressure rating standards.

# MATERIALS OF CONSTRUCTION

## SERIES 402 OPTIONS

MODEL	SIZES	TYPE	BODY MATERIAL	SEAT TRIM	SEAT
402BTR*	2" - 24"	OPTIONAL	DUCTILE IRON ASTM A536	UNLEADED BRONZE C87800	EPDM
402BT*	2" - 24"	STANDARD	DUCTILE IRON ASTM A536	UNLEADED BRONZE C87800	METAL
402STR*	2" - 24"***	OPTIONAL	DUCTILE IRON ASTM A536	316 SS ASTM CF8M	EPDM
402ST*	2" - 24"***	OPTIONAL	DUCTILE IRON ASTM A536	316 SS ASTM CF8M	METAL
402S6R	2" - 12"***	STANDARD	316 SS ASTM CF8M	316 SS ASTM CF8M	EPDM
402S6	2" - 12"***	OPTIONAL	316 SS ASTM CF8M	316 SS ASTM CF8M	METAL

\* 14" & 18" sizes are cast iron  
 \*\* 10" SS trim inquire with factory



## DIMENSIONS

SIZE ØA		PART #	ØA		B		ØC		D		F (OPEN)		WEIGHT		BOLT SIZE	#OF BOLTS
INCH	MM		INCH	MM	INCH	MM	INCH	MM	INCH	MM	INCH	MM	LBS	KG		
2"	50	2239BT	6"	152	5 1/4"	133	4 3/4"	121	5/8"	16	1 19/64"	33	13	6	5/8"	4
2 1/2"	65	2240BT	7"	178	5 1/2"	140	5 1/2"	140	11/16"	18	1 1/16"	27	18	8	5/8"	4
3"	80	2241BT	7 1/2"	191	6"	152	6"	152	3/4"	19	1 3/8"	35	23	10	5/8"	4
4"	100	2242BT	9"	229	7 1/4"	184	7 1/2"	191	15/16"	24	1 19/32"	41	40	18	5/8"	8
5"	125	2243BT	10"	245	8 1/2"	216	8 1/2"	216	15/16"	24	2"	51	51	23	3/4"	8
6"	150	2244BT	11"	279	9 3/4"	248	9 1/2"	241	1"	25	2 7/16"	62	75	34	3/4"	8
8"	200	2245BT	13 1/2"	343	12 9/16"	319	11 3/4"	299	1 1/8"	29	3 1/4"	83	116	53	3/4"	8
10"	250	2247BT	18"	457	15 1/2"	394	14 1/4"	362	1 3/16"	30	4 1/4"	108	194	88	7/8"	12
12"	300	2248BT	19"	483	14 1/2"	368	17"	432	1 1/4"	32	13/16"	21	306	139	7/8"	12
14"	350	2249BT	21"	533	15 3/4"	400	18 3/4"	476	1 3/8"	35	1 7/16"	37	380	172	1"	12
16"	400	2250STR	23 1/2"	597	17 5/8"	448	21 1/4"	540	1 7/16"	37	2 1/4"	57	500	227	1"	16
18"	450	2251BT	25"	635	18 3/4"	476	22 3/4"	578	1 9/16"	40	2 1/4"	57	724	328	1 1/8"	16
20"	500	2252STR	27 1/2"	699	20 5/8"	524	25	635	1 11/16"	43	2 15/16"	75	890	404	1 1/8"	20
24"	600	225STR	32"	813	24"	610	29 1/2"	749	1 7/8"	48	3 5/8"	92	1220	553	1 1/4"	20

**AIS MODELS AVAILABLE. CONSULT WITH FACTORY**

FOR REFERENCE USE ONLY, SPECIFICATIONS SUBJECT TO CHANGE WITHOUT NOTICE

# FLOMATIC® VALVES

Since 1933, Manufacturing  
**The Most Complete Line of Valve Products for Water and Wastewater**  
in The United States



FIND OUR COMPLETE VALVE OFFERING AT  
[WWW.FLOMATIC.COM](http://WWW.FLOMATIC.COM)

## FLOMATIC CORPORATION

15 Pruy'n's Island Drive,  
Glens Falls, New York 12801  
Phone: (800) 833-2040  
Fax: (800) 314-3155

[WWW.FLOMATIC.COM](http://WWW.FLOMATIC.COM)

**LIMITED ONE YEAR WARRANTY:** The Flomatic Corporation warrants that its Globe and Wafer Style Valves in all sizes are free from defects in materials and workmanship. Flomatic will replace any valve covered by this warranty found to be defective within one year from time of sale. This warranty will be void if the product has been modified in any way by the purchaser, or is subject to unreasonable use.

