

GEAR

DIGITAL SOLENOID DIAPHRAGM DOSING PUMPS
WITH MECHANICAL STROKE LENGTH REGULATION



2022



GEA R

DIGITAL SOLENOID DIAPHRAGM DOSING PUMPS WITH MECHANICAL STROKE LENGTH REGULATION

This pump represents the best compromise between reliability, dosing precision, and ease of use. Designed on the back of the positive customer experience gained from our GEA R Series, Injecta's GEA R offers a modern and reliable product, a reference point in the base mounted metering pump sector.

DISPLAY AND KEYPAD

GEA R is programmable using a keypad and the 2 line, 8 digit backlit display.

EXTERNAL SIGNAL CONNECTIONS

Easy connection protected by Ip65 cover.

DOSING MODE

The pump head has a manual priming valve. The flow rate can be manually or automatically adjusted, the latter using input signals, across a range from 0 (pump stop) to 100% of the maximum flow rate. Additionally, it comes equipped with a low-level alarm to stop the pump.

MATERIALS USED IN THE PUMP HEAD

- Body PVDF
- Ball Valves Ceramic
- O-Ring FPM/EPDM
- Diaphragm PTFE

The parts that come into contact with the pumped liquid, have been chosen to be compatible with the chemicals most commonly found in use.

TECHNICAL CHARACTERISTICS

Flow rates: from 2.5 to 18 l/h
accuracy: $\leq 2,0\%$
Max Pressure: 16 bar (232 psi)
Manual priming valve
Stroke length manually adjustable
Stabilized Multi Power Supply 100 - 240 Vac,
50/60 Hz offering reduced consumption
Stroke rate: up to 300 strokes/minute
Pump head: PVDF
Diaphragm: PTFE
Enclosure: PP reinforced with fiber glass
protection degree IP65
Base mounting
Installation Kit included

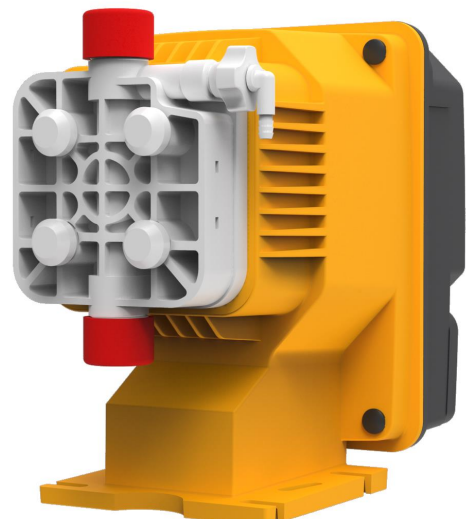
GUARANTEED 5 YEAR DIAPHRAGM WORKING LIFE

- The advanced design and manufacturing process allows Injecta diaphragm to have a unique life expectancy
- The diaphragm has been tested to offer superior results and enable Injecta to offer a 5 year guarantee
- Made of pure solid PTFE, the diaphragm is compatible with most commonly found chemicals
- Routine diaphragm replacement is no longer a requirement, helping reduce operational costs

STEADY DOSING PERFORMANCE

GEA R Series comes with a Stabilized Multi Power Supply 100÷240 Vac 50/60 Hz offering reduced energy consumption

- Solenoid only draws the required power to activate the pump, based on the working conditions
- Improved pump efficiency as performance is not affected by power supply fluctuations



GEA-R BL MANUAL ADJUSTMENT WITH LEVEL CONTROL INPUT

Manual adjustment via the control dial on the front panel which comes with indication of the percentage of frequency (P%) and the number of Stroke (F), with level probe input.



GEA-R MT AUTOMATIC CONTROL (ANALOG/DIGITAL PULSE SIGNAL INPUT)

Equipped with a status indicator, level control input and 2 different modes of dosage:

- Constant – the pump constantly doses the rate manually input on keypad
- Proportional – the pump doses proportionally based on the digital pulse signal (e.g. from water meter), or an external analogue pulse signal (4 – 20 mA).

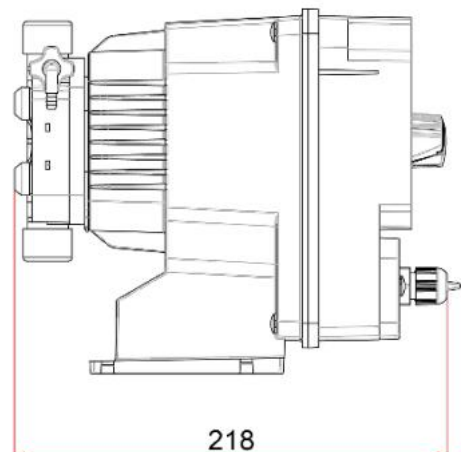
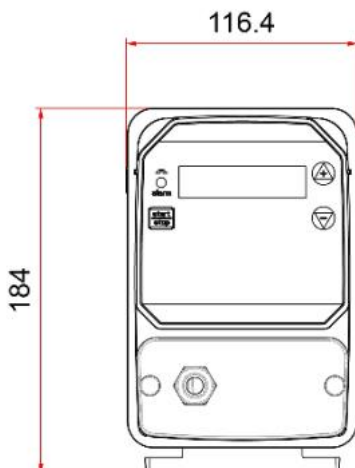
Other characteristics are:

- Timer function
- ppm proportional dosing
- Statistics
- Password
- Input On-Off (remote control)



TECHNICAL DATA

	Flow rate (l/h)	Pressure (bar)	Stroke capacity (cc/stroke)	Ø IN/OUT Conn. (mm)	Frequency max (stroke/min)
Model SERIE 1	25	20	0.35	4 - 6 / 4 - 7	120
	3	18	0.42		
	4.2	14	0.58		
	7	8	0.97		
Model SERIE 2	4	12	0.42	4 - 6	160
	5	10	0.52		
	6	8	0.63		
	8	2	0.83		
Model SERIE 3	7	16	0.38	4 - 6	300
	10	10	0.55		
	15	5	0.83		
	18	1	1.00		
Model SERIE 4	20	5	1.11	8 - 12	300
	32	4	1.78		
	62	2	3.44		
	110	0.1	6.11		



via Maestri del Lavoro, 1A - 02100 Rieti, ITALY
 tel. +39 0746 221438 r.a.
 fax. +39 0746 229070
 e-mail: info@injecta.com