

CORD SEALS & INSTALLATION KITS

Seals Cables in Terminal Adapter

Cord Seals provide strain relief and a liquid-tight seal for most simplex, duplex and plugger control panel applications. The 4-hole model seals 1-4 cables in 2" terminal adapters. The 6-hole model seals 1-6 cables in 2.5" terminal adapters. The larger size allows installers to easily pull piggy-back plugs through the terminal adapter. Durable corrosion-proof stainless steel construction. PVC plugs are included for unused cable positions.

SIMPLEX INSTALLATION KIT

Provides easy weather-proof wire installation for simplex control panels. Includes:

- 2" hub assembly
- 2" cord seal (seals 1-4 cables)
- 3/4" hub assembly for incoming power



DUPLEX INSTALLATION KIT

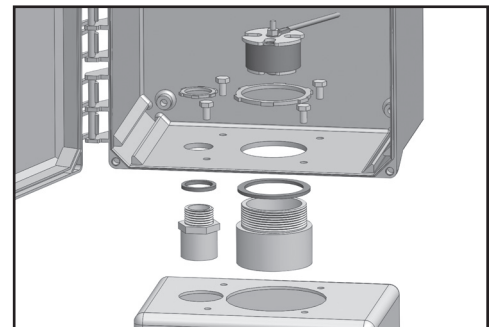
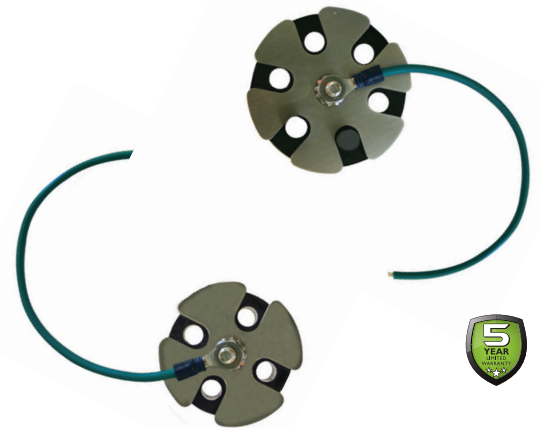
Provides easy weather-proof wire installation for duplex control panels. Includes:

- 2.5" hub assembly
- 2.5" cord seal (seals 1-6 cables)
- 3/4" hub assembly for incoming power

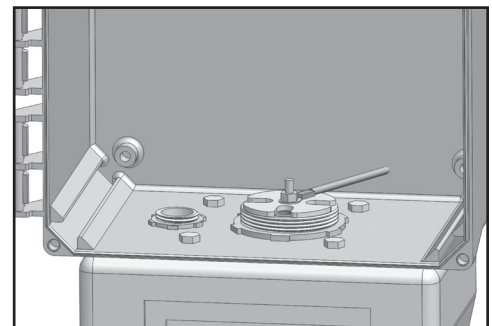


PART NO. DESCRIPTION

- **1037126** 2.5" cord seal (1-6 cables)
- **1037128** 2.5" hub assembly (includes terminal adapter, gasket and lock nut)
- **1008517** 2" cord seal (1-4 cables)
- **1008849** 2" hub assembly (includes terminal adapter, gasket and lock nut)
- **1038029** Simplex Installation Kit
- **1038030** Duplex Installation Kit



Typical cord seal installation shown with optional installation kit and panel mounting post.



Final assembly is as shown. If all positions in cord seal are not used, fill open positions with PVC plugs provided. Tighten the nut on the cord seal to prevent gas and moisture from entering panel.

