



P U M P

OPERATION, PERFORMANCE,
SPECIFICATIONS and PARTS MANUAL

SWH50/SWH100/SWH150/ SWH200 & SWHD100/ SWHD150/SWHD200 Heavy Duty Sewage Pumps



SWHD100/SWHD150/SWHD200

SWH50/SWH100/SWH150/SWH200

- Thank you for purchasing this pump. Take the time to read the instructions carefully before using this product. We strongly recommend that you keep this instruction manual in a safe place for future reference.
- Please refer to our website and the Products Center for additional installation and operation instructions and replacement parts information.

MARKS AND MEANING:

⚠ DANGER "Danger" indicates an imminent hazardous situation which, if not avoided, WILL result in death or serious injury.

⚠ WARNING "Warning" indicates an imminent hazardous situation which, if not avoided, MAY result in death or serious injury.

⚠ CAUTION "Caution" indicates a potentially hazardous situation which, if not avoided, MAY result in minor or moderate injury.

IMPORTANT

Prior to installation, record Model Number, MFG Date, Amps, Voltage, Phase and HP, from pump nameplate for future reference. Also record the voltage and current readings at startup:

1 Phase Models		Model Number: _____
Amps:	Volts:	MFG Date: _____
3 Phase Models		Phase: _____
Amps L1-2:	Volts L1-2:	HP: _____
Amps L2-3:	Volts L2-3:	SN: _____
Amps L3-1:	Volts L3-1:	



Sewage Pumps

Model: SWH & SWHD Series

General Safety Information

Before installation, read the following instructions carefully. Failure to follow instruction and safety information could cause serious bodily injury, death and/or property damage. Each Ashland Pump is individually factory tested to ensure proper performance. Closely following these instructions will eliminate potential operating problems assuring years of trouble-free service.

Most accidents can be avoided by using common sense.

IMPORTANT - Ashland Pump is not responsible for losses, injury or death resulting from failure to observe these safety precautions, misuse, abuse or misapplication of pumps or equipment.

⚠ DANGER All returned products must be cleaned, sanitized, or decontaminated prior to shipment, to insure employees will not be exposed to health hazards in handling said materials. All applicable laws and regulations shall apply.



⚠ WARNING Bronze/brass fitted pumps may contain lead levels higher than considered safe for potable water systems. Government agencies have determined that leaded copper alloys should not be used in potable water applications.

⚠ WARNING Installation, wiring, and junction connections must be in accordance with the National Electric Code and all applicable state and local codes. Requirements may vary depending on usage and location.

⚠ WARNING Installation and servicing is to be conducted by qualified personnel only.

⚠ DANGER Rotating machinery, amputation or severe lacerations can result. Keep clear of suction and discharge openings. DO NOT insert fingers into pump with power connected.



⚠ WARNING Always wear eye protection when working on pumps. Do not wear loose clothing that may become entangled in moving parts.

⚠ DANGER Pumps build up heat and pressure during operation. Allow time for pumps to cool before handling or servicing.

⚠ DANGER Hazardous Voltage can shock, burn or cause death. This pump is not intended for use in swimming pools or water installations where human contact with pumped fluid is possible.



⚠ DANGER Risk of electrical shock. To reduce risk of electrical shock, always disconnect pump from source before handling. Lock out power & tag.



⚠ WARNING Do Not use these pumps in water over 104°F. Do not exceed manufactures recommended maximum performance, as this could cause the motor to overheat.

⚠ CAUTION Make sure lifting handles are securely fastened each time before lifting.

⚠ DANGER Do not lift, carry or hang pump by the electrical cables. Damage to the electrical cables can cause shock, burns or death. Never handle connected power cords with wet hands. Use appropriate lifting device.



⚠ WARNING Sump and sewage pumps often handle materials which could cause illness or disease. Wear adequate protective clothing when working on a used pump or piping. Never enter a basin after it has been used.

⚠ DANGER Failure to permanently ground the pump, motor and controls before connecting to power can cause shock, burns or death.



⚠ DANGER These pumps are NOT to be installed in locations classified as hazardous in accordance with the National Electric Code, ANSI/NFPA 70.



⚠ WARNING Do not introduce into any sewer, either directly, or through a kitchen waste disposal unit or toilet: Seafood Shells, Aquarium Gravel, Cat Litter, Plastic Objects, Sanitary Napkins or Tampons, Diapers, Rags, Disposable Wipes or Cloth, Medications, Flammable Material, Oil or Grease, Strong Chemicals, Gasoline.

- Operation against a closed discharge valve will cause premature bearing and seal failure on any pump.
- Any wiring of pumps should be performed by a qualified electrician.
- Cable should be protected at all times to avoid punctures, cuts, bruises, and abrasions-inspect frequently.
- Never handle connected power cords with wet hands.
- Never let cords or plugs lie in water outside the sump pit.
- These pumps are offered in a three phase and single phase wiring configuration. Voltages will vary according to the application and can be seen in the tables in this manual.



Sewage Pumps Model: SWH & SWHD Series Specifications

Model	HP	Hz	Volts/Ph	RPM	Full Load Amps	Nema Start Code	Cord Type	Cord Size	Cord O.D.	Volute	Housing	Impeller	Shaft
SWH50M1-20	1/2	60	115/1	3450	12.0	P	SOW	16AWG/3C	.430	Cast Iron	Cast Iron	Cast Iron	SS
SWH50M2-20	1/2	60	230/1	3450	6.0	P	SOW	16AWG/3C	.430	Cast Iron	Cast Iron	Cast Iron	SS
SWH50M3-20	1/2	60	230/3	3450	4	P	SOW	16AWG/4C	.460	Cast Iron	Cast Iron	Cast Iron	SS
SWH50M4-20	1/2	60	460/3	3450	2	P	SOW	16AWG/4C	.460	Cast Iron	Cast Iron	Cast Iron	SS
SWH50M5-20	1/2	60	208/1	3450	6.8	P	SOW	16AWG/3C	.430	Cast Iron	Cast Iron	Cast Iron	SS
SWH50M6-20	1/2	60	208/3	3450	4.2	P	SOW	16AWG/4C	.460	Cast Iron	Cast Iron	Cast Iron	SS
SWH100M2-20	1	60	230/1	3450	11	P	SOW	16AWG/3C	.430	Cast Iron	Cast Iron	Cast Iron	SS
SWH100M3-20	1	60	230/3	3450	6.6	P	SOW	16AWG/4C	.460	Cast Iron	Cast Iron	Cast Iron	SS
SWH100M4-20	1	60	460/3	3450	3.3	P	SOW	16AWG/4C	.460	Cast Iron	Cast Iron	Cast Iron	SS
SWH100M5-20	1	60	208/1	3450	12	P	SOW	16AWG/3C	.430	Cast Iron	Cast Iron	Cast Iron	SS
SWH100M6-20	1	60	208/3	3450	6.8	P	SOW	16AWG/4C	.460	Cast Iron	Cast Iron	Cast Iron	SS
SWH150M2-20	1-1/2	60	230/1	3450	13.8	P	SOW	14AWG/3C	.575	Cast Iron	Cast Iron	Cast Iron	SS
SWH150M3-20	1-1/2	60	230/3	3450	7.6	P	SOW	16AWG/4C	.460	Cast Iron	Cast Iron	Cast Iron	SS
SWH150M4-20	1-1/2	60	460/3	3450	3.8	P	SOW	16AWG/4C	.460	Cast Iron	Cast Iron	Cast Iron	SS
SWH150M5-20	1-1/2	60	208/1	3450	15	P	SOW	14AWG/3C	.575	Cast Iron	Cast Iron	Cast Iron	SS
SWH150M6-20	1-1/2	60	208/3	3450	7.8	P	SOW	16AWG/4C	.460	Cast Iron	Cast Iron	Cast Iron	SS
SWH200M2-20	2	60	230/1	3450	18	L	SOW	14AWG/3C	.575	Cast Iron	Cast Iron	Cast Iron	SS
SWH200M3-20	2	60	230/3	3450	9	L	SOW	16AWG/4C	.460	Cast Iron	Cast Iron	Cast Iron	SS
SWH200M4-20	2	60	460/3	3450	4.5	L	SOW	16AWG/4C	.460	Cast Iron	Cast Iron	Cast Iron	SS
SWH200M5-20	2	60	208/1	3450	20	L	SOW	12AWG/3C	.655	Cast Iron	Cast Iron	Cast Iron	SS
SWH200M6-20	2	60	208/3	3450	10.4	L	SOW	16AWG/4C	.460	Cast Iron	Cast Iron	Cast Iron	SS
SWHD100M2-20	1	60	230/1	3450	11	P	SOW	16AWG/3C	.430	Cast Iron	Cast Iron	Cast Iron	SS
SWHD100M3-20	1	60	230/3	3450	6.6	P	SOW	16AWG/4C	.460	Cast Iron	Cast Iron	Cast Iron	SS
SWHD100M4-20	1	60	460/3	3450	3.3	P	SOW	16AWG/4C	.460	Cast Iron	Cast Iron	Cast Iron	SS
SWHD100M5-20	1	60	208/1	3450	12	P	SOW	16AWG/3C	.430	Cast Iron	Cast Iron	Cast Iron	SS
SWHD100M6-20	1	60	208/3	3450	6.8	P	SOW	16AWG/4C	.460	Cast Iron	Cast Iron	Cast Iron	SS
SWHD150M2-20	1-1/2	60	230/1	3450	13.8	P	SOW	14AWG/3C	.575	Cast Iron	Cast Iron	Cast Iron	SS
SWHD150M3-20	1-1/2	60	230/3	3450	7.6	P	SOW	16AWG/4C	.460	Cast Iron	Cast Iron	Cast Iron	SS
SWHD150M4-20	1-1/2	60	460/3	3450	3.8	P	SOW	16AWG/4C	.460	Cast Iron	Cast Iron	Cast Iron	SS
SWHD150M5-20	1-1/2	60	208/1	3450	15	P	SOW	14AWG/3C	.575	Cast Iron	Cast Iron	Cast Iron	SS
SWHD150M6-20	1-1/2	60	208/3	3450	7.8	P	SOW	16AWG/4C	.460	Cast Iron	Cast Iron	Cast Iron	SS
SWHD200M2-20	2	60	230/1	3450	18	L	SOW	14AWG/3C	.575	Cast Iron	Cast Iron	Cast Iron	SS
SWHD200M3-20	2	60	230/3	3450	9	L	SOW	16AWG/4C	.460	Cast Iron	Cast Iron	Cast Iron	SS
SWHD200M4-20	2	60	460/3	3450	4.5	L	SOW	16AWG/4C	.460	Cast Iron	Cast Iron	Cast Iron	SS
SWHD200M5-20	2	60	208/1	3450	20	L	SOW	12AWG/3C	.655	Cast Iron	Cast Iron	Cast Iron	SS
SWHD200M6-20	2	60	208/3	3450	10.4	L	SOW	16AWG/4C	.460	Cast Iron	Cast Iron	Cast Iron	SS

Note: All dimensions have a tolerance of + 1/8"



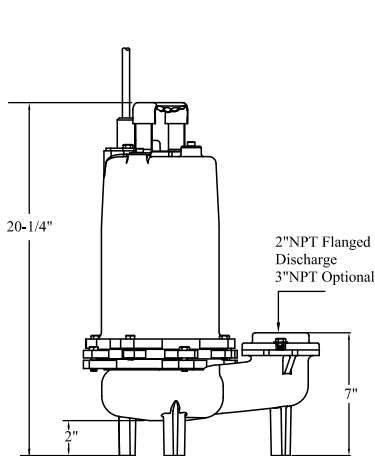
Sewage Pumps

Model: SWH & SWHD Series

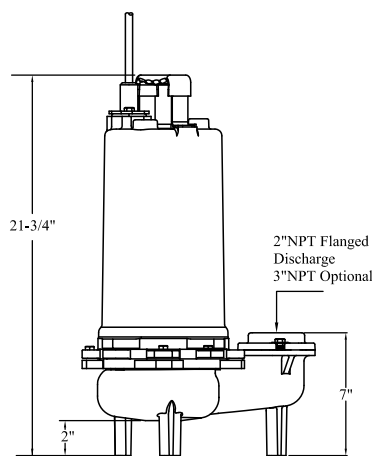
Specifications and Dimensions

Description:	To pump domestic, commercial and light industrial sewage
Physical Data:	
DISCHARGE SIZE	2" NPT Flanged Discharge, 3" NPT Optional
IMPELLER TYPE	Vortex – Cast Iron
CABLE LENGTH	20'
Liquid Handling:	
SOLIDS SIZE	2"
ACCEPTABLE PH RANGE	6-8
Temperature:	
MAXIMUM STATOR	130°C
MAXIMUM LIQUID TEMP.	104°F - Intermittent
Technical Data:	
POWER CORD TYPE	SOW
MOTOR HOUSING	Cast Iron
VOLUTE	Cast Iron
IMPELLER	Cast Iron
MOTOR SHAFT	SS416
HARDWARE	SST
"O" RINGS	NBR
MECHANICAL SEALS	Mechanical Carbon-Ceramic
UPPER BEARING	6203
LOWER BEARING	6203 for SWH series, 6204 for SWHD series

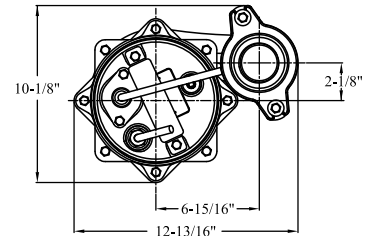
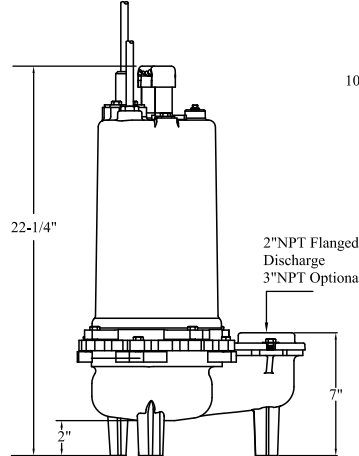
SWH50/SWH100
SWH150/SWH200 Series



SWH200M2/SWH200M5



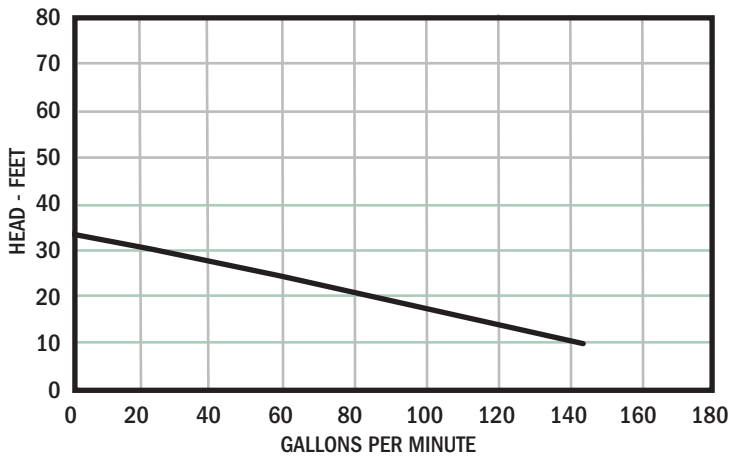
SWHD100/SWHD150
SWHD200 Series



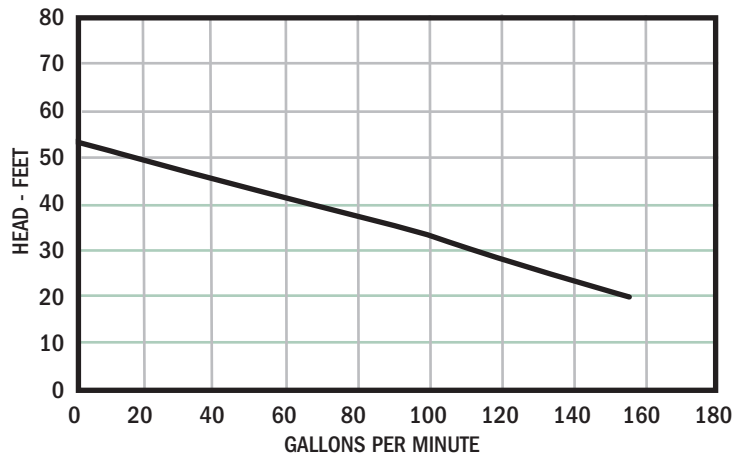


Sewage Pumps Model: SWH & SWHD Series Performance

SWH50 PERFORMANCE



SWH100 & SWHD100 PERFORMANCE



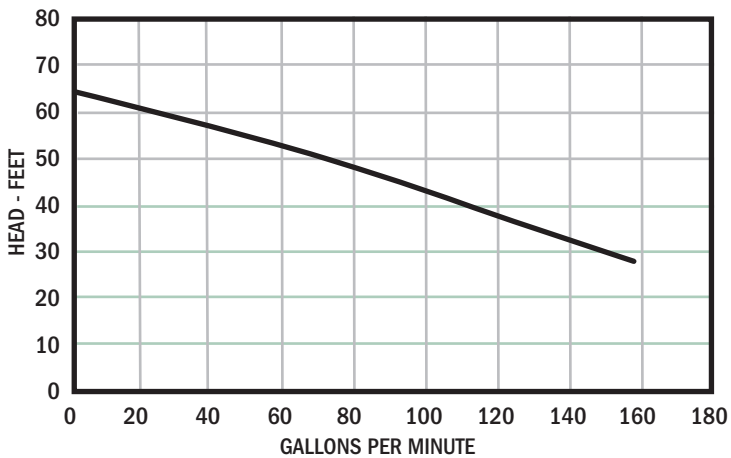
SWH50 PERFORMANCE CHART

Total Lift(feet)	10	20	25	30	32
GPM	140	85	56	20	0

SWH100 & SWHD100 CHART

Total Lift(feet)	20	25	30	40	50	52
GPM	155	134	110	62	10	0

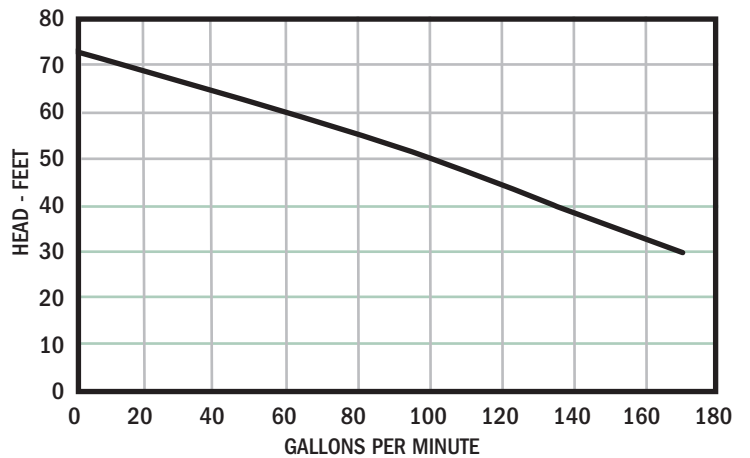
SWH150 & SWHD150 PERFORMANCE



SWH150 & SWHD150 CHART

Total Lift(feet)	30	35	40	45	50	64
GPM	152	133	114	92	72	0

SWH200 & SWHD200 PERFORMANCE



SWH200 & SWHD200 CHART

Total Lift(feet)	30	40	50	60	68	72
GPM	180	144	106	60	20	0



Sewage Pumps Model: SWH & SWHD Series Receiving and Installation

Receiving Inspection

Upon receiving the pump, it should be inspected for damage or shortages. If damage has occurred, file a claim immediately with the company that delivered the pump. If the manual is removed from the packaging, do not lose or misplace.

Storage

Any product that is stored for a period longer than six (6) months from the date of purchase should be bench tested prior to installation. A bench test consists of, checking the impeller to assure it is free turning and a run test to assure the motor (and switch if provided) operate properly. Do not pump out of liquid.

WARNING IMPORTANT! A clearance under the pump for entrance of sewage solids must be a minimum of 2 inches to a maximum of 3.5 inches.

Submergence

The pump should always be operated in the submerged condition. The minimum sump liquid level should never be less than above the pump's motor (see fig. 1), unless very briefly.

Installation

The sump or basin shall be sealed and vented in accordance with local plumbing codes. This pump is designed to pump domestic wastewater, nonexplosive and non-corrosive liquids and shall NOT be installed in locations classified as hazardous in accordance with the National Electrical Code (NEC) ANSI/ NFPA 70 or Canadian Electric Code (CEC). The pump should never be installed in a trench, ditch, or hole with a dirt bottom. The legs will sink into the dirt and the suction will become plugged.

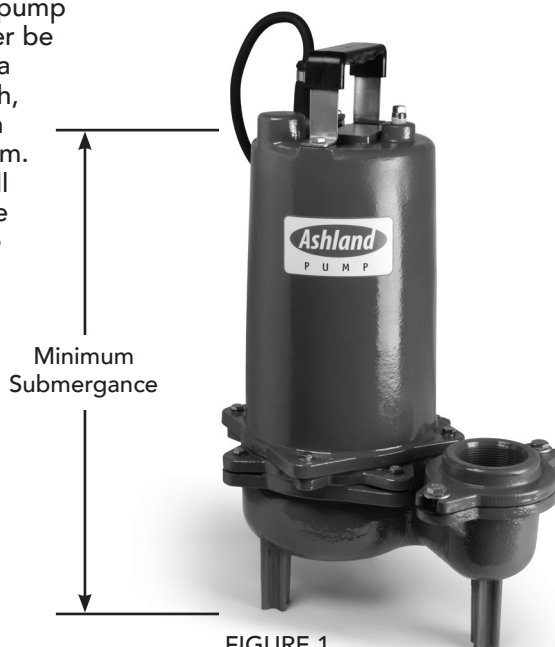


FIGURE 1

Discharge Piping

Install discharge piping or hose assembly to the pump. Discharge piping should be as short as possible and sized no smaller than the pump discharge. Do not reduce the discharge pipe size below that which is provided on the pump. Both a check valve and a shut-off valve are recommended for each pump. The check valve is used to prevent backflow into the sump. The shut-off valve is used to manually stop system flow during pump servicing. Be sure the discharge pipe has a 1/8" diameter hole approx. 5" from end nearest volute and oriented towards the pump body.

Control Panel

Single phase series sewage pumps DO NOT require a control panel, but do require a level control.

Motor: Each motor is provided with heat sensor thermostats attached directly to the motor windings. The thermostats open if the motor windings see excessive heat and, in turn, open the motor contactor in the control panel when used, breaking the power to the pump. When the motor is stopped due to an overheated condition, it will not start until the motor has cooled.

Pre-operation

CHECK VOLTAGE AND PHASE

Before operating pump, check to make sure that voltage and phase information stamped on the pump's identification plate matches the available power.

CHECK PUMP ROTATION

Before putting pump into service for the first time, the motor rotation must be checked. Improper motor rotation can result in poor pump performance and can damage the motor and/or pump.

IDENTIFICATION PLATE

Note the numbers on the pumps identification plate and record in this manual for future reference.

Electrical Connections



Turn circuit breaker off before plugging or unplugging the switch and/or pump.

Always rely upon a Certified Electrician for installation.



Sewage Pumps Model: SWH & SWHD Series Receiving and Installation

It is recommended that the level control float should be set to insure that the liquid in the sump never drops below the top of the motor housing. The level control should have adequate clearance so it cannot hang up in its swing and that the pump is completely submerged when the level control is in the "Off " mode. Minimum tether length is 3.50".

By adjusting the cord tether the control level can be changed. **DO NOT USE THE POWER CABLE TO LIFT PUMP.**

Pump-Down Test - Be sure pump has been plugged in, lowered into the basin or sump, check the system by filling with liquid and allowing the pump to operate through its pumping cycle. The time needed to empty the system, or pump-down time along with the volume of water, should be recorded.

Thermal Protection

Motors are protected by a thermo-overload or thermo sensor depending on the model and single or three phase.

Maintenance

Minimal maintenance is required. Perform the following checks when pump is removed from operation or when pump performance deteriorates:

- a). Inspect motor chambers for oil level and contamination.
- b). Inspect impeller and body for excessive build-up or clogging.
- c). Inspect motor and bearings.
- d). Inspect seal for wear or leakage.

Servicing

Cooling Oil - Anytime the pump is removed from operation, the cooling oil in the motor housing should be checked visually for oil level and contamination. To check oil, set unit upright. Remove pipe plug from housing. With a flashlight, visually inspect the oil in the housing to make sure it is clean and clear, light amber in color and free from suspended particles. Milky white oil indicates the presence of water. Oil level should be just above the motor when pump is in vertical position.

Oil Testing

- Drain oil into a clean, dry container by placing pump on it's side. Remove pipe plug, from housing.
- Check oil for contamination using an oil tester with a range to 30 Kilovolts breakdown.
- If oil is found to be clean and uncontaminated (measuring above 15 KV. breakdown), refill the housing.

- If oil is found to be dirty or contaminated (or measures below 15 KV. breakdown), the pump must be carefully inspected for leaks at the shaft seal, cable assembly, o- ring and pipe plug, before refilling with oil. To locate the leak, perform the following pressure tests.

After leak is repaired, dispose of old oil properly, and refill with new oil.



Pressure builds up extremely fast, increase pressure by "TAPPING" air nozzle. Too much pressure will damage seal.
DO NOT exceed 10 P.S.I.

Motor Housing Pressure Test:

If oil has been drained, fill to normal level before performing pressure test. Remove pipe plug from motor housing.

Apply pipe sealant to pressure gauge assembly and tighten into hole. Pressurize motor housing to 10 P.S.I. Use soap solution around the sealed areas above the oil level and inspect joints for "air bubbles". For sealed areas below oil level, leaks will seep oil. If, after five minutes, the pressure is still holding constant, and no "bubbles" / oil seepage is observed, slowly bleed the pressure and remove the gauge assembly. Replace oil. Leak must be located and repaired if pressure does not hold.

Oil Replacement Motor Housing

Remove pipe plug from motor housing.

Drain all oil (if not already done so) from motor housing and dispose of properly per Local Code. Set pump upright and refill with new cooling oil, see "Cooling Oil" chart. Fill to just above motor (1.2L) as an air space must remain in the top of the motor housing to compensate for oil expansion. Apply pipe thread compound to threads of pipe plug then assemble to motor housing. Check that o-ring is in place and does not need to be replaced. Reassemble cord cap to motor housing.



DO NOT overfill oil. Overfilling of housing with oil can create excessive and dangerous hydraulic pressure which can destroy the pump and create a hazard. Overfilling oil voids warranty.

Cooling Oil Recommended Supplier/Grade

Cooling Oil Recommended Supplier/Grade	
Shell Diala	S2-2X-A
BP	Enerpar SE100
Conoco	Pale Paraffin 22
Mobile	D.T.E. Oil Light
Texaco	Diala-Oil-AX



WARNING Before any service work is done, disconnect and lock out electrical power to pump.



Sewage Pumps Model: SWH & SWHD Series Installation and Service

Volute - Remove socket head cap screws from volute.

Impeller - Remove impeller by turning counter-clockwise careful application of heat may be necessary. Do Not store pump without impeller in place.

Seal- Handle seal parts with care. Remove rotating member from shaft. Remove pressed-in spring component from seal plate. Examine all seal parts. Inspect contact faces for signs of uneven wear tracks on stationary face, chips and scratches on either seal face. DO NOT interchange seal components, replace the entire shaft seal if necessary.

Seal Plate - Remove cap screws from seal plate. Remove seal plate and o-ring.

Bearings - Using a bearing puller or arbor press remove bearing from shaft. Remove upper motor bearing from shaft with a bearing puller.



IMPORTANT! - All parts must be clean before reassembly. Handle seal parts with extreme care. DO NOT damage lapped surfaces.

REASSEMBLY

Bearing - Be careful not to damage the rotor shaft when replacing bearing. Using an arbor press, hold the rotor and press the upper bearing on the rotor shaft, applying force to the inner race of the bearing only. In the same manner replace lower bearing (49) onto rotor shaft.

Seal Plate - Lubricate and set o-ring in bottom of seal plate. Place seal plate over shaft, being sure o-ring is not twisted and in the groove. Place four capscrews through holes in motor housing and into seal plate and torque to 6.5 ft/lbs.

Outer Seal - Clean and oil stationary seal cavity in seal plate. Slide seal guide tool over motor shaft. Lightly oil (**Do not use grease**) outer surface of seal's stationary member.

Press stationary firmly into seal plate using a seal pusher tool. Be sure the stationary member is in straight. Nothing but the seal tool is to come in contact with seal face.



IMPORTANT ! Do not hammer on the seal pusher. It will damage the seal face.

With lapped surface of rotating member facing inward toward stationary, slide rotating member and onto shaft, until lapped faces of stationary and rotating seal are together.

Impeller - Place impeller on motor shaft by turning clockwise. Blue thread locking compound is recommended.

Volute - Place volute on seal plate. Place socket head cap screws through volute and into seal plate Then torque evenly to 11 ft/lbs.



Sewage Pumps Model: SWH & SWHD Series Installation and Service

Installing Pump in Sump

These pumps are usually installed in concrete or fiberglass basins with the lift-out rail system. Figure 3 shows pump mounted on the rail system. Instructions for installing rail system are furnished with rail package.

If pump is not installed with lift-out rail system it must be properly supported on legs and connected to discharge pipe so that space is provided under pump for entrance of sewage. Pump inlet should not be closer than 2 inches from bottom of sump.

It is not generally desirable to install these pumps without the rail system except on special O.E.M. packaged systems. Check valves should always be installed along with shut-off valves. This allows for easier service and prevents backflow into basin.

Starting Pump After Installing in Sump

Before lowering pump into basin, connect power lines and start motor. Impeller should turn counterclockwise when looking at impeller.

Service and Repair

Important: Pump should be thoroughly cleaned of trash and deposits before starting disassembly operations (pages 6-8).

⚠ WARNING

Disconnect all power and control wires to motor at control panel before starting disassembly operation. Never rely on opening circuit breaker only.

⚠ CAUTION

Operating pump builds up heat and pressure; allow time for pump to cool to room temperature

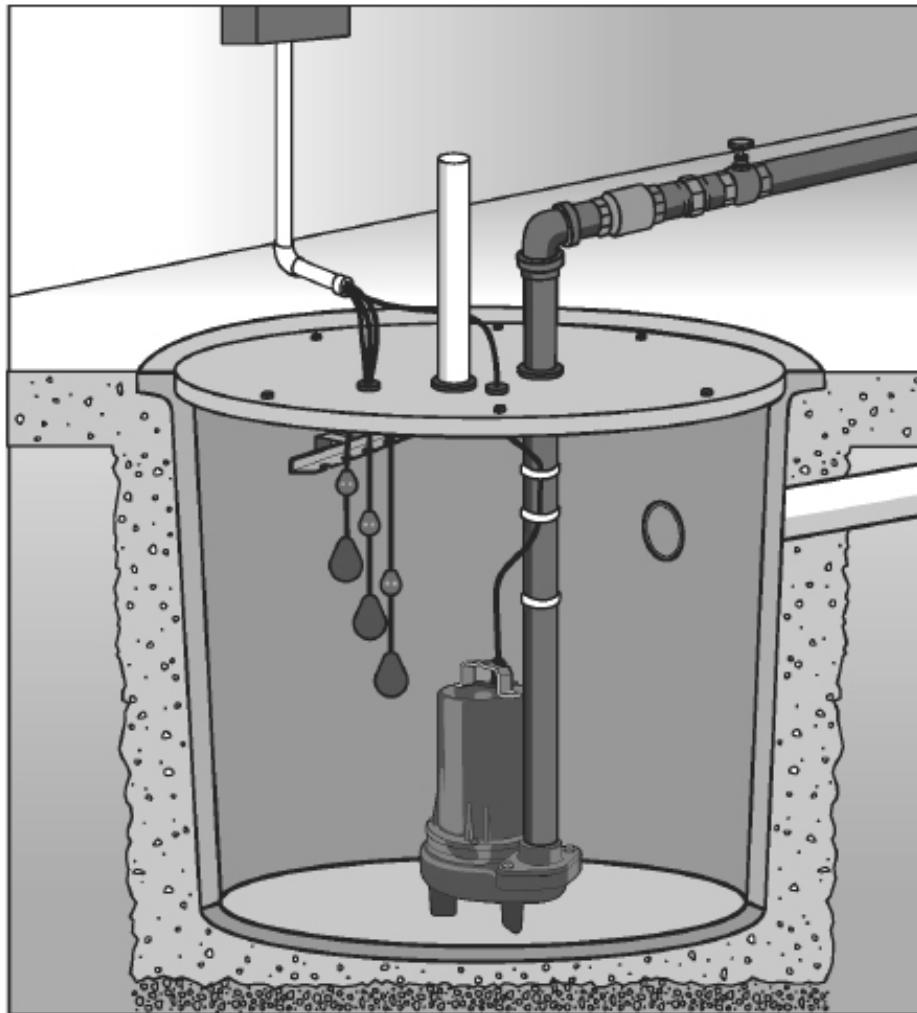


FIGURE 3



Sewage Pumps Model: SWH & SWHD Series Trouble Shooting

PROBLEMS	POSSIBLE CAUSES/SOLUTIONS
PUMP DOES NOT RUN AND MAKES HUMMING SOUND	<ul style="list-style-type: none"> Line circuit breaker is off, or fuse is blown or loose Water level in sump has not reached turn-on level as indicated in installation drawing. Pump cord is not making contact in receptacle. Float is stuck. It should operate freely in basin. If all of the above are OK, then the motor could be malfunctioning.
PUMP RUNS BUT DOES NOT DELIVER WATER	<ul style="list-style-type: none"> Check if valve is installed backwards. Arrow on valve should point direction of flow Discharge shut-off valve (if used) may be closed. Impeller or volute openings are fully or partially clogged. Remove pump and clean. Pump is air-locked. Start and stop several times by plugging and unplugging cord. Check for clogged vent hole in pump case. Inlet holes in pump base are clogged. Remove pump and clean the openings. Vertical pumping distance is too high. Reduce distance or change the discharge fittings of the pump.
PUMP RUNS AND PUMPS OUT SUMP, BUT DOES NOT STOP	<ul style="list-style-type: none"> Float is stuck in up position. Be sure float operates freely in basin. Defective float switch. Replace float switch.
PUMP RUNS BUT ONLY DELIVERS A SMALL AMOUNT OF WATER	<ul style="list-style-type: none"> Pump is air-locked. Start and stop several times by plugging in and unplugging cord. Check for clogged vent hole in pump case. Vertical pumping distance is too high. Reduce distance or change the discharge fitting of the pump. Inlet holes in pump base are clogged. Remove pump and clean the strainer and openings. Impeller or volute openings are fully or partially clogged. Remove pump and clean. Pump impeller is partially clogged with tar or paint, causing motor to run slow and overload. Remove pump and clean.
FUSE BLOWS OR CIRCUIT BREAKER TRIPS WHEN PUMP STARTS	<ul style="list-style-type: none"> Pump impeller is partially clogged causing motor to run slow and overload. Remove pump and clean. Motor stator may be defective. Fuse size or circuit breaker may be too small. Impeller or volute opening are fully or partially clogged. Remove pump and clean .
MOTOR RUNS FOR A SHORT TIME, THEN STOPS	<ul style="list-style-type: none"> Inlet holes in pump base are clogged. Remove pump and clean the openings. Pump impeller is partially clogged causing motor to run slow and overload. Remove pump and clean. Motor stator may be defective. Impeller or volute openings are fully or partially clogged. Remove pump and clean. Also clean the strainer if one is installed.

ELECTRICAL PRECAUTIONS

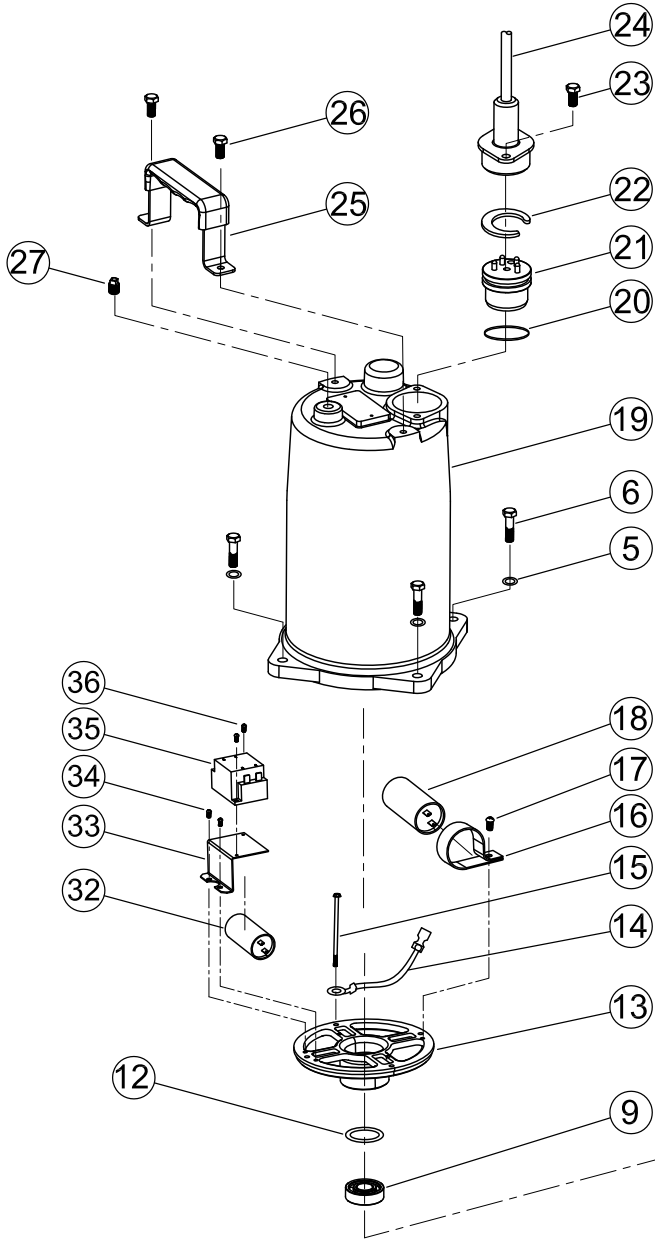


WARNING Before servicing a pump, always shut off the main power breaker and then unplug the pump. Make sure you are not standing in water and are wearing insulated protective sole shoes, under flooded conditions. Contact your local electric company or a qualified licensed electrician for disconnecting electrical service prior to pump removal

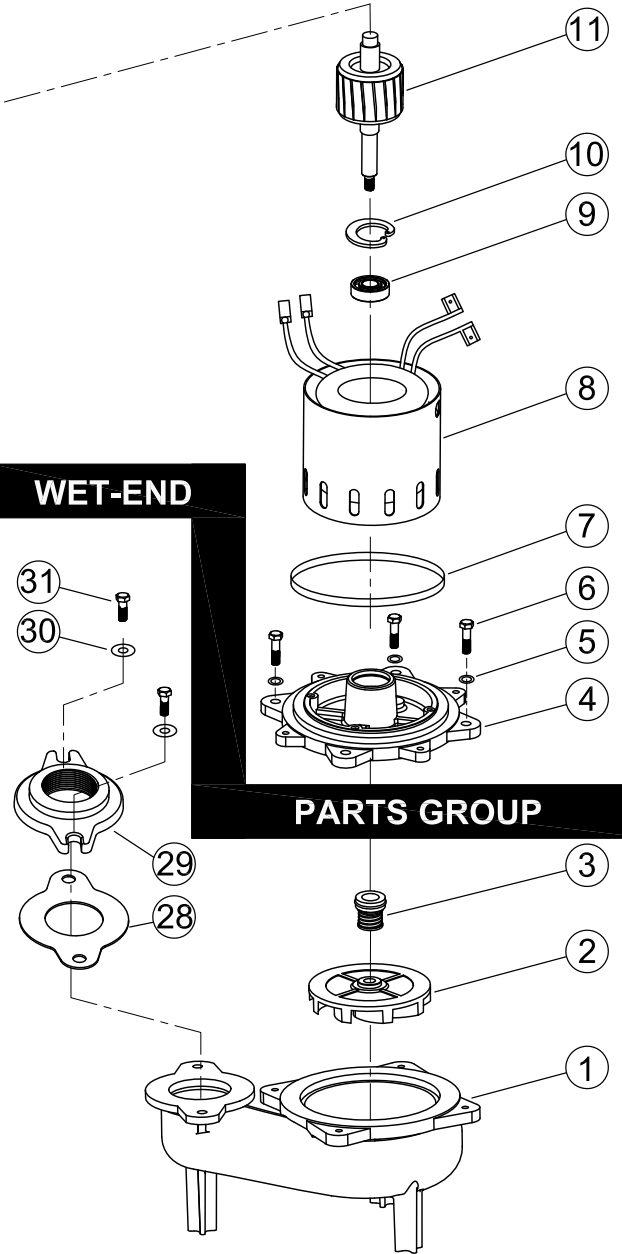


Sewage Pumps Model: SWH Series Parts

MOTOR PARTS GROUP



WET-END



PARTS GROUP



Sewage Pumps Model: SWH Series Parts

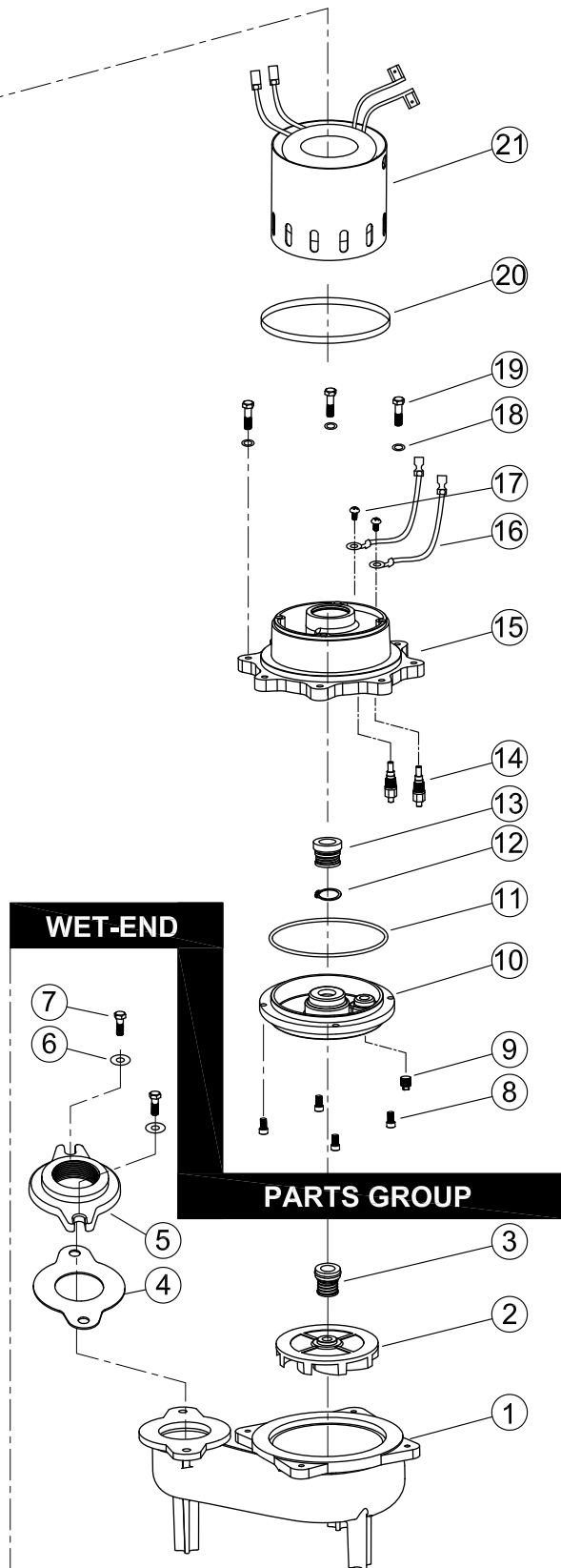
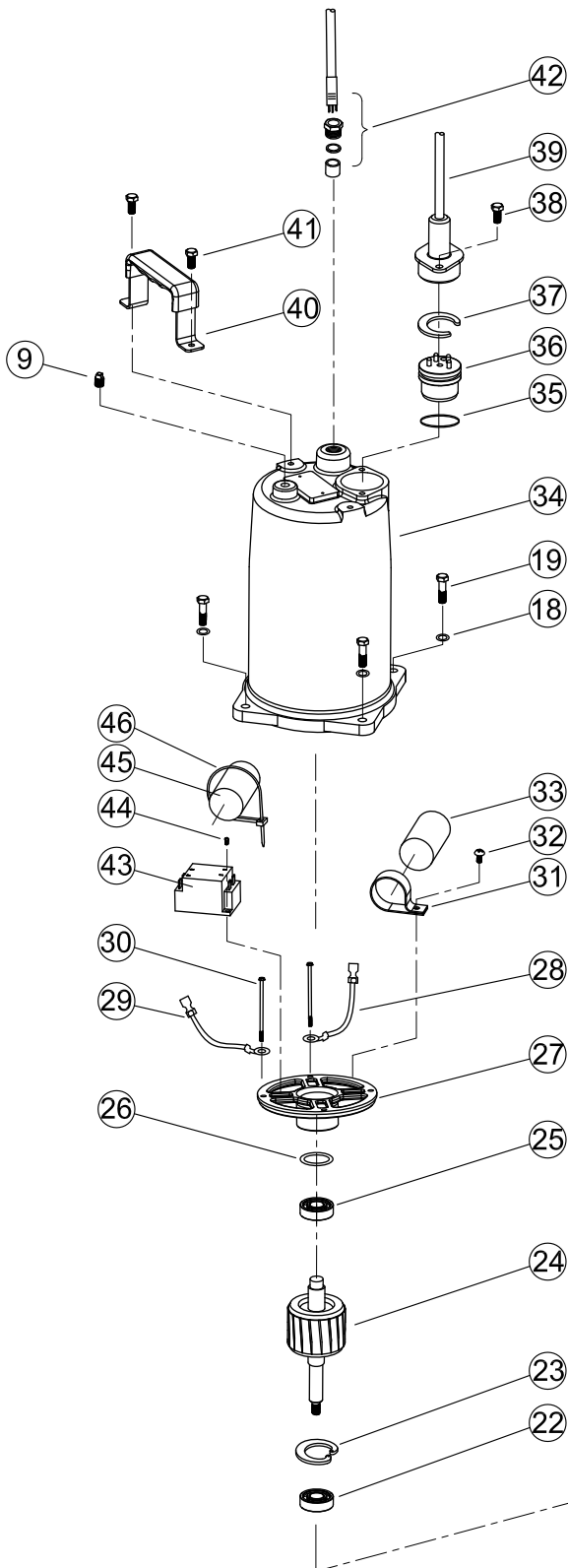
NO.	DESCRIPTION	PART NO. For Pump Models										QTY	
		SWH50M1-20	SWH50M2-20	SWH50M3-20	SWH50M4-20	SWH50M5-20	SWH50M6-20	SWH100M2-20	SWH100M3-20	SWH100M4-20	SWH100M5-20		SWH100M6-20
		115V/1PH	230V/1PH	230V/3PH	460V/3PH	208V/1PH	208V/3PH	230V/1PH	230V/3PH	460V/3PH	208V/1PH		208V/3PH
WET-END PARTS GROUP		091SH0502A	091SH0502A	091SH0502A	091SH0502A	091SH0502A	091SH0502A	091SH1002A	091SH1002A	091SH1002A	091SH1002A	091SH1002A	
1	VOLUTE	091SWH501	091SWH501	091SWH501	091SWH501	091SWH501	091SWH501	091SWH501	091SWH501	091SWH501	091SWH501	091SWH501	1
2	IMPELLER	091SWH502	091SWH502	091SWH502	091SWH502	091SWH502	091SWH502	091SWH102	091SWH102	091SWH102	091SWH102	091SWH102	1
3	SHAFT SEAL	091EP5003	091EP5003	091EP5003	091EP5003	091EP5003	091EP5003	091EP5003	091EP5003	091EP5003	091EP5003	091EP5003	1
28	GASKET	091SWH028	091SWH028	091SWH028	091SWH028	091SWH028	091SWH028	091SWH028	091SWH028	091SWH028	091SWH028	091SWH028	1
29	FLANGE	091SWH231	091SWH231	091SWH231	091SWH231	091SWH231	091SWH231	091SWH231	091SWH231	091SWH231	091SWH231	091SWH231	1
		091SWH331	091SWH331	091SWH331	091SWH331	091SWH331	091SWH331	091SWH331	091SWH331	091SWH331	091SWH331	091SWH331	1
30	SCREW	091SWH030	091SWH030	091SWH030	091SWH030	091SWH030	091SWH030	091SWH030	091SWH030	091SWH030	091SWH030	091SWH030	2
31	WASHER	091SWH031	091SWH031	091SWH031	091SWH031	091SWH031	091SWH031	091SWH031	091SWH031	091SWH031	091SWH031	091SWH031	2
MOTOR PARTS GROUP		091SH0509A	091SH0510A	091SH0511A	091SH0511A	091SH0512A	091SH0511A	091SH1009A	091SH1010A	091SH1010A	091SH1011A	091SH1010A	
4	SEAL PLATE	091EP5004	091EP5004	091EP5004	091EP5004	091EP5004	091EP5004	091EP5004	091EP5004	091EP5004	091EP5004	091EP5004	1
5	WASHER	091EP5005	091EP5005	091EP5005	091EP5005	091EP5005	091EP5005	091EP5005	091EP5005	091EP5005	091EP5005	091EP5005	8
6	SCREW	091EP5006	091EP5006	091EP5006	091EP5006	091EP5006	091EP5006	091EP5006	091EP5006	091EP5006	091EP5006	091EP5006	8
7	O-RING	091EP5007	091EP5007	091EP5007	091EP5007	091EP5007	091EP5007	091EP5007	091EP5007	091EP5007	091EP5007	091EP5007	1
8	STATOR ASSY	091SWH519	091EP7509	091SWH539	091SWH549	091EP7509	091SWH539	091EP1009	091EP1039	091EP1049	091EP1009	091EP1039	1
9	BEARING	091EP5010	091EP5010	091EP5010	091EP5010	091EP5010	091EP5010	091EP5010	091EP5010	091EP5010	091EP5010	091EP5010	2
10	C-RING	091EP5011	091EP5011	091EP5011	091EP5011	091EP5011	091EP5011	091EP5011	091EP5011	091EP5011	091EP5011	091EP5011	1
11	ROTOR ASSY	091SH0512	091SH0512	091SH0512	091SH0512	091SH0512	091SH0512	091SH1012	091SH1012	091SH1012	091SH1012	091SH1012	1
12	SPRING WASHER	091EP5013	091EP5013	091EP5013	091EP5013	091EP5013	091EP5013	091EP5013	091EP5013	091EP5013	091EP5013	091EP5013	1
13	TOP COVER	091EP5014	091EP5014	091EP5014	091EP5014	091EP5014	091EP5014	091EP5014	091EP5014	091EP5014	091EP5014	091EP5014	1
14	GROUND LINE	091EP5015	091EP5015	091EP5315	091EP5315	091EP5015	091EP5315	091EP5015	091EP5315	091EP5315	091EP5015	091EP5315	1
15	SCREW	091SH0516	091SH0516	091SH0516	091SH0516	091SH0516	091SH0516	091SH1016	091SH1016	091SH1016	091SH1016	091SH1016	4
16	CLAMP	091EP5017	091EP5017	NONE	NONE	091EP5017	NONE	091EP5017	NONE	NONE	091EP5017	NONE	1
17	SCREW	091EP5018	091EP5018	NONE	NONE	091EP5018	NONE	091EP5018	NONE	NONE	091EP5018	NONE	1
18	RUN CAPACITOR	091EP5019	091EP5019	NONE	NONE	091EP5019	NONE	091EP5019	NONE	NONE	091EP5019	NONE	1
19	HOUSING	091EP5020	091EP5020	091EP5020	091EP5020	091EP5020	091EP5020	091EP5020	091EP5020	091EP5020	091EP5020	091EP5020	1
20	O-RING	091EP5021	091EP5021	091EP5021	091EP5021	091EP5021	091EP5021	091EP5021	091EP5021	091EP5021	091EP5021	091EP5021	1
21	ADAPTER	091EP5022	091EP5022	091EP5322	091EP5322	091EP5022	091EP5322	091EP5022	091EP5322	091EP5322	091EP5022	091EP5322	1
22	RETAINER RING	091EP5023	091EP5023	091EP5023	091EP5023	091EP5023	091EP5023	091EP5023	091EP5023	091EP5023	091EP5023	091EP5023	1
23	SCREW	091EP5024	091EP5024	091EP5024	091EP5024	091EP5024	091EP5024	091EP5024	091EP5024	091EP5024	091EP5024	091EP5024	2
24	POWER CORD	091EP5025	091EP5026	091EP5326	091EP5326	091EP5026	091EP5326	091EP5026	091EP5326	091EP5326	091EP5026	091EP5326	1
25	HANDLE	091EP5027	091EP5027	091EP5027	091EP5027	091EP5027	091EP5027	091EP5027	091EP5027	091EP5027	091EP5027	091EP5027	1
26	SCREW	091EP5028	091EP5028	091EP5028	091EP5028	091EP5028	091EP5028	091EP5028	091EP5028	091EP5028	091EP5028	091EP5028	2
27	NUT	091EP5029	091EP5029	091EP5029	091EP5029	091EP5029	091EP5029	091EP5029	091EP5029	091EP5029	091EP5029	091EP5029	1
32	START CAPACITOR	NONE	NONE	NONE	NONE	NONE	NONE	NONE	NONE	NONE	NONE	NONE	1
33	MOUNTING BRACKET	NONE	NONE	NONE	NONE	NONE	NONE	NONE	NONE	NONE	NONE	NONE	1
34	SCREW	NONE	NONE	NONE	NONE	NONE	NONE	NONE	NONE	NONE	NONE	NONE	2
35	RELAY SWITCH	NONE	NONE	NONE	NONE	NONE	NONE	NONE	NONE	NONE	NONE	NONE	1
36	SCREW	NONE	NONE	NONE	NONE	NONE	NONE	NONE	NONE	NONE	NONE	NONE	2



Sewage Pumps Model: SWH Series Parts

NO.	DESCRIPTION	PART NO. For Pump Models										QTY
		SWH150M2-20	SWH150M3-20	SWH150M4-20	SWH150M5-20	SWH150M6-20	SWH200M2-20	SWH200M3-20	SWH200M4-20	SWH200M5-20	SWH200M6-20	
		230V/1PH	230V/3PH	460V/3PH	208V/1PH	208V/3PH	230V/1PH	230V/3PH	460V/3PH	208V/1PH	208V/3PH	
WET-END PARTS GROUP		091SH1502A	091SH1502A	091SH1502A	091SH1502A	091SH1502A	091SH2002A	091SH2002A	091SH2002A	091SH2002A	091SH2002A	
1	VOLUTE	091SWH501	091SWH501	091SWH501	091SWH501	091SWH501	091SWH501	091SWH501	091SWH501	091SWH501	091SWH501	1
2	IMPELLER	091SWH152	091SWH152	091SWH152	091SWH152	091SWH152	091SWH202	091SWH202	091SWH202	091SWH202	091SWH202	1
3	SHAFT SEAL	091EP5003	091EP5003	091EP5003	091EP5003	091EP5003	091EP5003	091EP5003	091EP5003	091EP5003	091EP5003	1
28	GASKET	091SWH028	091SWH028	091SWH028	091SWH028	091SWH028	091SWH028	091SWH028	091SWH028	091SWH028	091SWH028	1
29	FLANGE	091SWH231	091SWH231	091SWH231	091SWH231	091SWH231	091SWH231	091SWH231	091SWH231	091SWH231	091SWH231	1
		091SWH331	091SWH331	091SWH331	091SWH331	091SWH331	091SWH331	091SWH331	091SWH331	091SWH331	091SWH331	1
30	SCREW	091SWH030	091SWH030	091SWH030	091SWH030	091SWH030	091SWH030	091SWH030	091SWH030	091SWH030	091SWH030	2
31	WASHER	091SWH031	091SWH031	091SWH031	091SWH031	091SWH031	091SWH031	091SWH031	091SWH031	091SWH031	091SWH031	2
MOTOR PARTS GROUP		091SH1509A	091SH1510A	091SH1510A	091SH1511A	091SH1510A	091SH2009A	091SH2010A	091SH2010A	091SH2011A	091SH2010A	
4	SEAL PLATE	091EP5004	091EP5004	091EP5004	091EP5004	091EP5004	091SW2004	091EP5004	091EP5004	091SW2004	091EP5004	1
5	WASHER	091EP5005	091EP5005	091EP5005	091EP5005	091EP5005	091EP5005	091EP5005	091EP5005	091EP5005	091EP5005	8
6	SCREW	091EP5006	091EP5006	091EP5006	091EP5006	091EP5006	091EP5006	091EP5006	091EP5006	091EP5006	091EP5006	8
7	O-RING	091EP5007	091EP5007	091EP5007	091EP5007	091EP5007	091SWHD20	091EP5007	091EP5007	091SWHD20	091EP5007	1
8	STATOR ASSY	091SH1509	091SH1539	091SH1549	091SH1529	091 SH 1539	091SH2009	091SH2039	091SH2049	091SH2009	091SH2039	1
9	BEARING	091EP5010	091EP5010	091EP5010	091EP5010	091EP5010	091EP5010	091EP5010	091EP5010	091EP5010	091EP5010	2
10	C-RING	091EP5011	091EP5011	091EP5011	091EP5011	091EP5011	091EP5011	091EP5011	091EP5011	091EP5011	091EP5011	1
11	ROTOR ASSY	091SH1512	091SH1512	091SH1512	091SH1512	091SH1512	091SH2011	091SH2012	091SH2012	091SH2011	091SH2012	1
12	SPRING WASHER	091EP5013	091EP5013	091EP5013	091EP5013	091EP5013	091EP5013	091EP5013	091EP5013	091EP5013	091EP5013	1
13	TOP COVER	091EP5014	091EP5014	091EP5014	091EP5014	091EP5014	091SWHD27	091EP5014	091EP5014	091SWHD27	091EP5014	1
14	GROUND LINE	091EP5015	091EP5315	091EP5315	091EP5015	091EP5315	091EP5015	091EP5315	091EP5315	091EP5015	091EP5315	1
15	SCREW	091SH1016	091SH1016	091SH1016	091SH1016	091SH1016	091SH2016	091SH2016	091SH2016	091SH2016	091SH2016	4
16	CLAMP	091EP5017	NONE	NONE	091EP5017	NONE	091EP5017	NONE	NONE	091EP5017	NONE	1
17	SCREW	091EP5018	NONE	NONE	091EP5018	NONE	091EP5018	NONE	NONE	091EP5018	NONE	1
18	RUN CAPACITOR	091EP5019	NONE	NONE	091EP5019	NONE	091EP5019	NONE	NONE	091EP5019	NONE	1
19	HOUSING	091EP5020	091EP5020	091EP5020	091EP5020	091EP5020	091SH2020	091EP5020	091EP5020	091SH2020	091EP5020	1
20	O-RING	091EP5021	091EP5021	091EP5021	091EP5021	091EP5021	091EP5021	091EP5021	091EP5021	091EP5021	091EP5021	1
21	ADAPTER	091EP5022	091EP5322	091EP5322	091EP5022	091EP5322	091EP5022	091EP5322	091EP5322	091EP5022	091EP5322	1
22	RETAINER RING	091EP5023	091EP5023	091EP5023	091EP5023	091EP5023	091EP5023	091EP5023	091EP5023	091EP5023	091EP5023	1
23	SCREW	091EP5024	091EP5024	091EP5024	091EP5024	091EP5024	091EP5024	091EP5024	091EP5024	091EP5024	091EP5024	2
24	POWER CORD	091EP1526	091EP5326	091EP5326	091EP1526	091EP5326	091EP1526	091EP5326	091EP5326	091SWH226	091EP5326	1
25	HANDLE	091EP5027	091EP5027	091EP5027	091EP5027	091EP5027	091EP5027	091EP5027	091EP5027	091EP5027	091EP5027	1
26	SCREW	091EP5028	091EP5028	091EP5028	091EP5028	091EP5028	091EP5028	091EP5028	091EP5028	091EP5028	091EP5028	2
27	NUT	091EP5029	091EP5029	091EP5029	091EP5029	091EP5029	091EP5029	091EP5029	091EP5029	091EP5029	091EP5029	1
32	START CAPACITOR	NONE	NONE	NONE	NONE	NONE	091AGPH40	NONE	NONE	091AGPH40	NONE	1
33	MOUNTING BRACKET	NONE	NONE	NONE	NONE	NONE	091AGPR27	NONE	NONE	091AGPR27	NONE	1
34	SCREW	NONE	NONE	NONE	NONE	NONE	091AGPH35	NONE	NONE	091AGPH35	NONE	2
35	RELAY SWITCH	NONE	NONE	NONE	NONE	NONE	091AGPR29	NONE	NONE	091AGPR29	NONE	1
36	SCREW	NONE	NONE	NONE	NONE	NONE	091AGPR30	NONE	NONE	091AGPR30	NONE	2

MOTOR PARTS GROUP





Sewage Pumps Model: SWHD Series Parts

NO.	DESCRIPTION	PART NO. For Pump Models										QTY
		SWHD100M2-20	SWHD100M3-20	SWHD100M4-20	SWHD100M5-20	SWHD100M6-20	SWHD150M2-20	SWHD150M3-20	SWHD150M4-20	SWHD150M5-20	SWHD150M6-20	
		230V/1PH	230V/3PH	460V/3PH	208V/1PH	208V/3PH	230V/1PH	230V/3PH	460V/3PH	208V/1PH	208V/3PH	
WET-END PARTS GROUP		091SD1002A	091SD1002A	091SD1002A	091SD1002A	091SD1002A	091SD1502A	091SD1502A	091SD1502A	091SD1502A	091SD1502A	
1	VOLUTE	091SWHD01	091SWHD01	091SWHD01	091SWHD01	091SWHD01	091SWHD01	091SWHD01	091SWHD01	091SWHD01	091SWHD01	1
2	IMPELLER	091SWH102	091SWH102	091SWH102	091SWH102	091SWH102	091SWH152	091SWH152	091SWH152	091SWH152	091SWH152	1
3	SHAFT-SEAL	091EP5003	091EP5003	091EP5003	091EP5003	091EP5003	091EP5003	091EP5003	091EP5003	091EP5003	091EP5003	1
4	GASKET	091SWH028	091SWH028	091SWH028	091SWH028	091SWH028	091SWH028	091SWH028	091SWH028	091SWH028	091SWH028	1
5	FLANGE	091SWH231	091SWH231	091SWH231	091SWH231	091SWH231	091SWH231	091SWH231	091SWH231	091SWH231	091SWH231	1
		091SWH331	091SWH331	091SWH331	091SWH331	091SWH331	091SWH331	091SWH331	091SWH331	091SWH331	091SWH331	1
6	SCREW	091SWH030	091SWH030	091SWH030	091SWH030	091SWH030	091SWH030	091SWH030	091SWH030	091SWH030	091SWH030	2
7	WASHER	091SWH031	091SWH031	091SWH031	091SWH031	091SWH031	091SWH031	091SWH031	091SWH031	091SWH031	091SWH031	2
MOTOR PARTS GROUP		091SD1021A	091SD1023A	091SD1023A	091SD1021A	091SD1023A	091SD1521A	091SD1523A	091SD1523A	091SD1521A	091SD1523A	
8	SCREW	091SWHD08	091SWHD08	091SWHD08	091SWHD08	091SWHD08	091SWHD08	091SWHD08	091SWHD08	091SWHD08	091SWHD08	4
9	NUT	091EP5029	091EP5029	091EP5029	091EP5029	091EP5029	091EP5029	091EP5029	091EP5029	091EP5029	091EP5029	2
10	SEAL PLATE-DOWN	091SWHD10	091SWHD10	091SWHD10	091SWHD10	091SWHD10	091SWHD10	091SWHD10	091SWHD10	091SWHD10	091SWHD10	1
11	O-RING	091SWHD11	091SWHD11	091SWHD11	091SWHD11	091SWHD11	091SWHD11	091SWHD11	091SWHD11	091SWHD11	091SWHD11	1
12	C-RING	091SWHD12	091SWHD12	091SWHD12	091SWHD12	091SWHD12	091SWHD12	091SWHD12	091SWHD12	091SWHD12	091SWHD12	1
13	SHAFT-SEAL	091SWHD13	091SWHD13	091SWHD13	091SWHD13	091SWHD13	091SWHD13	091SWHD13	091SWHD13	091SWHD13	091SWHD13	1
14	SENSOR	091SWHD14	091SWHD14	091SWHD14	091SWHD14	091SWHD14	091SWHD14	091SWHD14	091SWHD14	091SWHD14	091SWHD14	2
15	SEAL PLATE-UP	091SWHD15	091SWHD15	091SWHD15	091SWHD15	091SWHD15	091SWHD15	091SWHD15	091SWHD15	091SWHD15	091SWHD15	1
16	SENSOR LINE	091SWHD16	091SWHD16	091SWHD16	091SWHD16	091SWHD16	091SWHD16	091SWHD16	091SWHD16	091SWHD16	091SWHD16	2
17	SCREW	091SWHD17	091SWHD17	091SWHD17	091SWHD17	091SWHD17	091SWHD17	091SWHD17	091SWHD17	091SWHD17	091SWHD17	2
18	WASHER	091EP5005	091EP5005	091EP5005	091EP5005	091EP5005	091EP5005	091EP5005	091EP5005	091EP5005	091EP5005	8
19	SCREW	091EP5006	091EP5006	091EP5006	091EP5006	091EP5006	091EP5006	091EP5006	091EP5006	091EP5006	091EP5006	8
20	O-RING	091SWHD20	091SWHD20	091SWHD20	091SWHD20	091SWHD20	091SWHD20	091SWHD20	091SWHD20	091SWHD20	091SWHD20	1
21	STATOR ASSY	091SD1021	091SD1023	091SD1023	091SD1021	091SD1023	091SD1521	091SD1523	091SD1523	091SD1521	091SD1523	1
22	BRARING	091SWHD22	091SWHD22	091SWHD22	091SWHD22	091SWHD22	091SWHD22	091SWHD22	091SWHD22	091SWHD22	091SWHD22	1
23	C-RING	091SWHD23	091SWHD23	091SWHD23	091SWHD23	091SWHD23	091SWHD23	091SWHD23	091SWHD23	091SWHD23	091SWHD23	1
24	ROTOR ASSY	091SD1024	091SD1024	091SD1024	091SD1024	091SD1024	091SD1524	091SD1524	091SD1524	091SD1524	091SD1524	1
25	BRARING	091EP5010	091EP5010	091EP5010	091EP5010	091EP5010	091EP5010	091EP5010	091EP5010	091EP5010	091EP5010	1
26	SPRING WASHER	091EP5013	091EP5013	091EP5013	091EP5013	091EP5013	091EP5013	091EP5013	091EP5013	091EP5013	091EP5013	1
27	TOP COVER	091SWHD27	091SWHD27	091SWHD27	091SWHD27	091SWHD27	091SWHD27	091SWHD27	091SWHD27	091SWHD27	091SWHD27	1
28	GROUND LINE	091SWHD28	091SWHD28	091SWHD28	091SWHD28	091SWHD28	091SWHD28	091SWHD28	091SWHD28	091SWHD28	091SWHD28	1
29	GROUND LINE	091EP5015	091EP5315	091EP5315	091EP5015	091EP5315	091EP5015	091EP5315	091EP5315	091EP5015	091EP5315	1
30	SCREW	091SD1030	091SD1030	091SD1030	091SD1030	091SD1030	091SD1030	091SD1030	091SD1030	091SD1030	091SD1030	4
31	CLMP	091EP5017	NONE	NONE	091EP5017	NONE	091EP5017	NONE	NONE	091EP5017	NONE	1
32	SCREW	091EP5018	NONE	NONE	091EP5018	NONE	091EP5018	NONE	NONE	091EP5018	NONE	1
33	CAPACITOR	091EP5019	NONE	NONE	091EP5019	NONE	091EP5019	NONE	NONE	091EP5019	NONE	1
34	HOUSING	091SWHD34	091SWHD34	091SWHD34	091SWHD34	091SWHD34	091SWHD34	091SWHD34	091SWHD34	091SWHD34	091SWHD34	1
35	O-RING	091EP5021	091EP5021	091EP5021	091EP5021	091EP5021	091EP5021	091EP5021	091EP5021	091EP5021	091EP5021	1
36	ADAPTER	091EP5022	091EP5322	091EP5322	091EP5022	091EP5322	091EP5022	091EP5322	091EP5322	091EP5022	091EP5322	1
37	RETAINER RING	091EP5023	091EP5023	091EP5023	091EP5023	091EP5023	091EP5023	091EP5023	091EP5023	091EP5023	091EP5023	1
38	SCREW	091EP5024	091EP5024	091EP5024	091EP5024	091EP5024	091EP5024	091EP5024	091EP5024	091EP5024	091EP5024	2
39	POWER CORD	091EP5026	091EP5326	091EP5326	091EP5026	091EP5326	091EP1526	091EP5326	091EP5326	091EP1526	091EP5326	1
40	HANDLE	091EP5027	091EP5027	091EP5027	091EP5027	091EP5027	091EP5027	091EP5027	091EP5027	091EP5027	091EP5027	1
41	SCREW	091EP5028	091EP5028	091EP5028	091EP5028	091EP5028	091EP5028	091EP5028	091EP5028	091EP5028	091EP5028	2
42	SENSOR CORD ASSY	091SWHD42	091SWHD42	091SWHD42	091SWHD42	091SWHD42	091SWHD42	091SWHD42	091SWHD42	091SWHD42	091SWHD42	1
43	RELAY SWITCH	NONE	NONE	NONE	NONE	NONE	NONE	NONE	NONE	NONE	NONE	1
44	SCREW	NONE	NONE	NONE	NONE	NONE	NONE	NONE	NONE	NONE	NONE	1
45	START CAPACITOR	NONE	NONE	NONE	NONE	NONE	NONE	NONE	NONE	NONE	NONE	1
46	TIE	NONE	NONE	NONE	NONE	NONE	NONE	NONE	NONE	NONE	NONE	2



Sewage Pumps

Model: SWHD Series

Parts

NO.	DESCRIPTION	PART NO. For Pump Models					QTY
		SWHD200M2-20	SWHD200M3-20	SWHD200M4-20	SWHD200M5-20	SWHD200M6-20	
		230V/1PH	230V/3PH	460V/3PH	208V/1PH	208V/3PH	
WET-END PARTS GROUP		091SD2002A	091SD2002A	091SD2002A	091SD2002A	091SD2002A	
1	VOLUTE	091SWHD01	091SWHD01	091SWHD01	091SWHD01	091SWHD01	1
2	IMPELLER	091SWH202	091SWH202	091SWH202	091SWH202	091SWH202	1
3	SHAFT-SEAL	091EP5003	091EP5003	091EP5003	091EP5003	091EP5003	1
4	GASKET	091SWH028	091SWH028	091SWH028	091SWH028	091SWH028	1
5	FLANGE	091SWH231	091SWH231	091SWH231	091SWH231	091SWH231	1
		091SWH331	091SWH331	091SWH331	091SWH331	091SWH331	1
6	SCREW	091SWH030	091SWH030	091SWH030	091SWH030	091SWH030	2
7	WASHER	091SWH031	091SWH031	091SWH031	091SWH031	091SWH031	2
MOTOR PARTS GROUP		091SD2021A	091SD2023A	091SD2023A	091SD2021A	091SD2023A	
8	SCREW	091SWHD08	091SWHD08	091SWHD08	091SWHD08	091SWHD08	4
9	NUT	091EP5029	091EP5029	091EP5029	091EP5029	091EP5029	2
10	SEAL PLATE-DOWN	091SWHD10	091SWHD10	091SWHD10	091SWHD10	091SWHD10	1
11	O-RING	091SWHD11	091SWHD11	091SWHD11	091SWHD11	091SWHD11	1
12	C-RING	091SWHD12	091SWHD12	091SWHD12	091SWHD12	091SWHD12	1
13	SHAFT-SEAL	091SWHD13	091SWHD13	091SWHD13	091SWHD13	091SWHD13	1
14	SENSOR	091SWHD14	091SWHD14	091SWHD14	091SWHD14	091SWHD14	2
15	SEAL PLATE-UP	091SWHD15	091SWHD15	091SWHD15	091SWHD15	091SWHD15	1
16	SENSOR LINE	091SWHD16	091SWHD16	091SWHD16	091SWHD16	091SWHD16	2
17	SCREW	091SWHD17	091SWHD17	091SWHD17	091SWHD17	091SWHD17	2
18	WASHER	091EP5005	091EP5005	091EP5005	091EP5005	091EP5005	8
19	SCREW	091EP5006	091EP5006	091EP5006	091EP5006	091EP5006	8
20	O-RING	091SWHD20	091SWHD20	091SWHD20	091SWHD20	091SWHD20	1
21	STATOR ASSY	091SD2021	091SD2023	091SD2023	091SD2021	091SD2023	1
22	BRARING	091SWHD22	091SWHD22	091SWHD22	091SWHD22	091SWHD22	1
23	C-RING	091SWHD23	091SWHD23	091SWHD23	091SWHD23	091SWHD23	1
24	ROTOR ASSY	091SD2024	091SD2024	091SD2024	091SD2024	091SD2024	1
25	BRARING	091EP5010	091EP5010	091EP5010	091EP5010	091EP5010	1
26	SPRING WASHER	091EP5013	091EP5013	091EP5013	091EP5013	091EP5013	1
27	TOP COVER	091SWHD27	091SWHD27	091SWHD27	091SWHD27	091SWHD27	1
28	GROUND LINE	091SWHD28	091SWHD287	091SWHD28	091SWHD28	091SWHD28	1
29	GROUND LINE	091EP5015	091EP5315	091EP5315	091EP5015	091EP5315	1
30	SCREW	091SD2030	091SD2030	091SD2030	091SD2030	091SD2030	4
31	CLMP	091EP5017	NONE	NONE	091EP5017	NONE	1
32	SCREW	091EP5018	NONE	NONE	091EP5018	NONE	1
33	CAPACITOR	091EP5019	NONE	NONE	091EP5019	NONE	1
34	HOUSING	091SWHD34	091SWHD34	091SWHD34	091SWHD34	091SWHD34	1
35	O-RING	091EP5021	091EP5021	091EP5021	091EP5021	091EP5021	1
36	ADAPTER	091EP5022	091EP5322	091EP5322	091EP5022	091EP5322	1
37	RETAINER RING	091EP5023	091EP5023	091EP5023	091EP5023	091EP5023	1
38	SCREW	091EP5024	091EP5024	091EP5024	091EP5024	091EP5024	2
39	POWER CORD	091EP1526	091EP5326	091EP5326	091SWH226	091EP5326	1
40	HANDLE	091EP5027	091EP5027	091EP5027	091EP5027	091EP5027	1
41	SCREW	091EP5028	091EP5028	091EP5028	091EP5028	091EP5028	2
42	SENSOR CORD ASSY	091SWHD42	091SWHD42	091SWHD42	091SWHD42	091SWHD42	1
43	RELAY SWITCH	091AGPR29	NONE	NONE	091AGPR29	NONE	1
44	SCREW	091AGPR30	NONE	NONE	091AGPR30	NONE	1
45	START CAPACITOR	091AGPH40	NONE	NONE	091AGPH40	NONE	1
46	TIE	091SWHD46	NONE	NONE	091SWHD46	NONE	2



Sewage Pumps Model: SWH & SWHD Series Warranty

For a period of time no greater than three (3) years after the original purchase of the subject product, and subject to the conditions of this Limited Warranty, Ashland Pump will repair or replace for the original purchaser only, any portion of your new Ashland Pump product that proves to contain defective materials or defective workmanship, provided the product is properly installed, serviced and operated under normal conditions and according to the manufacturer's instructions. Ashland Pump disclaims all liability, including liability under this Limited Warranty, for improper installation, application or use of its products. Ashland Pump shall have and possess the sole discretion to determine whether to repair or replace defective equipment, parts or components with a new or remanufactured part. Any item to be replaced under this Warranty must be returned to Ashland Pump, or such other place as Ashland Pump may designate, freight prepaid. In the absence of suitable proof of purchase date, the effective date of this warranty will be based upon the date of manufacture as evidenced by the serial number of the product.

There is no other express or implied warranty covering your Ashland Pump product. Without limiting the foregoing, Ashland Pump specifically disclaims the implied warranties of merchantability and fitness for a particular purpose. No warranties or representations at any time made by any representative of Ashland Pump shall vary or expand the provisions of this written Limited Warranty. This Limited Warranty contains the purchaser's exclusive remedy for any alleged defect in the product.

To the greatest extent permissible by applicable law, Ashland Pump shall not be liable or responsible for consequential, incidental or special damages resulting from or related in any manner to any Ashland Pump product or parts. Personal injury and/or property damage may result from improper installation, application or use of your Ashland Pump product. Ashland Pump shall not be liable for any loss, damage, or expenses resulting from the installation or use of its products other than as expressly set forth in this Limited Warranty. Ashland Pump shall in no event be responsible or liable for the cost of field labor or other charges incurred by any purchaser or user in removing and/or reaffixing any Ashland Pump product, part or component or any temporary pumping or other equipment. Some states do not allow the exclusion or limitation of incidental or consequential damages, so the above limitation or exclusion may not apply to you.



Honest, Professional, Dependable

1899 Cottage Street, Ashland, Ohio 44805
Telephone: 855 281-6830 • Fax: 877 326-1994
ashlandpump.com



P U M P

MANUAL DE OPERACIÓN, FUNCIONAMIENTO,
ESPECIFICACIONES Y PIEZAS

SWH50/SWH100/SWH150/ SWH200 & SWHD100/ SWHD150/SWHD200 Trabajo Pesado Bombas de Agua



SWHD100/SWHD150/SWHD200

SWH50/SWH100/SWH150/SWH200

- Gracias por comprar esta bomba. Tómese el tiempo para leer con cuidado las instrucciones antes de usar el producto. Recomendaríamos que guardase este manual de instrucción en un sitio seguro para referencia de un futuro.
- Por favor refiera a nuestro sitio de web y centro de productos para instrucciones de instalación y operación adicional y información de Piezas de repuesto.

MARCAS Y SIGNIFICADO

⚠ PELIGRO "Peligro", indica una situación peligrosa inminente que, si no se evita, PROVOCARÁ muerte o lesión grave.

⚠ ADVERTENCIA "Advertencia" indica una situación peligrosa inminente que, si no se evita, PUEDE causar muerte o lesión grave.

⚠ PRECAUCION "Precaución", indica una situación peligrosa que, si no se evita, PUEDE causar lesión leve o moderada.

IMPORTANTE

Antes de la instalación, registrar Número de Modelo, MFG fecha, amperaje, voltaje, fase y HP de placa de la unidad para futuras referencias. También registre el voltaje y lecturas de corriente en el arranque:

Modelos de 1 Fase		Número Modelo: _____
Amps:	Volts:	MFG Fecha: _____
Modelos de 3 Fase		Fase: _____
Amps L1-2:	Volts L1-2:	HP: _____
Amps L2-3:	Volts L2-3:	SN: _____
Amps L3-1:	Volts L3-1:	



Bombas de Agua Residual

Modelos: SWH/SWHD Serie

Información General de Seguridad

Antes de la instalación, lea atentamente las siguientes instrucciones. De no seguirse las indicaciones e información de seguridad, se podrían causar serios daños personales, muerte y/o daño a la propiedad. Las bombas Ashland Pump son probadas individualmente en la fábrica para asegurar su apropiado desempeño. Seguir cuidadosamente estas indicaciones, eliminará potenciales problemas operativos, asegurando años de servicio sin problemas.

La mayoría de los accidentes se pueden evitar mediante el uso del sentido común.

IMPORTANTE - Ashland Pump no se hace responsable por las pérdidas, lesiones o muertes resultado del incumplimiento de estas advertencias de seguridad, mal uso, abuso o uso indebido de las bombas o aparatos.

PELIGRO Todos los productos devueltos deberán estar limpios, desinfectados o descontaminados antes de su envío, para asegurar que los empleados no estén expuestos a riesgos de salud en el manejo de dichos materiales. Se aplicarán todas las leyes y regulaciones pertinentes.



ADVERTENCIA Bombas con dispositivos de bronce/latón pueden niveles de plomo más altos que los considerados seguros para los sistemas de agua potable. Las agencias gubernamentales han determinado que no se deben utilizar aleaciones de cobre con plomo en instalaciones de agua potable.

ADVERTENCIA Las instalaciones, cableado y conexiones de empalmes deben realizarse en concordancia con el Código de Electricidad Nacional y con todos los códigos estatales y locales pertinentes. Los requisitos pueden variar dependiendo del uso y la ubicación.

ADVERTENCIA Las instalaciones y el servicio será realizado únicamente por personal calificado.

PELIGRO La maquinaria en rotación puede causar amputaciones o laceraciones graves. Manténgase alejado de las aperturas de succión y descarga. **NO introduzca los dedos en la bomba cuando esté conectada a la fuente de energía.**



ADVERTENCIA Cuando trabaje con bombas, utilice siempre protección para la vista. No utilice ropa suelta, ya que puede quedar atrapada en piezas móviles.

PELIGRO Durante la operación las bombas generan calor y presión. Deje que las bombas se enfríen antes de manipularlas o darles servicio.

PELIGRO Voltaje peligroso puede causar descarga, quemaduras o muerte. Esta bomba no está diseñada para su uso en piscinas o instalaciones de agua, donde sea posible el contacto humano con el líquido bombeado.



PELIGRO Riesgo de descargas eléctricas. Siempre desconecte la bomba de la fuente de energía antes de manipularla, para reducir el riesgo de descargas eléctricas. **Bloquee la energía y la etiqueta.**



ADVERTENCIA No utilice estas bombas en agua que esté a más de 145°F. No exceda el desempeño máximo recomendado por el fabricante, ya que esto podría recalentar el motor.

PRECAUCION Asegúrese de que las manijas estén bien seguras antes de levantarlas.

DANGER No levante, transporte o cuelgue la bomba con los cables eléctricos. El daño a los cables puede causar descargas, quemaduras o muerte. Nunca manipule cables conectados con las manos húmedas. Use dispositivos apropiados para levantar.



ADVERTENCIA Con frecuencia, las bombas de sumidero y de aguas residuales manipulan materiales que pueden causar enfermedades y afecciones. Utilice el equipo de protección personal apropiado, cuando trabaje con una bomba o tubería usada. Nunca entre a un sumidero después de que éste haya sido utilizado.

PELIGRO Si la bomba, el motor o los controles no tienen conexión a tierra, antes de conectar la energía, puede causar descargas, quemaduras o muerte.



PELIGRO Estas bombas no están diseñadas para ser instaladas en ubicaciones clasificadas como peligrosas según el Código Nacional de Electricidad, ANSI/NFPA 70.



ADVERTENCIA No introduzca en ninguna alcantarilla, ya sea directamente, o a través de alguna unidad de desperdicios de la cocina o baño: conchas de mariscos, gravilla de acuarios, arena para gatos, objetos plásticos, toallas sanitarias o tampones, pañales, toallas desechables, vendas, materiales inflamables, petróleo o grasa, químicos fuertes, gasolina.

- En cualquier bomba, la operación contra una válvula de descarga cerrada causará rodamiento prematuro y falla en el sello.
- Cualquier cableado de las bombas, deberá ser realizado por un electricista calificado.
- Los cables siempre deben estar protegidos para evitar daños, cortes, punciones y, con frecuencia, se deben revisar abrasiones.
- Nunca manipule cables conectados con las manos húmedas.
- Nunca deje cables o enchufes en el agua fuera del sumidero.
- Estas bombas se ofrecen en una configuración de cableado trifásico y monofásico de. Tensiones variarán de acuerdo a la aplicación y se puede ver en lastablas de este manual.



Bombas de Agua Residual

Modelos: SWH/SWHD Serie

Especificaciones

Modelo	hp	Hz	Tensión/Fases	rpm	Corriente de plena carga (A)	Código de arranque NEMA	Tipo de cable de alimentación	Calibre del cable de alimentación	Cable O.D.	Voluta	Carcasa	Impulsor	Eje
SWH50M1-20	1/2	60	115/1	3450	12.0	P	SOW	16AWG/3C	.430	Hierro Fundido	Hierro Fundido	Hierro Fundido	Acero
SWH50M2-20	1/2	60	230/1	3450	6.0	P	SOW	16AWG/3C	.430	Hierro Fundido	Hierro Fundido	Hierro Fundido	Acero
SWH50M3-20	1/2	60	230/3	3450	4	P	SOW	16AWG/4C	.460	Hierro Fundido	Hierro Fundido	Hierro Fundido	Acero
SWH50M4-20	1/2	60	460/3	3450	2	P	SOW	16AWG/4C	.460	Hierro Fundido	Hierro Fundido	Hierro Fundido	Acero
SWH50M5-20	1/2	60	208/1	3450	6.8	P	SOW	16AWG/3C	.430	Hierro Fundido	Hierro Fundido	Hierro Fundido	Acero
SWH50M6-20	1/2	60	208/3	3450	4.2	P	SOW	16AWG/4C	.460	Hierro Fundido	Hierro Fundido	Hierro Fundido	Acero
SWH100M2-20	1	60	230/1	3450	11	P	SOW	16AWG/3C	.430	Hierro Fundido	Hierro Fundido	Hierro Fundido	Acero
SWH100M3-20	1	60	230/3	3450	6.6	P	SOW	16AWG/4C	.460	Hierro Fundido	Hierro Fundido	Hierro Fundido	Acero
SWH100M4-20	1	60	460/3	3450	3.3	P	SOW	16AWG/4C	.460	Hierro Fundido	Hierro Fundido	Hierro Fundido	Acero
SWH100M5-20	1	60	208/1	3450	12	P	SOW	16AWG/3C	.430	Hierro Fundido	Hierro Fundido	Hierro Fundido	Acero
SWH100M6-20	1	60	208/3	3450	6.8	P	SOW	16AWG/4C	.460	Hierro Fundido	Hierro Fundido	Hierro Fundido	Acero
SWH150M2-20	1-1/2	60	230/1	3450	13.8	P	SOW	14AWG/3C	.575	Hierro Fundido	Hierro Fundido	Hierro Fundido	Acero
SWH150M3-20	1-1/2	60	230/3	3450	7.6	P	SOW	16AWG/4C	.460	Hierro Fundido	Hierro Fundido	Hierro Fundido	Acero
SWH150M4-20	1-1/2	60	460/3	3450	3.8	P	SOW	16AWG/4C	.460	Hierro Fundido	Hierro Fundido	Hierro Fundido	Acero
SWH150M5-20	1-1/2	60	208/1	3450	15	P	SOW	14AWG/3C	.575	Hierro Fundido	Hierro Fundido	Hierro Fundido	Acero
SWH150M6-20	1-1/2	60	208/3	3450	7.8	P	SOW	16AWG/4C	.460	Hierro Fundido	Hierro Fundido	Hierro Fundido	Acero
SWH200M2-20	2	60	230/1	3450	18	L	SOW	14AWG/3C	.575	Hierro Fundido	Hierro Fundido	Hierro Fundido	Acero
SWH200M3-20	2	60	230/3	3450	9	L	SOW	16AWG/4C	.460	Hierro Fundido	Hierro Fundido	Hierro Fundido	Acero
SWH200M4-20	2	60	460/3	3450	4.5	L	SOW	16AWG/4C	.460	Hierro Fundido	Hierro Fundido	Hierro Fundido	Acero
SWH200M5-20	2	60	208/1	3450	20	L	SOW	12AWG/3C	.655	Hierro Fundido	Hierro Fundido	Hierro Fundido	Acero
SWH200M6-20	2	60	208/3	3450	10.4	L	SOW	16AWG/4C	.460	Hierro Fundido	Hierro Fundido	Hierro Fundido	Acero
SWHD100M2-20	1	60	230/1	3450	11	P	SOW	16AWG/3C	.430	Hierro Fundido	Hierro Fundido	Hierro Fundido	Acero
SWHD100M3-20	1	60	230/3	3450	6.6	P	SOW	16AWG/4C	.460	Hierro Fundido	Hierro Fundido	Hierro Fundido	Acero
SWHD100M4-20	1	60	460/3	3450	3.3	P	SOW	16AWG/4C	.460	Hierro Fundido	Hierro Fundido	Hierro Fundido	Acero
SWHD100M5-20	1	60	208/1	3450	12	P	SOW	16AWG/3C	.430	Hierro Fundido	Hierro Fundido	Hierro Fundido	Acero
SWHD100M6-20	1	60	208/3	3450	6.8	P	SOW	16AWG/4C	.460	Hierro Fundido	Hierro Fundido	Hierro Fundido	Acero
SWHD150M2-20	1-1/2	60	230/1	3450	13.8	P	SOW	14AWG/3C	.575	Hierro Fundido	Hierro Fundido	Hierro Fundido	Acero
SWHD150M3-20	1-1/2	60	230/3	3450	7.6	P	SOW	16AWG/4C	.460	Hierro Fundido	Hierro Fundido	Hierro Fundido	Acero
SWHD150M4-20	1-1/2	60	460/3	3450	3.8	P	SOW	16AWG/4C	.460	Hierro Fundido	Hierro Fundido	Hierro Fundido	Acero
SWHD150M5-20	1-1/2	60	208/1	3450	15	P	SOW	14AWG/3C	.575	Hierro Fundido	Hierro Fundido	Hierro Fundido	Acero
SWHD150M6-20	1-1/2	60	208/3	3450	7.8	P	SOW	16AWG/4C	.460	Hierro Fundido	Hierro Fundido	Hierro Fundido	Acero
SWHD200M2-20	2	60	230/1	3450	18	L	SOW	14AWG/3C	.575	Hierro Fundido	Hierro Fundido	Hierro Fundido	Acero
SWHD200M3-20	2	60	230/3	3450	9	L	SOW	16AWG/4C	.460	Hierro Fundido	Hierro Fundido	Hierro Fundido	Acero
SWHD200M4-20	2	60	460/3	3450	4.5	L	SOW	16AWG/4C	.460	Hierro Fundido	Hierro Fundido	Hierro Fundido	Acero
SWHD200M5-20	2	60	208/1	3450	20	L	SOW	12AWG/3C	.655	Hierro Fundido	Hierro Fundido	Hierro Fundido	Acero
SWHD200M6-20	2	60	208/3	3450	10.4	L	SOW	16AWG/4C	.460	Hierro Fundido	Hierro Fundido	Hierro Fundido	Acero

Nota: Todas Las Dimensiones Tienen Una Tolerancia De +1/8"



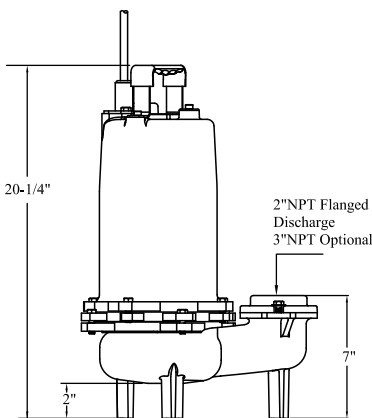
Bombas de Agua Residual

Modelos: SWH/SWHD Serie

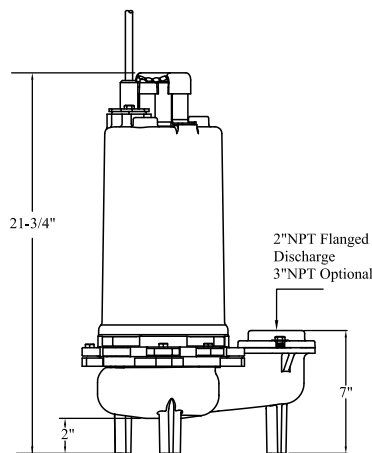
Especificaciones

Descripción:	a la bomba interna, Commercial y luz Agua residual industrial
Datos físicos:	
TAMAÑO DESCARGA	2" NPT Flanged Discharge, 3" NPT Optional
TIPO IMPULSOR	Vortex – Hierro Fundido
LONGITUD CABLE	20'
Manipulación De Líquido:	
SOLIDS SIZE	2"
ACCEPTABLE PH RANGE	6-8
Temperature:	
MAXIMO ESTATOR	130°C
MAXIMO TEMP. LÍQUIDO	104°F - Intermitente
Dato Técnico:	
TIPO DE CABLE ELÉCTRICO	SOW
CASCARA DE MOTOR	Hierro Fundido
VOLUTA	Hierro Fundido
IMPULSOR	Hierro Fundido
CASCARA DE MOTOR	SS416
HARDWARE	SST
"O" ANILLOS	NBR
SELLOS	Solo Mecánica Carbon-Ceramic
COJINETE SUPERIOR	6203
COJINETE INFERIOR	6203 para SWH seres, 6204 para SWHD series

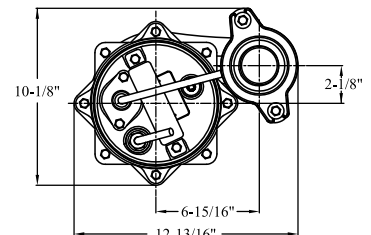
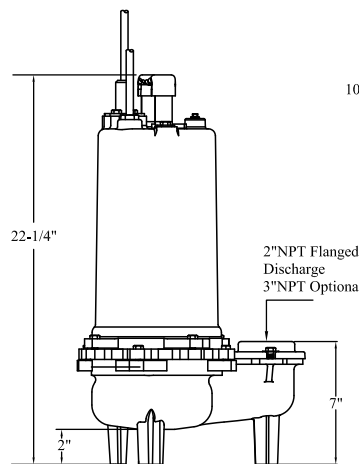
SWH50/SWH100
SWH150/SWH200 Series



SWH200M2/SWH200M5



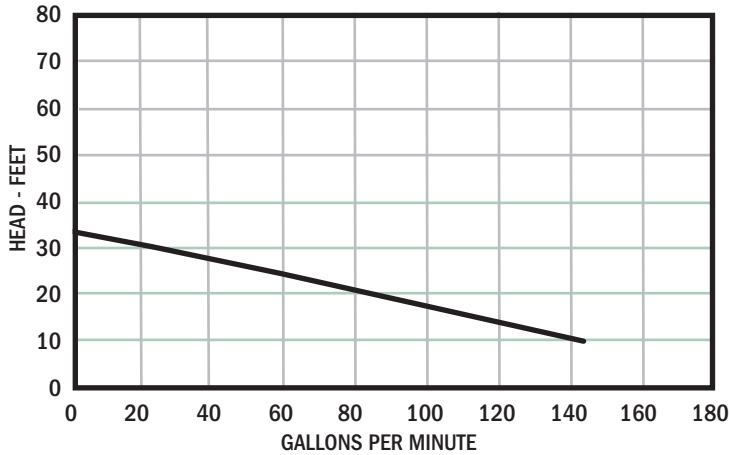
SWHD100/SWHD150
SWHD200 Series





Bombas de Agua Residual Modelos: SWH/SWHD Serie Funcionamiento

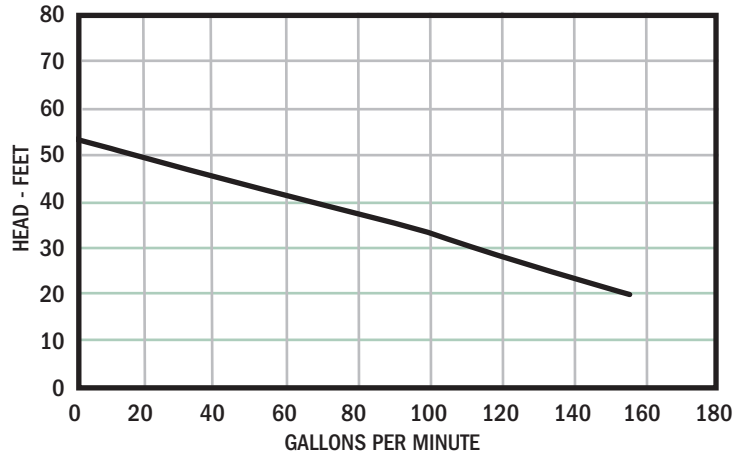
SWH50 CURVA DE FUNCIONAMIENTO



SWH50 TABLA DE FUNCIONAMIENTO

Total Elevar (pulgada)	10	20	25	30	32
GPM	140	85	56	20	0

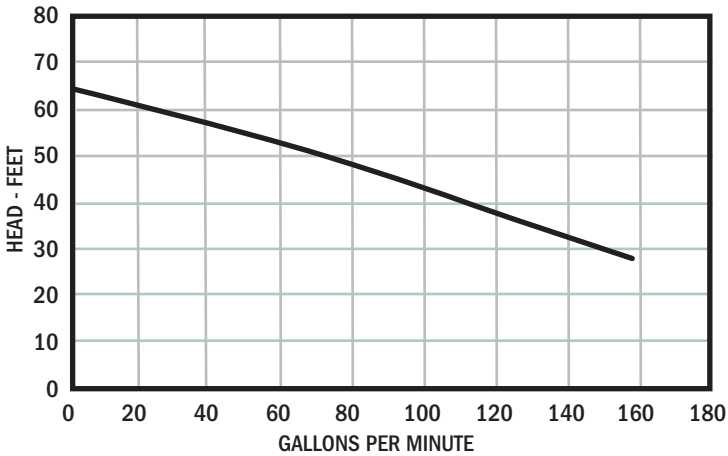
SWH100 & SWHD100 CURVA DE FUNCIONAMIENTO



SWH100 & SWHD100 TABLA DE FUNCIONAMIENTO

Total Elevar (pulgada)	20	25	30	40	50	52
GPM	155	134	110	62	10	0

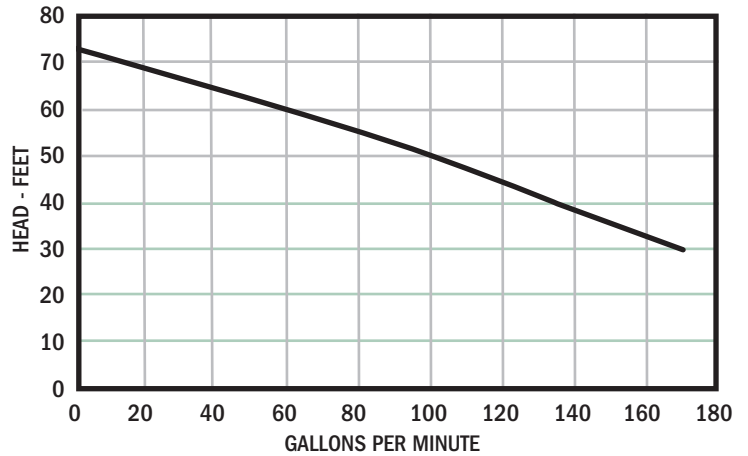
SWH150 & SWHD150 CURVA DE FUNCIONAMIENTO



SWH150 & SWHD150 TABLA DE FUNCIONAMIENTO

Total Elevar (pulgada)	30	35	40	45	50	64
GPM	152	133	114	92	72	0

SWH200 & SWHD200 CURVA DE FUNCIONAMIENTO



SWH200 & SWHD200 TABLA DE FUNCIONAMIENTO

Total Elevar (pulgada)	30	40	50	60	68	72
GPM	180	144	106	60	20	0



Bombas de Agua Residual Modelos: SWH/SWHD Serie Recepción y Instalación

Inspección de recepción

Al recibir la bomba, hay de hacer una inspección de daño o escasez. Si tiene un daño, haga una reclamación inmediatamente a la empresa que haya mandado la bomba. Si quita el manual del envasado, no se lo pierda.

Almacenamiento

Cualquier producto que se guarda durante un período más a seis (6) Meses a partir de la fecha de compra debe pasar la prueba de banco antes de la instalación. La prueba de banco consiste en chequear el impulsor para asegurar que es de giro libre y una prueba de funcionamiento para asegurar que el motor (y el interruptor si existiera) funciona correctamente. No bombee agua.

⚠ ADVERTENCIA IMPORTANTE! Una liquidación bajo la bomba para entrada de sólidos. El alcantarillado debe ser 2 pulgadas de mínimo y 3,5 pulgadas de máximo.

Sumersión

Siempre deben operar la bomba en condición sumergida. El nivel mínimo del líquido sumidero nunca debe ser menos que arriba del motor de la bomba (ver fig.1), a menos muy brevemente.

Instalación

El sumidero o la cuenca debe estar sellada y ventillada de acuerdo con los códigos locales de plomería. La bomba está diseñada para bombear agua residual doméstica, líquido no explosivo y o corrosivo y no debe estar instalada en lugares clasificados como peligrosos de acuerdo con el código eléctrico Nacional (NEN) ANSI/NFPA70 o el código eléctrico Canadiense (CEC).

La bomba nunca debe estar instalada en una zanja o agujero con un botón de Tierra. Las piernas se hunden en la Tierra y la Aspiración debe estar conectada.



FIGURE 1

Tubería de Descarga

Instale la tubería de descarga o montaje de manguera de la bomba. La tubería de descarga debe ser lo más corta posible y de tamaño no menor que la descarga de la bomba. No reduzca el tamaño de tubería de descarga debajo de lo que se proporciona la bomba. Se recomienda para cada bomba ambas una válvula de retención y una de cierre. La válvula de retención se usa para detener manualmente el sistema de flotador durante el mantenimiento de la bomba. Asegúrese de la descarga. La tubería tiene un agujero de diámetro aproximadamente 1/8" x 5" del punto más cerca de la voluta y orientado hacia el cuerpo de la bomba.

Panel de control

Bombas de agua residual de seires de fase individual no requieren un panel de control.

Motor

Cada motor se entrega con termostatos de sensor térmico adjuntos directamente al motor bobinados. Los termostatos abre si las bobinas del motor ve calor excesivo y a su vez, abre el contactor del motor en el panel de control al usar, rompiendo la alimentación a la bomba. Cuando el motor está parado debido a una condición sobrecalentada, no se iniciará hasta que el motor se enfríe.

Pre-operación

CHEQUEO DE TENSIÓN Y FASE

Antes de la operación de la bomba, chequee para asegurar que la información de la tensión y fase estampada en la placa de identificación de la bomba coincide con la potencia disponible.

ROTACIÓN DE CHEQUEO DE LA BOMBA

antes de poner la bomba en servicio por la primera vez, deben chequear la Rotación del motor. Rotación inadecuada del motor puede resultar en ejecución pobre de la bomba y puede dañar el motor y/o la bomba.

PLACA DE IDENTIFICACIÓN

Observe los número de la placa de identificación de las bombas y registre en este manual para futuras referencias.

Conexiones Eléctricas



Apague el disyuntor del circuito o un circuit antes de conectar o desconectar el interruptor y/o la bomba.

Siempre confíe en un electricista certificado para la instalación.



Bombas de Agua Residual

Modelos: SWH/SWHD Serie

Recepción y Instalación

Se recomienda que el flotador del control de nivel debe establecerse para asegurar que el líquido en el sumidero nunca cae debajo de la tapa del carcasa del motor. El control de nivel debe tener espacio adecuado para que no cuelgue en su giro y que la bomba está completamente sumergida cuando el control de nivel está en el modo "off". La longitud mínima de la traba es 3.50".

Por ajustar la correa del cable, el nivel de control se cambia. No uses el cable de alimentación para elevar la bomba. Prueba de bomba-abajo - asegúrese de que la bomba está conectada, Bajada en la cuenca o sumidero, chequee el sistema llenando con líquido Y permitiendo la bomba para operar durante el ciclo de bombeo. El tiempo necesario para vaciar el sistema o tiempo de bomba-abajo junto con el volumen de agua debe estar registrado.

Protección Térmica

Los motores están protegidos por una protección de sobrecarga o un termosensor, según el modelo y la cantidad de fases.

Mantenimiento

Se requiere un mantenimiento mínimo. Realice las siguientes comprobaciones cuando la bomba se retira de funcionamiento o Cuando el funcionamiento de la bomba se deteriora:

- A). Inspeccionar las cámaras de motor para el nivel de aceite y contaminación.
- B). Inspeccionar el impulsor y el cuerpo para acumulación excesiva u obstrucción.
- C). Inspeccionar motor y cojinetes.
- D). Inspeccionar sello de desgaste o fuga..

Mantenimiento

Aceite de Refrigeración - cualquier momento la bomba se retira de funcionamiento, el aceite de refrigeración en la carcasa de motor se debe comprobar visualmente el nivel de aceite y la contaminación. Para comprobar el aceite, ponga la unidad en posición vertical. Retire el enchufe de la tubería desde el carcasa. Con una linterna, inspeccione visualmente el aceite en la carcasa para asegurarse de que está limpio y claro, ámbar de luz en color y libre de partículas suspendidas. Aceite en color leche blanco indica la presencia de agua. El nivel de aceite debe ser justo encima del motor cuando la bomba está en posición vertical.

Prueba de Aceite

- Drene el aceite en un contenedor limpio y seco poniendo la bomba a su lado. Retire el enchufe de la tubería de la carcasa
- Chequee el aceite de contaminación usando un medidor de aceite con un Gama a 30 kilovoltios des glose.
- Si se encuentra el aceite por limpiar (medición por encima de 15 kv. Desglose), llene el cárter.) haga Las siguientes pruebas de presión.

- Si se encuentra el aceite sucio o contaminado (medición por encima De 15 kv.Desglose), antes de rellenar con aceite, tiene que chequear. La bomba con cuidado si hay fugas en el sello del eje, conjunto del Cable, o-anillo y enchufe de la tubería. Para localizar la fuga, haga Las siguientes pruebas de presión.

Cuando la fuga ya está reparada, tire el viejo aceite correctamente y rellene con el nuevo.



La presión se sube extremessure muy rápido, aumenta la presión pulsando boquilla de aire. Demasiada presión dañará el sello. NO exceda 10 P.S.I.

Prueba de Presión de Carcasa del Motor :

Si el aceite se ha drenado, llene hasta el nivel normal antes de la prueba de presión. Retire el enchufe de tubería de alojamiento de motor. Aplique el sellador de tubería al conjunto de calibre de presión y aprete en el agujero. Presurice la carcasa del motor a 10 p.S.I. Use solución de jabón alrededor de las áeras selladas por encima del nivel de aceite y chequee las juntas para burbujas de aire. Para las áreas por debajo del nivel de aceite, los puerros filtrará aceite. Si, después de cinco minutos, la presión sigue constante y no hay burbuja / se observa filtración de aceite, disminuya lentamente la presión y retire el junto de medidor. Cambie el aceite. La fuga se debe encontrar y reparar si la presión no se mantiene.

Reemplazo del aceite de Carcasa de Motor

retire el enchufe de tubería de la carcasa del motor. Drene todo el aceite(si no lo ha hecho) de la carcasa del motor y disponga correctamente por código local. Ponga la bomba a dirección vertical y rellene con aceite de refrigeración, ver tabla de aceite de refrigeración. Llene hasta justo por encima el motor(1.2L) como espacio de aire debe permanecer en la parte superior de la carcasa del motor para compensar la expansión de aceite. Use la rosca de tubería a la de enfuche y luego monte a la carcasa del motor. Chequee si el o-anillo está en su lugar y no necesita reparación. Vuelva a montar la cap cable a la carcasa del motor.



NO llene demasiado aceite. El sobre llenado de la carcasa con aceite puede crear presión hidráulica excesiva y peligrosa que puede uedestruir la bomba y crear un peligro.

Proveedor recomendabel de Aceita/Grado	
BP	Enerpar SE100
Conoco	Pale Paraffin 22
Mobile	D.T.E. Oil Light
Shell Canada	Transformer-10
Texaco	Diala-Oil-AX



ADVERTENCIA

Antes de hacer cualquier mantenimiento, disco necte y bloquee la alimentación eléctrica a la bomba



Bombas de Agua Residual Modelos: SWH/SWHD Serie Instalación y Servicio

Voluta - Retire los tornillos cap de cabeza de hueca de la voluta

Impulsor - Quite El Impulsor Girando Hacia La Izquierda. Aplicación Cuidadosa De Calor Puede Ser Necesaria. No Guarde La Bomba Sin El Impulsor En Su Lugar.

Sello-maneje las piezas de sello con cuidado. Quite el componente rotativo del eje. Quite el componente de muelle presionada de la placa de sello. Chequee las caras de contacto para señales de pistas de desgaste desigual en cara inmóvil, fichas y rasguños y también en cara del sello. No intercambie los componentes del sello, reemplace el sello de eje entero si es necesario.

Placa sello- quite los tornillos cap de la placa de sello. Quite la placa del sello y el o-anillo.

Cojinetes: Quite el cojinetes del eje usando un extractor o prensa de arbor. Remueva el cojinete del motor superior del eje con un extractor.



IMPORTANTE! - Tiene que limpiar todas las piezas antes del remontaje. Maneje las piezas de sello con extremo cuidado. No dañe la superficie bañada.

REMONTAJE

Cojinete-tenga cuidado de no dañar el eje de rotor cuando cambie El cojinete. Use prensa de arbor, sujete el rotor y y pulse el cojinete Superior en el eje del rotor, aplicando fuerza para la carrera interior Del cojinete solamente. De la misma manera, reemplace el cojinete inferior En el eje del rotor.

Placa de Sello - Lubrique y ponga el o-anillo en la parte inferior de la Placa de sello. Coloque la placa de sello sobre el eje, asegurándose que el O-anillo no está torcido y en el surco. Coloque cuatro tornillos por agujeros en La carcasa del motor y en la placa de sello y par de 6,5 ft/lbs.

Sello Exterior - Limpio y cavidad de sello estacionario de aceite en la Placa del sello. Deslice la herramienta de guía de sello. Engrase ligeramente (No use grasa) la superficie exterior del miembro estacionario del sello.

Meta firmemente el estacionario en la placa de sello usando herramienta de empujador de sello. Asegúrese de que el miembro estacionario está en recta. Nada pero la Herramienta de sello puede estar en contacto con la cara del sello.



IMPORTANTE! No martille en el empujador del sello. Eso dañará la cara del sello.

Con la superficie bañada del miembro rotativo enfrentando dentro hacia el estacionario, deslice el miembro rotativo y en el eje, hasta las caras bañadas del estacionario y el sello rotativo se junten.

Impulsor - Coloque el impulsor en el eje del motor girando a la izquierda. Se recomienda un compuesto de bloqueo de rosca azul.

Voluta - Coloque la voluta en la placa de sello. Ponga los tornillos cap de cabeza de hueca por la voluta y y en la placa de sello. Luego torque a 11 ft/lbs.



Bombas de Agua Residual Modelos: SWH/SWHD Serie Instalación

Instalación de Bomba en Sumidero

Las bombas suelen estar instaladas en cuencas concretas o de fibra de vidrio en el sistema ferroviario de elevación. Figura 3

Muestra una bomba en el sistema ferroviario. Instrucciones para la instalación de sistema ferroviario están amuebladas con paquete ferroviario.

Si la bomba no se instala con sistema ferroviario de elevación tiene que estar apoyada adecuadamente en piernas y conectada a tubería de descarga para tener espacio debajo de la bomba para la entrada de agua residual.

La entrada de la bomba no debe ser más cerca de 2 Pulgadas de la parte inferior del sumidero.

Generalmente no es deseable instalar las bombas sin el sistema ferroviario excepto en sistemas envasados especial de o.e.m. deben instalar las válvulas de retención siempre juntas con válvulas de cierre.

Esto permite un servicio más fácil y evita el reflotador en cuenca.

Iniciación de la bomba después de instalar en el sumidero

Antes de bajar la bomba en la cuenca, conecte líneas eléctricas y inicie el motor. El impulsor debe girar hacia la izquierda cuando se mira en impulsor.

Servicio y reparación

Importante: la bomba debe ser completamente limpia de basura y depósitos antes de empezar operaciones de desmontaje (Páginas 17-19).

⚠️ ADVERTENCIA

Disconecte toda la corriente y los cables de control al motor en el panel de control antes de empezar operaciones de desmontaje. Nunca confíe en solamente el interruptor de circuito de apertura.

⚠️ PRECAUCION

Las bombas acumulan calor y presión durante la operación. Dé tiempo para que se enfríen a la temperatura ambiental.

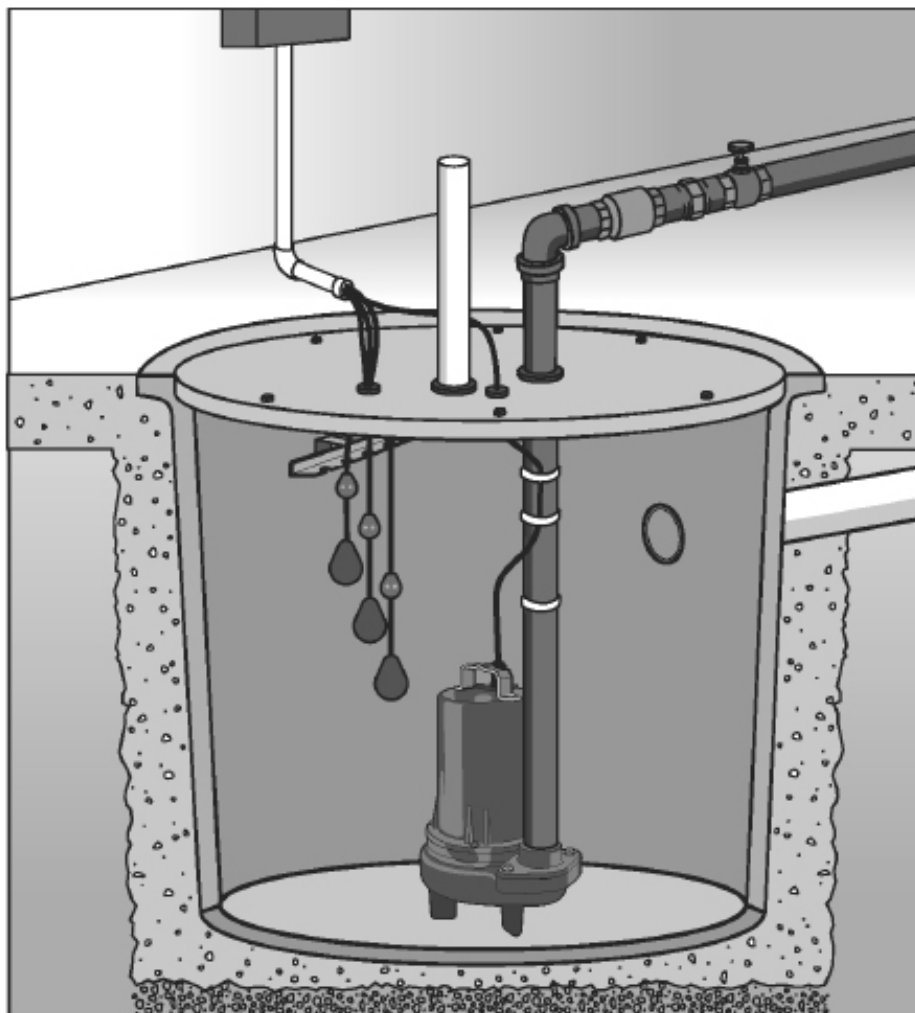


FIGURE 3



Bombas de Agua Residual Modelos: SWH/SWHD Serie Solución de Problemas

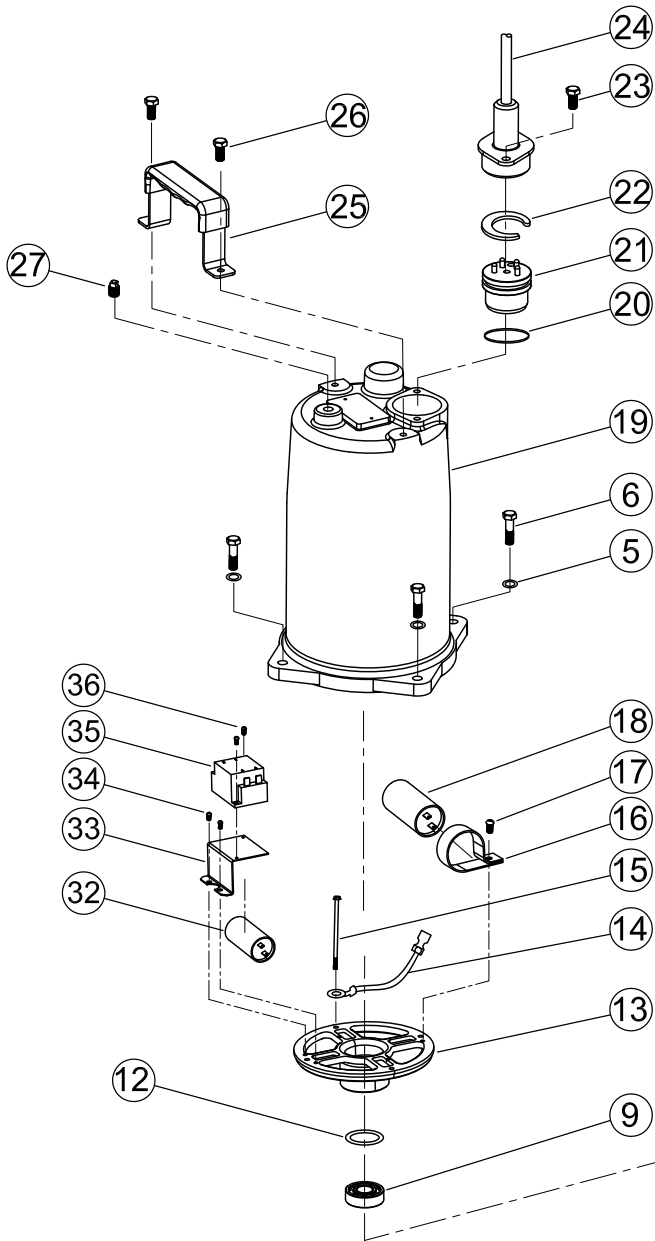
PROBLEMAS	CAUSAS/SOLUCIONES POSIBLES
LA BOMBA NO FUNCIONA Y HACE ZUMBIDO.	<ul style="list-style-type: none"> • Interruptor de circuito de línea está apagado, o el fusible está fundido y suelto. • El nivel de agua en el sumidero no ha llegado el nivel de encender como se indica en el Plano de instalación • El cable de bomba no hace contacto en el receptáculo. • El flotador está atascado. Debe funcionar libremente en la cuenca. • Si todo lo anterior está bien, entonces el motor puede estar funcionando mal.
LA BOMBA FUNCIONA PERO NO SACA AGUA	<ul style="list-style-type: none"> • Compruebe si las válvulas están instaladas al revés. La flecha en la válvula debe apuntar la dirección del flotador. • La válvula de cierre de descarga (si se usa) puede estar cerrada. • Las aberturas del impulsor o de la voluta están totalmente o parcialmente obstruidas. Quite la bomba y limpie. • La bomba es tipo bloqueado con aire. Inicie y pare varias veces conectando y desconectando el cable. Chequee si el orificio de ventilación está obstruido en la Carcasa de bomba. • Los orificios de entrada en la carcasa de la bomba están obstruidas. Retire la bomba y Limpie las aberturas. • La distancia vertical de bombeo es demasiado alta. Reduzca la distancia o cambie Los accesorios de descarga de la bomba.
LA BOMBA FUNCIONA Y BOMBEA SUMIDERO, PERO NO PARA.	<ul style="list-style-type: none"> • El flotador está atascado en posición arriba. Asegúrese de que el flotador va libremente en la cuenca. • El interruptor de flotador está defectuoso. Reemplace el interruptor de flotar.
LA BOMBA FUNCIONA PERO SOLAMENTE SACA UNA PEQUEÑA CANTIDAD DE AGUA.	<ul style="list-style-type: none"> • La bomba es tipo bloqueado con aire. Inicie y pare varias veces conectando y desconectando El cable. Chequee si el orificio de ventilación está obstruido en la carcasa de bomba. • La distancia vertical de bombeo es demasiado alta. Reduzca la distancia o cambie Los accesorios de descarga de la bomba. Los orificios de entrada en la carcasa de la bomba están Obstruidas. Retire la bomba y limpie el filtro y las aberturas. • Las aberturas del impulsor o de la voluta están totalmente o parcialmente obstruidas. Quite la bomba y limpie. • El impulsor de la bomba está parcialmente obstruidas con tar o pintura, haciendo que el motor Funciona lento y sobrecarga. Quite la bomba y limpie.
LA SOPLA FUSIBLE O EL INTERRUPTOR DE CIRCUITO SALTA CUANDO INICIA LA BOMBA	<ul style="list-style-type: none"> • El impulsor de la bomba está parcialmente obstruidas haciendo que el motor funciona lento Y sobrecarga. Quite la bomba y limpie. • El estator del motor puede estar defectuoso. • El tamaño del fusible o interruptor del circuito puede ser demasiado pequeño. (Debe ser 15 amps). • Las aberturas del impulsor o de la voluta están totalmente o parcialmente obstruidas. Quite la bomba y limpie.
EL MOTOR FUNCIONA POR POCO TIEMPO Y LUEGO PARA	<ul style="list-style-type: none"> • Los orificios de entrada en la carcasa de la bomba están obstruidas. Retire la bomba y limpie Las aberturas. • El impulsor de la bomba está parcialmente obstruidas con tar o pintura, haciendo que el motor Funciona lento y sobrecarga. Quite la bomba y limpie. • El estator del motor puede estar defectuoso. • Las aberturas del impulsor o de la voluta están totalmente o parcialmente obstruidas. Quite la bomba y limpie. También limpie el filtro si está instalado

PRECAUCIONES ELÉCTRICAS

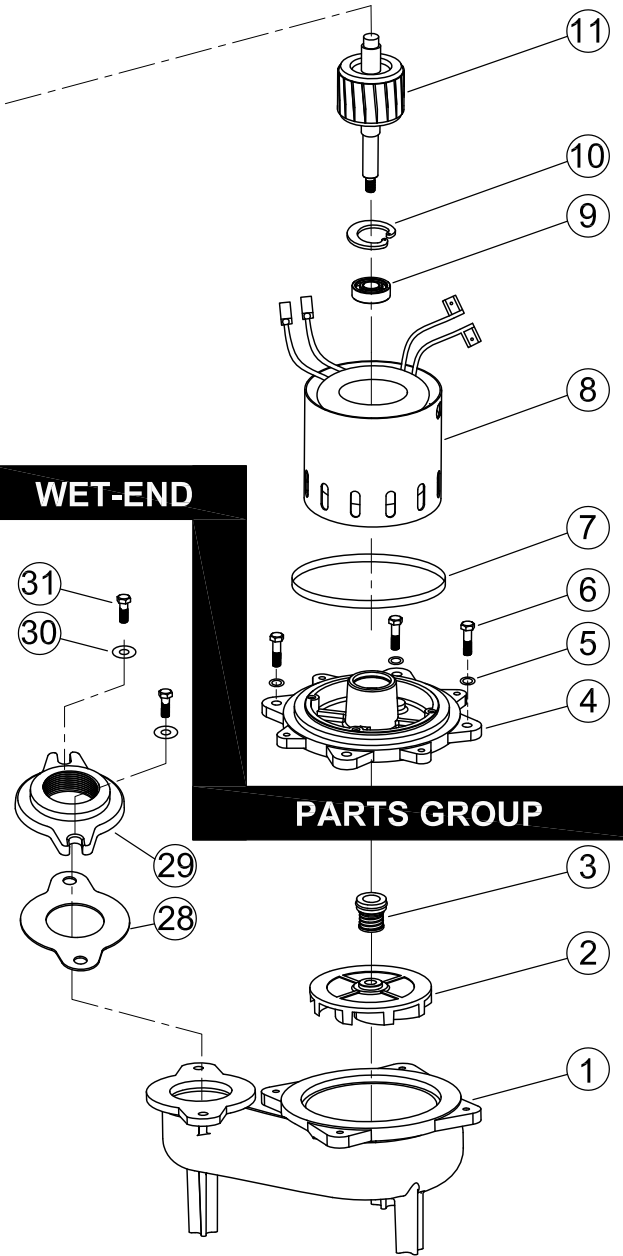


ADVERTENCIA Antes de reparar una bomba, siempre apague el interruptor de alimentación principal y desenchufe la bomba. Asegúrese de que no está de pie en el agua y está usando zapatos de suela de protección con aislamiento, bajo condiciones de inundación. Póngase en contacto con su compañía eléctrica local o un electricista cualificado para desconectar el servicio eléctrico antes de moverla.

MOTOR PARTS GROUP



WET-END



PARTS GROUP



Bombas de Agua Residual

Modelos: SWH Serie

Piezas

NO.	DESCRIPCIÓN	N.º DE PIEZA Para modelos de bombas										QTY	
		SWH50M1-20	SWH50M2-20	SWH50M3-20	SWH50M4-20	SWH50M5-20	SWH50M6-20	SWH100M2-20	SWH100M3-20	SWH100M4-20	SWH100M5-20		SWH100M6-20
		115V/1PH	230V/1PH	230V/3PH	460V/3PH	208V/1PH	208V/3PH	230V/1PH	230V/3PH	460V/3PH	208V/1PH		208V/3PH
	GRUPO DE PIEZAS SUMERGIBLES	091SH0502A	091SH0502A	091SH0502A	091SH0502A	091SH0502A	091SH0502A	091SH1002A	091SH1002A	091SH1002A	091SH1002A	091SH1002A	
1	VOLUTA	091SWH501	091SWH501	091SWH501	091SWH501	091SWH501	091SWH501	091SWH501	091SWH501	091SWH501	091SWH501	091SWH501	1
2	IMPULSOR	091SWH502	091SWH502	091SWH502	091SWH502	091SWH502	091SWH502	091SWH102	091SWH102	091SWH102	091SWH102	091SWH102	1
3	SELLO DE EJEL	091EP5003	091EP5003	091EP5003	091EP5003	091EP5003	091EP5003	091EP5003	091EP5003	091EP5003	091EP5003	091EP5003	1
28	JUNTA	091SWH028	091SWH028	091SWH028	091SWH028	091SWH028	091SWH028	091SWH028	091SWH028	091SWH028	091SWH028	091SWH028	1
29	FLANGE	091SWH231	091SWH231	091SWH231	091SWH231	091SWH231	091SWH231	091SWH231	091SWH231	091SWH231	091SWH231	091SWH231	1
		091SWH331	091SWH331	091SWH331	091SWH331	091SWH331	091SWH331	091SWH331	091SWH331	091SWH331	091SWH331	091SWH331	1
30	TORNILLO	091SWH030	091SWH030	091SWH030	091SWH030	091SWH030	091SWH030	091SWH030	091SWH030	091SWH030	091SWH030	091SWH030	2
31	ARANDELA	091SWH031	091SWH031	091SWH031	091SWH031	091SWH031	091SWH031	091SWH031	091SWH031	091SWH031	091SWH031	091SWH031	2
	GRUPO DE PIEZAS DEL MOTOR	091SH0509A	091SH0510A	091SH0511A	091SH0511A	091SH0512A	091SH0511A	091SH1009A	091SH1010A	091SH1010A	091SH1011A	091SH1010A	
4	PLACA DE SELLADO	091EP5004	091EP5004	091EP5004	091EP5004	091EP5004	091EP5004	091EP5004	091EP5004	091EP5004	091EP5004	091EP5004	1
5	ARANDELA	091EP5005	091EP5005	091EP5005	091EP5005	091EP5005	091EP5005	091EP5005	091EP5005	091EP5005	091EP5005	091EP5005	8
6	TORNILLO	091EP5006	091EP5006	091EP5006	091EP5006	091EP5006	091EP5006	091EP5006	091EP5006	091EP5006	091EP5006	091EP5006	8
7	JUNTA TÓRICA	091EP5007	091EP5007	091EP5007	091EP5007	091EP5007	091EP5007	091EP5007	091EP5007	091EP5007	091EP5007	091EP5007	1
8	ESTATOR ASSY	091SWH519	091EP7509	091SWH539	091SWH549	091EP7509	091SWH539	091EP1009	091EP1039	091EP1049	091EP1009	091EP1039	1
9	COJINETE	091EP5010	091EP5010	091EP5010	091EP5010	091EP5010	091EP5010	091EP5010	091EP5010	091EP5010	091EP5010	091EP5010	2
10	ANILLO 'C'	091EP5011	091EP5011	091EP5011	091EP5011	091EP5011	091EP5011	091EP5011	091EP5011	091EP5011	091EP5011	091EP5011	1
11	CONJUNTO DE ROTOR	091SH0512	091SH0512	091SH0512	091SH0512	091SH0512	091SH0512	091SH1012	091SH1012	091SH1012	091SH1012	091SH1012	1
12	ARANDELA ELÁSTICA	091EP5013	091EP5013	091EP5013	091EP5013	091EP5013	091EP5013	091EP5013	091EP5013	091EP5013	091EP5013	091EP5013	1
13	CUBIERTA SUPERIOR	091EP5014	091EP5014	091EP5014	091EP5014	091EP5014	091EP5014	091EP5014	091EP5014	091EP5014	091EP5014	091EP5014	1
14	GROUND LINE	091EP5015	091EP5015	091EP5315	091EP5315	091EP5015	091EP5315	091EP5015	091EP5315	091EP5315	091EP5015	091EP5315	1
15	TORNILLO	091SH0516	091SH0516	091SH0516	091SH0516	091SH0516	091SH0516	091SH1016	091SH1016	091SH1016	091SH1016	091SH1016	4
16	ABRAZADERA	091EP5017	091EP5017	NONE	NONE	091EP5017	NONE	091EP5017	NONE	NONE	091EP5017	NONE	1
17	TORNILLO	091EP5018	091EP5018	NONE	NONE	091EP5018	NONE	091EP5018	NONE	NONE	091EP5018	NONE	1
18	CAPACITOR	091EP5019	091EP5019	NONE	NONE	091EP5019	NONE	091EP5019	NONE	NONE	091EP5019	NONE	1
19	CARCASA	091EP5020	091EP5020	091EP5020	091EP5020	091EP5020	091EP5020	091EP5020	091EP5020	091EP5020	091EP5020	091EP5020	1
20	JUNTA TÓRICA	091EP5021	091EP5021	091EP5021	091EP5021	091EP5021	091EP5021	091EP5021	091EP5021	091EP5021	091EP5021	091EP5021	1
21	ADAPTADOR	091EP5022	091EP5022	091EP5322	091EP5322	091EP5022	091EP5322	091EP5022	091EP5322	091EP5322	091EP5022	091EP5322	1
22	ANILLO DE RETENCIÓN	091EP5023	091EP5023	091EP5023	091EP5023	091EP5023	091EP5023	091EP5023	091EP5023	091EP5023	091EP5023	091EP5023	1
23	TORNILLO	091EP5024	091EP5024	091EP5024	091EP5024	091EP5024	091EP5024	091EP5024	091EP5024	091EP5024	091EP5024	091EP5024	2
24	CABLE DE ALIMENTACIÓN	091EP5025	091EP5026	091EP5326	091EP5326	091EP5026	091EP5326	091EP5026	091EP5326	091EP5326	091EP5026	091EP5326	1
25	ASA	091EP5027	091EP5027	091EP5027	091EP5027	091EP5027	091EP5027	091EP5027	091EP5027	091EP5027	091EP5027	091EP5027	1
26	TORNILLO	091EP5028	091EP5028	091EP5028	091EP5028	091EP5028	091EP5028	091EP5028	091EP5028	091EP5028	091EP5028	091EP5028	2
27	TORNILLO	091EP5029	091EP5029	091EP5029	091EP5029	091EP5029	091EP5029	091EP5029	091EP5029	091EP5029	091EP5029	091EP5029	1
32	CONDENSADOR DE INICIO	NONE	NONE	NONE	NONE	NONE	NONE	NONE	NONE	NONE	NONE	NONE	1
33	SOPORTE DE MONTAJE	NONE	NONE	NONE	NONE	NONE	NONE	NONE	NONE	NONE	NONE	NONE	1
34	TORNILLO	NONE	NONE	NONE	NONE	NONE	NONE	NONE	NONE	NONE	NONE	NONE	2
35	INTERRUPTOR DE RELE	NONE	NONE	NONE	NONE	NONE	NONE	NONE	NONE	NONE	NONE	NONE	1
36	TORNILLO	NONE	NONE	NONE	NONE	NONE	NONE	NONE	NONE	NONE	NONE	NONE	2



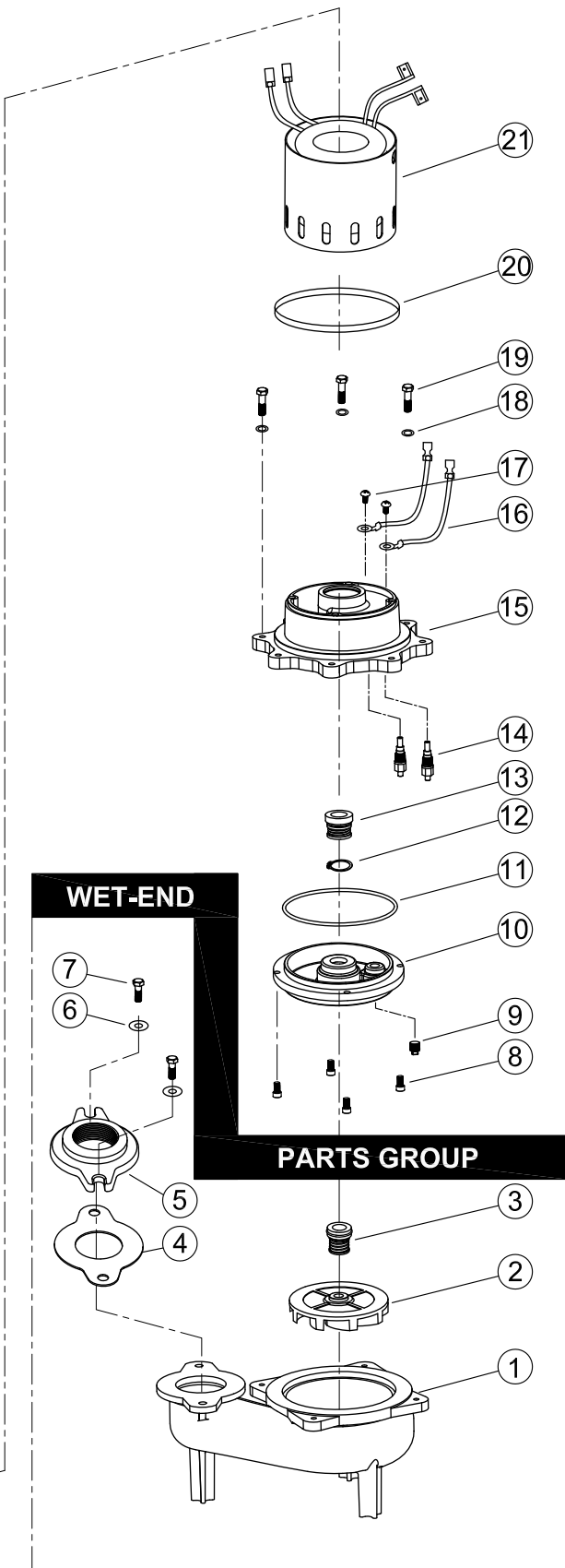
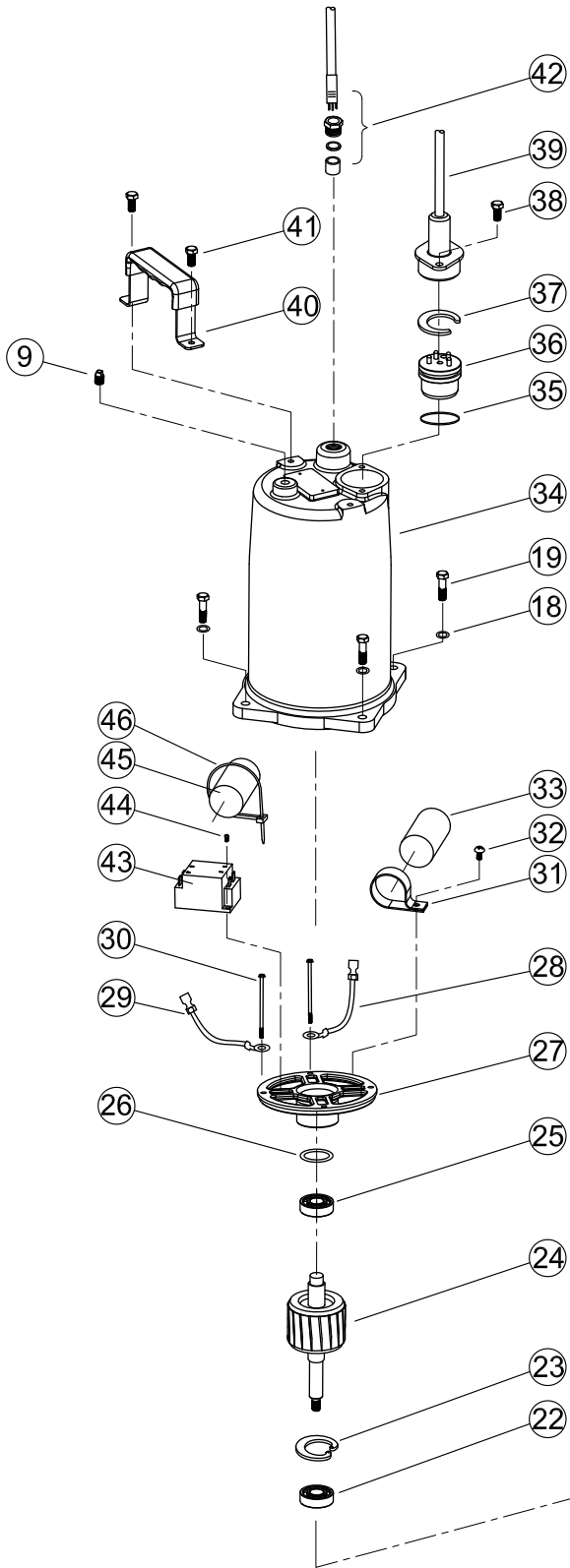
Bombas de Agua Residual

Modelos: SWH Serie

Piezas

NO.	DESCRIPCIÓN	N.º DE PIEZA Para modelos de bomba										QTY
		SWH150M2-20	SWH150M3-20	SWH150M4-20	SWH150M5-20	SWH150M6-20	SWH200M2-20	SWH200M3-20	SWH200M4-20	SWH200M5-20	SWH200M6-20	
		230V/1PH	230V/3PH	460V/3PH	208V/1PH	208V/3PH	230V/1PH	230V/3PH	460V/3PH	208V/1PH	208V/3PH	
GRUPO DE PIEZAS SUMERGIBLES		091SH1502A	091SH1502A	091SH1502A	091SH1502A	091SH1502A	091SH2002A	091SH2002A	091SH2002A	091SH2002A	091SH2002A	
1	VOLUTA	091SWH501	091SWH501	091SWH501	091SWH501	091SWH501	091SWH501	091SWH501	091SWH501	091SWH501	091SWH501	1
2	IMPULSOR	091SWH152	091SWH152	091SWH152	091SWH152	091SWH152	091SWH202	091SWH202	091SWH202	091SWH202	091SWH202	1
3	SELLO DE EJE	091EP5003	091EP5003	091EP5003	091EP5003	091EP5003	091EP5003	091EP5003	091EP5003	091EP5003	091EP5003	1
28	JUNTA	091SWH028	091SWH028	091SWH028	091SWH028	091SWH028	091SWH028	091SWH028	091SWH028	091SWH028	091SWH028	1
29	FLANGE	091SWH231	091SWH231	091SWH231	091SWH231	091SWH231	091SWH231	091SWH231	091SWH231	091SWH231	091SWH231	1
		091SWH331	091SWH331	091SWH331	091SWH331	091SWH331	091SWH331	091SWH331	091SWH331	091SWH331	091SWH331	1
30	TORNILLO	091SWH030	091SWH030	091SWH030	091SWH030	091SWH030	091SWH030	091SWH030	091SWH030	091SWH030	091SWH030	2
31	ARANDELA	091SWH031	091SWH031	091SWH031	091SWH031	091SWH031	091SWH031	091SWH031	091SWH031	091SWH031	091SWH031	2
GRUPO DE PIEZAS DEL MOTOR		091SH1509A	091SH1510A	091SH1510A	091SH1511A	091SH1510A	091SH2009A	091SH2010A	091SH2010A	091SH2011A	091SH2010A	
4	PLACA DE SELLADO	091EP5004	091EP5004	091EP5004	091EP5004	091EP5004	091SW2004	091EP5004	091EP5004	091SW2004	091EP5004	1
5	ARANDELA	091EP5005	091EP5005	091EP5005	091EP5005	091EP5005	091EP5005	091EP5005	091EP5005	091EP5005	091EP5005	8
6	TORNILLO	091EP5006	091EP5006	091EP5006	091EP5006	091EP5006	091EP5006	091EP5006	091EP5006	091EP5006	091EP5006	8
7	JUNTA TÓRICA	091EP5007	091EP5007	091EP5007	091EP5007	091EP5007	091SWHD20	091EP5007	091EP5007	091SWHD20	091EP5007	1
8	ESTATOR ASSY	091SH1509	091SH1539	091SH1549	091SH1529	091 SH 1539	091SH2009	091SH2039	091SH2049	091SH2009	091SH2039	1
9	COJINETE	091EP5010	091EP5010	091EP5010	091EP5010	091EP5010	091EP5010	091EP5010	091EP5010	091EP5010	091EP5010	2
10	ANILLO 'C'	091EP5011	091EP5011	091EP5011	091EP5011	091EP5011	091EP5011	091EP5011	091EP5011	091EP5011	091EP5011	1
11	CONJUNTO DE ROTOR	091SH1512	091SH1512	091SH1512	091SH1512	091SH1512	091SH2011	091SH2012	091SH2012	091SH2011	091SH2012	1
12	ARANDELA ELÁSTICA	091EP5013	091EP5013	091EP5013	091EP5013	091EP5013	091EP5013	091EP5013	091EP5013	091EP5013	091EP5013	1
13	CUBIERTA SUPERIOR	091EP5014	091EP5014	091EP5014	091EP5014	091EP5014	091SWHD27	091EP5014	091EP5014	091SWHD27	091EP5014	1
14	GROUND LINE	091EP5015	091EP5315	091EP5315	091EP5015	091EP5315	091EP5015	091EP5315	091EP5315	091EP5015	091EP5315	1
15	TORNILLO	091SH1016	091SH1016	091SH1016	091SH1016	091SH1016	091SH2016	091SH2016	091SH2016	091SH2016	091SH2016	4
16	ABRAZADERA	091EP5017	NONE	NONE	091EP5017	NONE	091EP5017	NONE	NONE	091EP5017	NONE	1
17	TORNILLO	091EP5018	NONE	NONE	091EP5018	NONE	091EP5018	NONE	NONE	091EP5018	NONE	1
18	CAPACITOR	091EP5019	NONE	NONE	091EP5019	NONE	091EP5019	NONE	NONE	091EP5019	NONE	1
19	CARCASA	091EP5020	091EP5020	091EP5020	091EP5020	091EP5020	091SH2020	091EP5020	091EP5020	091SH2020	091EP5020	1
20	JUNTA TÓRICA	091EP5021	091EP5021	091EP5021	091EP5021	091EP5021	091EP5021	091EP5021	091EP5021	091EP5021	091EP5021	1
21	ADAPTADOR	091EP5022	091EP5322	091EP5322	091EP5022	091EP5322	091EP5022	091EP5322	091EP5322	091EP5022	091EP5322	1
22	ANILLO DE RETENCIÓN	091EP5023	091EP5023	091EP5023	091EP5023	091EP5023	091EP5023	091EP5023	091EP5023	091EP5023	091EP5023	1
23	TORNILLO	091EP5024	091EP5024	091EP5024	091EP5024	091EP5024	091EP5024	091EP5024	091EP5024	091EP5024	091EP5024	2
24	CABLE DE ALIMENTACIÓN	091EP5326	091EP5326	091EP5326	091EP1526	091EP5326	091EP1526	091EP5326	091EP5326	091SWH226	091EP5326	1
25	ASA	091EP5027	091EP5027	091EP5027	091EP5027	091EP5027	091EP5027	091EP5027	091EP5027	091EP5027	091EP5027	1
26	TORNILLO	091EP5028	091EP5028	091EP5028	091EP5028	091EP5028	091EP5028	091EP5028	091EP5028	091EP5028	091EP5028	2
27	NUT	091EP5029	091EP5029	091EP5029	091EP5029	091EP5029	091EP5029	091EP5029	091EP5029	091EP5029	091EP5029	1
32	CONDENSADOR DE INICIO	NONE	NONE	NONE	NONE	NONE	091AGPH40	NONE	NONE	091AGPH40	NONE	1
33	SOPORTE DE MONTAJE	NONE	NONE	NONE	NONE	NONE	091AGPR27	NONE	NONE	091AGPR27	NONE	1
34	TORNILLO	NONE	NONE	NONE	NONE	NONE	091AGPH35	NONE	NONE	091AGPH35	NONE	2
35	INTERRUPTOR DE RELÉ	NONE	NONE	NONE	NONE	NONE	091AGPR29	NONE	NONE	091AGPR29	NONE	1
36	TORNILLO	NONE	NONE	NONE	NONE	NONE	091AGPR30	NONE	NONE	091AGPR30	NONE	2

MOTOR PARTS GROUP





Bombas de Agua Residual

Modelos: SWHD Serie

Piezas

NO.	DESCRIPCIÓN	N.º DE PIEZA Para modelos de bomba										QTY
		SWHD100M2-20	SWHD100M3-20	SWHD100M4-20	SWHD100M5-20	SWHD100M6-20	SWHD150M2-20	SWHD150M3-20	SWHD150M4-20	SWHD150M5-20	SWHD150M6-20	
		230V/1PH	230V/3PH	460V/3PH	208V/1PH	208V/3PH	230V/1PH	230V/3PH	460V/3PH	208V/1PH	208V/3PH	
GRUPO DE PIEZAS SUMERGIBLES		091SD1002A	091SD1002A	091SD1002A	091SD1002A	091SD1002A	091SD1502A	091SD1502A	091SD1502A	091SD1502A	091SD1502A	
1	VOLUTA	091SWHD01	091SWHD01	091SWHD01	091SWHD01	091SWHD01	091SWHD01	091SWHD01	091SWHD01	091SWHD01	091SWHD01	1
2	IMPULSOR	091SWH102	091SWH102	091SWH102	091SWH102	091SWH102	091SWH152	091SWH152	091SWH152	091SWH152	091SWH152	1
3	SELLO DE EJE	091EP5003	091EP5003	091EP5003	091EP5003	091EP5003	091EP5003	091EP5003	091EP5003	091EP5003	091EP5003	1
4	JUNTA	091SWH028	091SWH028	091SWH028	091SWH028	091SWH028	091SWH028	091SWH028	091SWH028	091SWH028	091SWH028	1
5	FLANGE	091SWH231	091SWH231	091SWH231	091SWH231	091SWH231	091SWH231	091SWH231	091SWH231	091SWH231	091SWH231	1
		091SWH331	091SWH331	091SWH331	091SWH331	091SWH331	091SWH331	091SWH331	091SWH331	091SWH331	091SWH331	1
6	TORNILLO	091SWH030	091SWH030	091SWH030	091SWH030	091SWH030	091SWH030	091SWH030	091SWH030	091SWH030	091SWH030	2
7	ARANDELA	091SWH031	091SWH031	091SWH031	091SWH031	091SWH031	091SWH031	091SWH031	091SWH031	091SWH031	091SWH031	2
GRUPO DE PIEZAS DEL MOTOR		091SD1021A	091SD1023A	091SD1023A	091SD1021A	091SD1023A	091SD1521A	091SD1523A	091SD1523A	091SD1521A	091SD1523A	
8	TORNILLO	091SWHD08	091SWHD08	091SWHD08	091SWHD08	091SWHD08	091SWHD08	091SWHD08	091SWHD08	091SWHD08	091SWHD08	4
9	TUERCA	091EP5029	091EP5029	091EP5029	091EP5029	091EP5029	091EP5029	091EP5029	091EP5029	091EP5029	091EP5029	2
10	PLACA DE SELLADO-ABAJO	091SWHD10	091SWHD10	091SWHD10	091SWHD10	091SWHD10	091SWHD10	091SWHD10	091SWHD10	091SWHD10	091SWHD10	1
11	JUNTA TÓRICA	091SWHD11	091SWHD11	091SWHD11	091SWHD11	091SWHD11	091SWHD11	091SWHD11	091SWHD11	091SWHD11	091SWHD11	1
12	ANILLO 'C'	091SWHD12	091SWHD12	091SWHD12	091SWHD12	091SWHD12	091SWHD12	091SWHD12	091SWHD12	091SWHD12	091SWHD12	1
13	SELLO DE EJE	091SWHD13	091SWHD13	091SWHD13	091SWHD13	091SWHD13	091SWHD13	091SWHD13	091SWHD13	091SWHD13	091SWHD13	1
14	SENSOR	091SWHD14	091SWHD14	091SWHD14	091SWHD14	091SWHD14	091SWHD14	091SWHD14	091SWHD14	091SWHD14	091SWHD14	2
15	PLACA DE SELLADO-ARRIBA	091SWHD15	091SWHD15	091SWHD15	091SWHD15	091SWHD15	091SWHD15	091SWHD15	091SWHD15	091SWHD15	091SWHD15	1
16	LÍNEA DEL SENSOR	091SWHD16	091SWHD16	091SWHD16	091SWHD16	091SWHD16	091SWHD16	091SWHD16	091SWHD16	091SWHD16	091SWHD16	2
17	TORNILLO	091SWHD17	091SWHD17	091SWHD17	091SWHD17	091SWHD17	091SWHD17	091SWHD17	091SWHD17	091SWHD17	091SWHD17	2
18	ARANDELA	091EP5005	091EP5005	091EP5005	091EP5005	091EP5005	091EP5005	091EP5005	091EP5005	091EP5005	091EP5005	8
19	TORNILLO	091EP5006	091EP5006	091EP5006	091EP5006	091EP5006	091EP5006	091EP5006	091EP5006	091EP5006	091EP5006	8
20	JUNTA TÓRICA	091SWHD20	091SWHD20	091SWHD20	091SWHD20	091SWHD20	091SWHD20	091SWHD20	091SWHD20	091SWHD20	091SWHD20	1
21	CONJUNTO DE ESTATOR	091SD1021	091SD1023	091SD1023	091SD1021	091SD1023	091SD1521	091SD1523	091SD1523	091SD1521	091SD1523	1
22	COJINETE	091SWHD22	091SWHD22	091SWHD22	091SWHD22	091SWHD22	091SWHD22	091SWHD22	091SWHD22	091SWHD22	091SWHD22	1
23	ANILLO 'C'	091SWHD23	091SWHD23	091SWHD23	091SWHD23	091SWHD23	091SWHD23	091SWHD23	091SWHD23	091SWHD23	091SWHD23	1
24	CONJUNTO DE ROTOR	091SD1024	091SD1024	091SD1024	091SD1024	091SD1024	091SD1524	091SD1524	091SD1524	091SD1524	091SD1524	1
25	COJINETE	091EP5010	091EP5010	091EP5010	091EP5010	091EP5010	091EP5010	091EP5010	091EP5010	091EP5010	091EP5010	1
26	ARANDELA ELÁSTICA	091EP5013	091EP5013	091EP5013	091EP5013	091EP5013	091EP5013	091EP5013	091EP5013	091EP5013	091EP5013	1
27	CUBIERTA SUPERIOR	091SWHD27	091SWHD27	091SWHD27	091SWHD27	091SWHD27	091SWHD27	091SWHD27	091SWHD27	091SWHD27	091SWHD27	1
28	LÍNEA DE TIERRA	091SWHD28	091SWHD28	091SWHD28	091SWHD28	091SWHD28	091SWHD28	091SWHD28	091SWHD28	091SWHD28	091SWHD28	1
29	LÍNEA DE TIERRA	091EP5015	091EP5315	091EP5315	091EP5015	091EP5315	091EP5015	091EP5315	091EP5315	091EP5015	091EP5315	1
30	TORNILLO	091SD1030	091SD1030	091SD1030	091SD1030	091SD1030	091SD1030	091SD1030	091SD1030	091SD1030	091SD1030	4
31	ABRAZADERA	091EP5017	NONE	NONE	091EP5017	NONE	091EP5017	NONE	NONE	091EP5017	NONE	1
32	TORNILLO	091EP5018	NONE	NONE	091EP5018	NONE	091EP5018	NONE	NONE	091EP5018	NONE	1
33	CAPACITOR	091EP5019	NONE	NONE	091EP5019	NONE	091EP5019	NONE	NONE	091EP5019	NONE	1
34	CARCAZA	091SWHD34	091SWHD34	091SWHD34	091SWHD34	091SWHD34	091SWHD34	091SWHD34	091SWHD34	091SWHD34	091SWHD34	1
35	JUNTA TÓRICA	091EP5021	091EP5021	091EP5021	091EP5021	091EP5021	091EP5021	091EP5021	091EP5021	091EP5021	091EP5021	1
36	ADAPTADOR	091EP5022	091EP5322	091EP5322	091EP5022	091EP5322	091EP5022	091EP5322	091EP5322	091EP5022	091EP5322	1
37	ANILLO DE RETENCIÓN	091EP5023	091EP5023	091EP5023	091EP5023	091EP5023	091EP5023	091EP5023	091EP5023	091EP5023	091EP5023	1
38	TORNILLO	091EP5024	091EP5024	091EP5024	091EP5024	091EP5024	091EP5024	091EP5024	091EP5024	091EP5024	091EP5024	2
39	CABLE DE ALIMENTACIÓN	091EP5026	091EP5326	091EP5326	091EP5026	091EP5326	091EP1526	091EP5326	091EP5326	091EP1526	091EP5326	1
40	HANDLE	091EP5027	091EP5027	091EP5027	091EP5027	091EP5027	091EP5027	091EP5027	091EP5027	091EP5027	091EP5027	1
41	TORNILLO	091EP5028	091EP5028	091EP5028	091EP5028	091EP5028	091EP5028	091EP5028	091EP5028	091EP5028	091EP5028	2
42	CONJUNTO DE CABLE DEL SENSOR	091SWHD42	091SWHD42	091SWHD42	091SWHD42	091SWHD42	091SWHD42	091SWHD42	091SWHD42	091SWHD42	091SWHD42	1
43	INTERRUPTOR DE RELÉ	NONE	NONE	NONE	NONE	NONE	NONE	NONE	NONE	NONE	NONE	1
44	TORNILLO	NONE	NONE	NONE	NONE	NONE	NONE	NONE	NONE	NONE	NONE	1
45	CONDENSADOR DE INICIO	NONE	NONE	NONE	NONE	NONE	NONE	NONE	NONE	NONE	NONE	1
46	TIE	NONE	NONE	NONE	NONE	NONE	NONE	NONE	NONE	NONE	NONE	2



Bombas de Agua Residual

Modelos: SWHD Serie

Piezas

N.º	DESCRIPCIÓN	N.º DE PIEZA Para modelos de bomba					QTY
		SWHD200M2-20	SWHD200M3-20	SWHD200M4-20	SWHD200M5-20	SWHD200M6-20	
		230V/1PH	230V/3PH	460V/3PH	208V/1PH	208V/3PH	
GRUPO DE PIEZAS SUMERGIBLES		091SD2002A	091SD2002A	091SD2002A	091SD2002A	091SD2002A	
1	VOLUTE	091SWHD01	091SWHD01	091SWHD01	091SWHD01	091SWHD01	1
2	IMPULSOR	091SWH202	091SWH202	091SWH202	091SWH202	091SWH202	1
3	SELLO DE EJE	091EP5003	091EP5003	091EP5003	091EP5003	091EP5003	1
4	JUNTA	091SWH028	091SWH028	091SWH028	091SWH028	091SWH028	1
5	FLANGE	091SWH231	091SWH231	091SWH231	091SWH231	091SWH231	1
		091SWH331	091SWH331	091SWH331	091SWH331	091SWH331	1
6	TORNILLO	091SWH030	091SWH030	091SWH030	091SWH030	091SWH030	2
7	ARANDELA	091SWH031	091SWH031	091SWH031	091SWH031	091SWH031	2
GRUPO DE PIEZAS DEL MOTOR		091SD2021A	091SD2023A	091SD2023A	091SD2021A	091SD2023A	
8	TORNILLO	091SWHD08	091SWHD08	091SWHD08	091SWHD08	091SWHD08	4
9	TUERCA	091EP5029	091EP5029	091EP5029	091EP5029	091EP5029	2
10	PLACA DE SELLADO-ABAJO	091SWHD10	091SWHD10	091SWHD10	091SWHD10	091SWHD10	1
11	JUNTA TÓRICA	091SWHD11	091SWHD11	091SWHD11	091SWHD11	091SWHD11	1
12	ANILLO 'C'	091SWHD12	091SWHD12	091SWHD12	091SWHD12	091SWHD12	1
13	SELLO DE EJE	091SWHD13	091SWHD13	091SWHD13	091SWHD13	091SWHD13	1
14	SENSOR	091SWHD14	091SWHD14	091SWHD14	091SWHD14	091SWHD14	2
15	PLACA DE SELLADO-ARRIBA	091SWHD15	091SWHD15	091SWHD15	091SWHD15	091SWHD15	1
16	LÍNEA DEL SENSOR	091SWHD16	091SWHD16	091SWHD16	091SWHD16	091SWHD16	2
17	TORNILLO	091SWHD17	091SWHD17	091SWHD17	091SWHD17	091SWHD17	2
18	ARANDELA	091EP5005	091EP5005	091EP5005	091EP5005	091EP5005	8
19	TORNILLO	091EP5006	091EP5006	091EP5006	091EP5006	091EP5006	8
20	JUNTA TÓRICA	091SWHD20	091SWHD20	091SWHD20	091SWHD20	091SWHD20	1
21	CONJUNTO DE ESTATOR	091SD2021	091SD2023	091SD2023	091SD2021	091SD2023	1
22	BRARING	091SWHD22	091SWHD22	091SWHD22	091SWHD22	091SWHD22	1
23	ANILLO 'C'	091SWHD23	091SWHD23	091SWHD23	091SWHD23	091SWHD23	1
24	CONJUNTO DE ROTOR	091SD2024	091SD2024	091SD2024	091SD2024	091SD2024	1
25	COJINETE	091EP5010	091EP5010	091EP5010	091EP5010	091EP5010	1
26	ARANDELA ELÁSTICA	091EP5013	091EP5013	091EP5013	091EP5013	091EP5013	1
27	CUBIERTA SUPERIOR	091SWHD27	091SWHD27	091SWHD27	091SWHD27	091SWHD27	1
28	LÍNEA DE TIERRA	091SWHD28	091SWHD287	091SWHD28	091SWHD28	091SWHD28	1
29	LÍNEA DE TIERRA	091EP5015	091EP5315	091EP5315	091EP5015	091EP5315	1
30	TORNILLO	091SD2030	091SD2030	091SD2030	091SD2030	091SD2030	4
31	ABRAZADERA	091EP5017	NONE	NONE	091EP5017	NONE	1
32	TORNILLO	091EP5018	NONE	NONE	091EP5018	NONE	1
33	CAPACITOR	091EP5019	NONE	NONE	091EP5019	NONE	1
34	CARCASA	091SWHD34	091SWHD34	091SWHD34	091SWHD34	091SWHD34	1
35	JUNTA TÓRICA	091EP5021	091EP5021	091EP5021	091EP5021	091EP5021	1
36	ADAPTADOR	091EP5022	091EP5322	091EP5322	091EP5022	091EP5322	1
37	ANILLO DE RETENCIÓN	091EP5023	091EP5023	091EP5023	091EP5023	091EP5023	1
38	TORNILLO	091EP5024	091EP5024	091EP5024	091EP5024	091EP5024	2
39	CABLE DE ALIMENTACIÓN	091EP1526	091EP5326	091EP5326	091SWH226	091EP5326	1
40	ASA	091EP5027	091EP5027	091EP5027	091EP5027	091EP5027	1
41	TORNILLO	091EP5028	091EP5028	091EP5028	091EP5028	091EP5028	2
42	CONJUNTO DE CABLE DEL SENSOR	091SWHD42	091SWHD42	091SWHD42	091SWHD42	091SWHD42	1
43	INTERRUPTOR DE RELÉ	091AGPR29	NONE	NONE	091AGPR29	NONE	1
44	TORNILLO	091AGPR30	NONE	NONE	091AGPR30	NONE	1
45	CONDENSADOR DE INICIO	091AGPH40	NONE	NONE	091AGPH40	NONE	1
46	CORBATA	091SWHD46	NONE	NONE	091SWHD46	NONE	2



Bombas de Agua Residual Modelo: SW40, SW50 y SWHDSeries Garantía

Por un período de tiempo no superior a tres (3) años después de la compra original del producto en cuestión, y sujeto a las condiciones de esta Garantía Limitada, Ashland Pump reparará o reemplazará para el comprador original únicamente, cualquier parte de su nuevo producto Ashland Pump que resulte contener materiales defectuosos o manufactura defectuosa, siempre y cuando el producto sea instalado apropiadamente, reciba servicio de mantenimiento apropiado y sea operado apropiadamente bajo condiciones normales y de acuerdo con las instrucciones del fabricante. Ashland Pump niega toda responsabilidad, incluyendo la responsabilidad bajo esta Garantía Limitada, por instalación, aplicación o uso incorrectos de sus productos. Ashland Pump deberá tener y poseer el criterio exclusivo para determinar si se debe reparar o reemplazar equipos, piezas o componentes defectuosos con una pieza nueva o remanufacturada. Cualquier elemento a ser reemplazado bajo esta Garantía debe ser devuelto con flete prepagado a Ashland Pump, o a cualquier otro lugar que Ashland Pump pudiera designar. En ausencia de un comprobante apropiado de la fecha de compra, la fecha de vigencia de esta garantía se basará en la fecha de fabricación evidenciada por el número de serie del producto.

No hay otra garantía explícita o implícita que cubra su producto Ashland Pump. Sin limitar lo anterior, Ashland Pump niega específicamente las garantías implícitas de comerciabilidad y conveniencia para un propósito específico. Ninguna garantía o declaración hecha en algún momento por algún representante de Ashland Pump variará o ampliará las estipulaciones de esta Garantía Limitada escrita. Esta Garantía Limitada contiene el remedio exclusivo para el comprador por cualquier supuesto defecto en el producto.

Hasta el mayor alcance permitido por ley aplicable, Ashland Pump no será responsable por daños consiguientes, secundarios o especiales que resulten o estén relacionados de alguna manera con cualquier producto o piezas de Ashland Pump. Podrían ocurrir lesiones personales y/o daños a propiedades por instalación, aplicación o uso inapropiados de su producto Ashland Pump. Ashland Pump no deberá ser responsable de ninguna pérdida, daño o gasto resultante de la instalación o uso de su producto diferentes a los establecidos claramente en esta Garantía Limitada. En ningún caso, Ashland Pump deberá ser responsable del costo de la mano de obra en campo u otros cobros incurridos por cualquier comprador o usuario en el momento de retirar y/o re-instalar cualquier producto, pieza o componente de Ashland Pump o cualquier equipo de bombeo temporal u otros equipos. Algunos estados no permiten la exclusión o limitación de los daños secundarios o consiguientes, así que, la anterior limitación o exclusión podría no ser aplicable a usted.



Honesto, Profesional, Confiable

1899 Cottage Street, Ashland, Ohio 44805
Teléfono: 855 281-6830 • Fax: 877 326-1994
ashlandpump.com



P U M P

OPERATION, PERFORMANCE,
SPECIFICATIONS et MANUEL DE PIÈCES

SWH50/SWH100/SWH150/ SWH200 & SWHD100/ SWHD150/SWHD200 Pompes d'égouts Loures



SWHD100/SWHD150/SWHD200

SWH50/SWH100/SWH150/SWH200

- Merci d'avoir acheté cette pompe. Prenez le temps pour lire attentivement les instructions avant d'utiliser ce produit. Nous recommandons fortement que vous gardiez ce manuel d'instructions dans un endroit sûr pour la référence future.
- Référez-vous à notre site Web et au Centre des Produits pour les instructions supplémentaires d'installation et de fonctionnement s'il vous plaît .

MARKS AND MEANING:

⚠ DANGER *Danger "Danger" indique une situation dangereuse imminente qui, si elle n'est pas évitée, ENTRAINERA la mort ou des blessures graves.*

⚠ ADVERTISSEMENT *"Avertissement" indique une situation dangereuse imminente qui, si elle n'est pas évitée, PEUT entraîner la mort ou des blessures graves.*

⚠ ATTENTION *"Attention" indique une situation potentiellement dangereuse qui, si elle n'est pas évitée, PEUT entraîner des blessures mineures ou modérées.*

IMPORTANT

Avant l'installation, recordez le numéro du modèle, Date de MFG, Ampère, le Voltage, la phase et HP de la plaque signalétique de la pompe pour la référence future. Notez également le voltage et les lectures de courant au démarrage.

Modèles monophasés		Numéro du Modèle: _____
Amps:	Volts:	Datede MFG: _____
Modèles deuxphasés		Phase: _____
Amps L1-2:	Volts L1-2:	HP: _____
Amps L2-3:	Volts L2-3:	SN _____
Amps L3-1:	Volts L3-1:	



Pompes d'égouts

Modèles: SWH/SWHD Séries

Information de sécurité générale

Avant l'installation, lisez ce qui suit dans les instructions attentivement. Le défaut de suivre les instructions et l'information de sécurité pourrait causer des blessures corporelles graves, la mort et / ou des dommages matériels. Chaque pompe d'Ashland est individuellement testée en usine pour assurer la performance correcte. Suivre ces instructions permettra d'éliminer les problèmes de fonctionnement potentiels assurant des années de service sans problème.

La plupart des accidents peuvent être évités en utilisant le sens commun. IMPORTANT- La pompe d'Ashland n'est pas responsable pour les pertes, les blessures ou la mort résultant du non-respect de ces consignes de sécurité, l'abus ou mauvaise utilisation de pompes ou de l'équipement.

⚠ DANGER Tous les produits retournés doivent être nettoyés, désinfectés ou décontaminés avant l'expédition, afin que les employés ne soient pas exposés à des risques de santé dans la manipulation desdits matériaux.



Toutes les lois et les règlements en vigueur sont applicables.

⚠ ADVERTISSEMENT Les pompes équipées en bronze/laiton contiennent des niveaux de plomb élevés que considéré comme sûr pour les systèmes d'eau potable. Les organismes gouvernementaux ont déterminé que les alliages de cuivre au plomb ne doivent pas être utilisés dans des applications d'eau potable.

⚠ ADVERTISSEMENT L'installation, le câblage, et les connexions de jonction doivent être conformes au Code national de l'électricité et à tous les codes d'état et locales applicables.

⚠ ADVERTISSEMENT L'installation et l'entretien doit être effectué uniquement par du personnel qualifiés.

⚠ DANGER Les Machines tournantes. L'amputation ou les lacérations graves peuvent en résulter. Restez à l'écart des ouvertures d'aspiration et de refoulement. N'insérez PAS les doigts dans la pompe avec une puissance connectée.

⚠ ADVERTISSEMENT Portez toujours la protection des yeux lorsqu'on travaille sur les pompes. Ne portez pas de vêtements amples qui pourraient se coincer dans les pièces mobiles.

⚠ DANGER Les pompes accumulent la chaleur et de la pression pendant le fonctionnement. Attendez du temps pour les pompes refroidissent avant de la manipulation ou de l'entretien.

⚠ DANGER Le voltage dangereux peut électrocuter, brûler ou provoquer la mort. Cette pompe est pas destinée à une utilisation dans des piscines ou des installations d'eau où le contact humain avec le fluide pompé est possible.

⚠ DANGER Risque de choc électrique. Pour réduire le risque de choc électrique, débranchez toujours la pompe de la source d'alimentation avant de les manipuler. **Verrouiller l'alimentation & tag**

⚠ ADVERTISSEMENT Ne pas utiliser ces pompes dans l'eau plus de 145 ° F. Ne dépassez pas les performances maximales recommandées par le fabricant, car cela pourrait provoquer une surchauffe du moteur.

⚠ ATTENTION Assurez-vous que les poignées de levage sont solidement attachées à chaque fois avant de soulever.

⚠ DANGER Ne soulevez pas, ni transportez ni suspendez la pompe par les câbles électriques. Les dommages aux câbles électriques peuvent provoquer des décharges, des brûlures ou la mort. Ne manipulez jamais les cordons d'alimentation connectés avec les mains mouillées. Utiliser un appareil de levage approprié.

⚠ ADVERTISSEMENT Le puisard et les pompes d'eaux usées manipulent souvent des matériaux qui pourraient causer une maladie ou d'une maladie. Portez des vêtements de protection adéquats lorsqu'on travaille sur une pompe ou une tuyauterie utilisée. N'entrez jamais dans un bassin après qu'il a été utilisé.

⚠ DANGER Le défaut de mise à la terre de façon permanente la pompe, le moteur et les commandes avant de brancher sur le courant peuvent provoquer un choc, des brûlures ou la mort

⚠ DANGER Ces pompes NE doivent PAS être installées dans des endroits classés comme dangereux conformément au Code National Electrique, ANSI / NFPA 70.

⚠ ADVERTISSEMENT N'introduisez pas dans les égouts, soit directement, soit à travers une unité d'élimination des déchets de cuisine ou les toilettes: les Coquilles de fruits de mer, le Gravier de l'Aquarium, la Litière pour le Chat, l' Objets en plastique, les Serviettes hygiéniques ou les Tampons, les Couches, les chiffons, les lingettes jetables ou le Tissu, Les médicaments, la Matière inflammable, l' Huile ou la Graisse, les Produits Fortement Chimiques, l' Essence.

- L'opération contre une vanne de décharge fermée entraînera la défaillance du palier prématuré et d'étanchéité sur toute pompe.
- Tout le câblage des pompes doit être effectué par un électricien qualifié.
- Le câble doit être protégé à tout moment pour éviter les crevaisons, les coupures, des ecchymoses et des écorchures, inspectez fréquemment.
- Ne manipulez jamais les cordons d'alimentation connectés avec les mains mouillées.
- Ne laissez jamais les cordons ou les fiches se trouver dans l'eau à l'extérieur du puisard.
- Ces pompes sont offertes dans une configuration de câblage triphasé et monophasé. Les voltages varient selon l'application et peuvent être vus dans les tableaux de ce manuel.



Pompes d'égouts

Modèles: SWH/SWHD Séries

Spécifications

Modèle	CV	Hz	Volts/Ph	T/MIN	Amp pleine charge	code démarrage NEMA	Typee de cordon	Taille de cordon	Cordon O.D.	Matériau de pompe			
										Volute	Carter	Roue	Axe
SWH50M1-20	1/2	60	115/1	3450	12.0	P	SOW	16AWG/3C	.430	Fonte	Fonte	Fonte	Inox
SWH50M2-20	1/2	60	230/1	3450	6.0	P	SOW	16AWG/3C	.430	Fonte	Fonte	Fonte	Inox
SWH50M3-20	1/2	60	230/3	3450	4	P	SOW	16AWG/4C	.460	Fonte	Fonte	Fonte	Inox
SWH50M4-20	1/2	60	460/3	3450	2	P	SOW	16AWG/4C	.460	Fonte	Fonte	Fonte	Inox
SWH50M5-20	1/2	60	208/1	3450	6.8	P	SOW	16AWG/3C	.430	Fonte	Fonte	Fonte	Inox
SWH50M6-20	1/2	60	208/3	3450	4.2	P	SOW	16AWG/4C	.460	Fonte	Fonte	Fonte	Inox
SWH100M2-20	1	60	230/1	3450	11	P	SOW	16AWG/3C	.430	Fonte	Fonte	Fonte	Inox
SWH100M3-20	1	60	230/3	3450	6.6	P	SOW	16AWG/4C	.460	Fonte	Fonte	Fonte	Inox
SWH100M4-20	1	60	460/3	3450	3.3	P	SOW	16AWG/4C	.460	Fonte	Fonte	Fonte	Inox
SWH100M5-20	1	60	208/1	3450	12	P	SOW	16AWG/3C	.430	Fonte	Fonte	Fonte	Inox
SWH100M6-20	1	60	208/3	3450	6.8	P	SOW	16AWG/4C	.460	Fonte	Fonte	Fonte	Inox
SWH150M2-20	1-1/2	60	230/1	3450	13.8	P	SOW	14AWG/3C	.575	Fonte	Fonte	Fonte	Inox
SWH150M3-20	1-1/2	60	230/3	3450	7.6	P	SOW	16AWG/4C	.460	Fonte	Fonte	Fonte	Inox
SWH150M4-20	1-1/2	60	460/3	3450	3.8	P	SOW	16AWG/4C	.460	Fonte	Fonte	Fonte	Inox
SWH150M5-20	1-1/2	60	208/1	3450	15	P	SOW	14AWG/3C	.575	Fonte	Fonte	Fonte	Inox
SWH150M6-20	1-1/2	60	208/3	3450	7.8	P	SOW	16AWG/4C	.460	Fonte	Fonte	Fonte	Inox
SWH200M2-20	2	60	230/1	3450	18	L	SOW	14AWG/3C	.575	Fonte	Fonte	Fonte	Inox
SWH200M3-20	2	60	230/3	3450	9	L	SOW	16AWG/4C	.460	Fonte	Fonte	Fonte	Inox
SWH200M4-20	2	60	460/3	3450	4.5	L	SOW	16AWG/4C	.460	Fonte	Fonte	Fonte	Inox
SWH200M5-20	2	60	208/1	3450	20	L	SOW	12AWG/3C	.655	Fonte	Fonte	Fonte	Inox
SWH200M6-20	2	60	208/3	3450	10.4	L	SOW	16AWG/4C	.460	Fonte	Fonte	Fonte	Inox
SWHD100M2-20	1	60	230/1	3450	11	P	SOW	16AWG/3C	.430	Fonte	Fonte	Fonte	Inox
SWHD100M3-20	1	60	230/3	3450	6.6	P	SOW	16AWG/4C	.460	Fonte	Fonte	Fonte	Inox
SWHD100M4-20	1	60	460/3	3450	3.3	P	SOW	16AWG/4C	.460	Fonte	Fonte	Fonte	Inox
SWHD100M5-20	1	60	208/1	3450	12	P	SOW	16AWG/3C	.430	Fonte	Fonte	Fonte	Inox
SWHD100M6-20	1	60	208/3	3450	6.8	P	SOW	16AWG/4C	.460	Fonte	Fonte	Fonte	Inox
SWHD150M2-20	1-1/2	60	230/1	3450	13.8	P	SOW	14AWG/3C	.575	Fonte	Fonte	Fonte	Inox
SWHD150M3-20	1-1/2	60	230/3	3450	7.6	P	SOW	16AWG/4C	.460	Fonte	Fonte	Fonte	Inox
SWHD150M4-20	1-1/2	60	460/3	3450	3.8	P	SOW	16AWG/4C	.460	Fonte	Fonte	Fonte	Inox
SWHD150M5-20	1-1/2	60	208/1	3450	15	P	SOW	14AWG/3C	.575	Fonte	Fonte	Fonte	Inox
SWHD150M6-20	1-1/2	60	208/3	3450	7.8	P	SOW	16AWG/4C	.460	Fonte	Fonte	Fonte	Inox
SWHD200M2-20	2	60	230/1	3450	18	L	SOW	14AWG/3C	.575	Fonte	Fonte	Fonte	Inox
SWHD200M3-20	2	60	230/3	3450	9	L	SOW	16AWG/4C	.460	Fonte	Fonte	Fonte	Inox
SWHD200M4-20	2	60	460/3	3450	4.5	L	SOW	16AWG/4C	.460	Fonte	Fonte	Fonte	Inox
SWHD200M5-20	2	60	208/1	3450	20	L	SOW	12AWG/3C	.655	Fonte	Fonte	Fonte	Inox
SWHD200M6-20	2	60	208/3	3450	10.4	L	SOW	16AWG/4C	.460	Fonte	Fonte	Fonte	Inox

Remarque: Toutes les dimensions ont une tolérance de + 1/8"



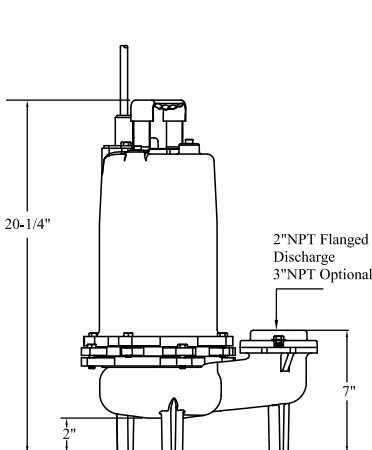
Pompes d'égouts

Modèles: SWH/SWHD Séries

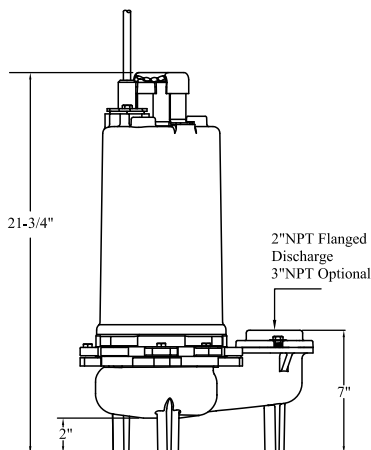
Spécifications

Description:	Tpour pomper les eaux usées indus trielle domestique, commercial et industriel léger
Donnees Physiques:	
TAILLE DE DÉCHARGE	2" NPT Flanged Discharge, 3" NPT Optional
TYPE DE L'IMPELLEUR	Vortex – Fonte
LONGUEUR DU CÂBLE	20'
Manipulation De Liquide:	
TAILLE DES SOLIDES	2"
GAMME DE PH ACCEPTABLE	6-8
Temperature:	
STATOR MAXIMAL	130°C
TEMPERATURE LIQUIDE MAXIMALE	104°F - Intermittent
Donnees Techniques:	
TYPE DE CORDON D'ALIMENTATION	SOW
BOÎTIER DU MOTEUR	Fonte
VOLUTE	Fonte
IMPELLEUR	Fonte
ARBRE DU MOTEUR	SS416
MATÉRIEL	SST
ANNEAU D"O"	NBR
SCELLÉS	Mechanique Simple Carbone / Céramique
PALIER SUPÉRIEUR	6203
PALIER INFÉRIEUR	6203 pour SWH séries, 6204 pour SWHD séries

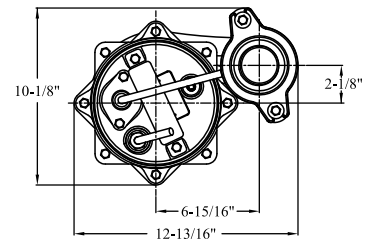
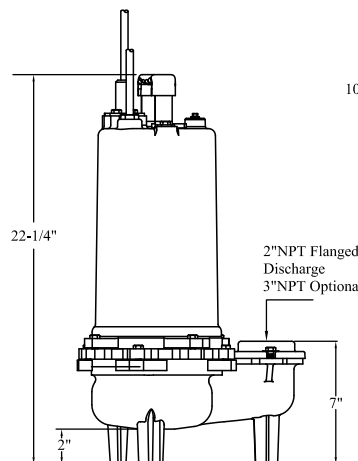
SWH50/SWH100
SWH150/SWH200 Series



SWH200M2/SWH200M5



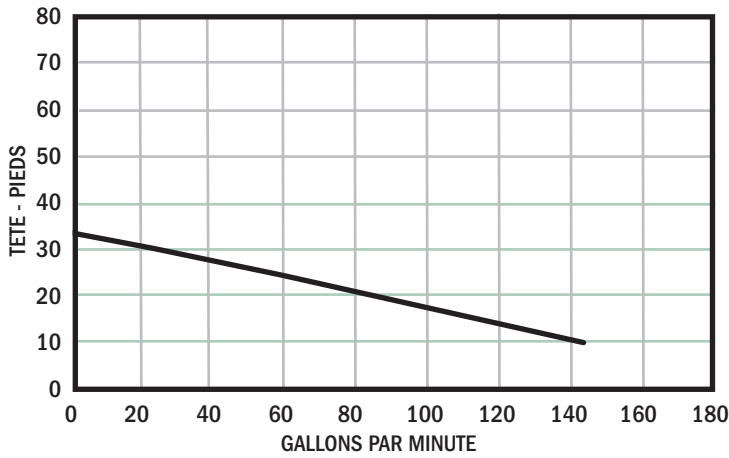
SWHD100/SWHD150
SWHD200 Series



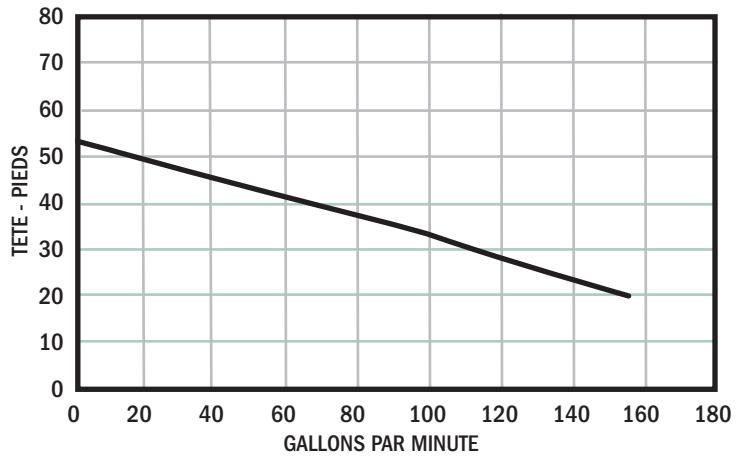


Pompes d'égouts Modèles: SWH/SWHD Séries Performance

SWH50 COURBE DE LA PERFORMANCE



SWH100 & SWHD100 COURBE DE LA PERFORMANCE



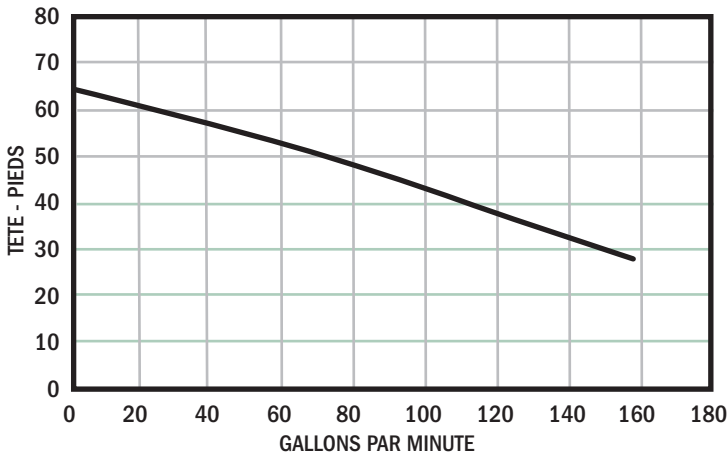
SWH50 DIAGRAMME DE LA PERFORMANCE

Levage total (pieds)	10	20	25	30	32
GPM	140	85	56	20	0

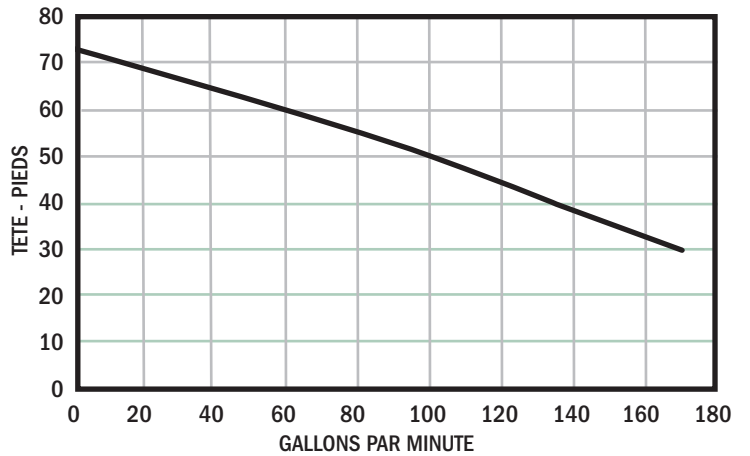
SWH100 & SWHD100 DIAGRAMME DE LA PERFORMANCE

Levage total (pieds)	20	25	30	40	50	52
GPM	155	134	110	62	10	0

SWH150 & SWHD150 COURBE DE LA PERFORMANCE



SWH200 & SWHD200 COURBE DE LA PERFORMANCE



SWH150 & SWHD150 DIAGRAMME DE LA PERFORMANCE

Levage total (pieds)	30	35	40	45	50	64
GPM	152	133	114	92	72	0

SWH200 & SWHD200 DIAGRAMME DE LA PERFORMANCE

Levage total (pieds)	30	40	50	60	68	72
GPM	180	144	106	60	20	0



Pompes d'égouts Modèles: SWH/SWHD Séries Réception et Installation

Inspection de Réception

Dès la réception de la pompe, il doit être inspecté pour des dommages directs ou les shortages. En cas de dommage, déposez immédiatement une réclamation auprès de l'entreprise qui a livré la pompe. Si le manuel est retiré de l'emballage, ne perdez pas ni égarez.

Stockage

Tout produit qui est stocké pour une période plus de six (6) mois à compter de la date d'achat doit être testé au banc avant l'installation. Un banc d'essai se compose de, la vérification de la roue pour assurer qu'il est tournant gratuit et un test de fonctionnement pour assurer que le moteur (et basculez si elle est fournie) fonctionne correctement. Ne pompez pas de liquide.



ADVERTISSEMENT

IMPORTANT! Un dégagement sous

la pompe pour l'entrée des solides des eaux usées doit être un minimum de 2 pouces à un maximum de 3.5 pouces.

Submersion

La pompe doit toujours être utilisée dans les conditions submergée. Le niveau de liquide de cuve minimale ne devrait jamais être inférieur au-dessus de la volute de la pompe (voir figure1)

Installation

Le puisard ou le bassin doivent être scellés et évacués conformément aux codes de plomberie locaux. Cette pompe est conçue pour pomper les eaux usées domestiques, les liquides non- explosifs et and non- corrosifs et ne doivent pas être installés dans des endroits classés comme dangereux en conformité avec le Code Electrique National (CEN) ANSI/ NFPA 70 ou Code Canadien de l'Électricité (CCE). Cette pompe devrait ne jamais être installée dans une tranchée, ou un trou avec un fond de terre. Les jambes vont sombrer dans la saleté et l'aspiration sera bouchée.



FIGURE 1

Tuyauterie de décharge

Installez la tuyauterie de décharge ou l'assemblée du tuyau à la pompe. La tuyauterie de décharge doit être le plus courte possible et dimensionnée ne plus petit que le décharge de la pompe. Ne réduisez pas la taille du tuyau de décharge inférieur à celui qui est prévu sur la pompe. Les deux, un clapet d'anti-retour et une vanne d'arrêt sont recommandés pour chaque pompe. Le clapet d'anti-retour est utilisé pour empêcher le reflux dans le puisard. La vanne d'arrêt est utilisée pour arrêter manuellement le débit du système lors du service de la pompe. Soyez sûr que le tuyau de décharge a un trou de 1/8 "de diamètre environ. 5 "de la volute la plus proche de l'extrémité et l'orientée vers le corps de pompe.

Panneau de Contrôle

Les broyeurs de la série monophasés NE nécessitent PAS un panneau de contrôle.

Moteur: Chaque moteur est fourni de thermostats de capteur de chaleur fixés directement aux enroulements du moteur. Les thermostats ouvrent si les enroulements du moteur voient la chaleur excessive et, à son tour, ouvrent le contacteur du moteur dans le panneau de contrôle lorsqu'il est utilisé, en brisant le pouvoir à la pompe. Lorsque le moteur est arrêté en raison d'un état de surchauffe, il ne

Pré-opération

VERIFIER LE VOLTAGE ET LA PHASE

Avant de fonctionner la pompe, assurez-vous que le voltage et l'information de la phase estampillée sur la plaque d'identification de la pompe correspond à la puissance disponible.

CHECK LA ROTATION DE LA POMPE

Avant de mettre la pompe en service pour la première fois, la rotation du moteur doit être vérifiée. Une mauvaise rotation du moteur peut entraîner des performances de la pompe pauvres et peut endommager le moteur et / ou la pompe.

PLAQUE D'IDENTIFICATION

Notez les numéros sur la plaque d'identification des pompes et inscrivez à la fin de ce manuel pour la référence future.

Connexions Electriques



Atteignez le disjoncteur avant de brancher ou de débrancher le commutateur et / ou de la pompe.

Comptez sur toujours un électricien certifié pour l'installation.



Pompes d'égoûts Modèles: SWH/SWHD Séries Réception et Installation

Il est recommandé que le flotteur de contrôle de niveau doit être réglé de sorte que le liquide dans le puisard ne descend jamais au-dessous de la partie supérieure du carter du moteur. Le contrôle du niveau doit avoir un dégagement suffisant pour qu'il ne puisse raccrochez dans sa balançoire et que la pompe sois complètement immergée lorsque le contrôle de niveau est en mode "Eteint". La longueur de la sangle minimale est de 3,50 ". En ajustant l'attache du cordon le niveau de contrôle peut être changé. **N'UTILISEZ PAS LA PUISSANCE NI LE CONTROLE POUR LEVER LA POMPE.**

Essai de pomper vers le bas- assurez-vous que la pompe a été branchée, abaissée dans le bassin ou le puisard. vérifiez le système en remplissant de liquide et laissant la pompe fonctionner sur tout son cycle de pompage. Le temps nécessaire pour vider le système, ou le temps de pomper vers le bas avec la volute ou l'eau, devraient être enregistrés.

Protection Thermique

Les moteurs sont protégés par un capteur thermique ou de surcharge thermique selon le modèle et l'alimentation en monophasé ou en triphase.

Entretien

L'entretien minimal est nécessaire. Effectuez les contrôles suivants lorsque la pompe est retirée du fonctionnement ou lorsque les performances de la pompe se détériore:

- Inspectez les chambres à moteur pour le niveau d'huile et la contamination.
- Inspectez l'impelleur et le corps pour une accumulation excessive ou l'obstruction
- Inspectez le moteur et les paliers.
- Inspectez le joint pour l'usure ou la fuite.

Service

Huile de refroidissement - Chaque fois que la pompe est retirée du fonctionnement, l'huile de refroidissement dans le carter du moteur doit être vérifié visuellement le niveau d'huile et la contamination. Pour vérifier l'huile, l'appareil réglé en position verticale. Retirez le bouchon du tuyau du boîtier. Avec une lampe de poche, inspectez visuellement l'huile dans le carter pour vous assurer qu'il est propre et claire, ambre pâle et exempte de particules en suspension. L' Huile blanche laiteuse indique la présence d'eau. Le niveau d'huile doit être juste au-dessus du moteur lorsque la pompe est en position verticale.

Essai à l'huile

- Vidangez l'huile dans un récipient propre et sec, en plaçant la pompe sur son côté. Retirez le bouchon du tuyau, du logement.
- Vérifiez l'huile de contamination à l'aide d'un testeur d'huile avec une gamme vers le bas de 30 kilovolts.
- Si l'huile se trouve à être propre et non contaminé (mesurant plus de 15 KV. Vers le bas), remplissez le boîtier.

- Si l'huile se trouve à être sale ou contaminé (ou les mesures inférieures à 15 KV. vers le bas), la pompe doit être soigneusement inspectée pour les fuites au niveau du joint d'arbre, l'assemblage des câbles, l'anneau d'O et la prise de tuyau, avant de le remplir avec de l'huile. Pour localiser la fuite, effectuez les tests de pression suivantes.

Après que la fuite est réparée, éliminez l'huile usagée, et remplissez d'huile neuve.



La pression monte extrêmement rapide, augmenter la pression par la buse d'air de "TOPOTEMENT". Trop de pression va endommager le joint. **NE dépassez PAS 10 P.S.I.**

Test de Pression du Boîtier du Moteur:

Si l'huile a été vidangé, remplissez jusqu'au niveau normal avant d'effectuer l'essai de pression. Retirez la fiche de tuyau du boîtier du moteur.

Appliquez le produit d'étanchéité pour faire pression sur l'assemblage de la jauge et serrez dans le trou. Ressurissez le carter du moteur supérieure à 10 P.S.I. Utilisez de l'eau savonneuse autour de la zone scellée au-dessus du niveau d'huile et inspectez pour les "bulles d'air". Pour les zones scellées sous le niveau de l'huile, les fuites vont infiltrer l'huile. Si, au bout de cinq minutes, la pression tient toujours constant, et pas de "bulles"/ infiltration huile est observée, saignez lentement la pression et retirez l'assemblée de la jauge. Remplacez l'huile. La fuite doit être localisée et réparée si la pression ne tient pas.

Boîtier du Moteur de Remplacement d'Huile

Retirez la fiche de tuyau du Boîtier du Moteur. Vidangez toute l'huile (s'il n'est pas déjà fait) du carter de moteur et éliminez correctement par le Code Local. Mettez la pompe verticale et remplissez d'huile neuve de refroidissement, voyez le graphique " l'huile de refroidissement ". Remplissez à juste au-dessus du moteur (1.2L) comme un espace d'air doit rester dans la partie supérieure de la carcasse du moteur pour compenser la dilatation de l'huile. Appliquez une pâte à joint sur le filetage de bouchon puis les assemblez au boîtier du moteur. Vérifiez que l'anneau d'O est en place et n'a pas besoin d'être remplacé. Remontez le bouchon du cordon au boîtier du moteur.



NE remplissez PAS trop d'huile. Un remplissage excessif du boîtier avec de l'huile peut créer une pression hydraulique excessive et dangereuse qui peut détruire la pompe et créer un risque. L' Huile remplis sage excessif annule la garantie.

Le Refroidissement du Fournisseur/Qualité Recommandé de Pétrole	
BP	Enerpar SE100
Conoco	Pale Paraffin 22
Mobile	D.T.E. Oil Light
Shell Canada	Transformer-10
Texaco	Diala-Oil-AX



ADVERTISSEMENT

Avant tout travail de service est fait, déconnectez et verrouillez l'alimentation électrique à la pompe.



Pompes d'égouts Modèles: SWH/SWHD Séries Installation et Service

Volute - Retirez le boulon à tête hexagonale de la volute.

Impelleur - Retirez l'impelleur en tournant dans le sens antihoraire tout en maintenant l'arbre du moteur stationnaire avec un tournevis. Ne stockez pas la pompe sans impelleur en place.

Joint Extérieur - Manipulez les pièces d'étanchéité avec soin. Retirez le ressort et la partie tournante du joint de l'arbre. Examinez toutes les parties d'étanchéité. Inspectez les faces de contact pour les signes de pistes d'usure inégale sur le visage stationnaire, les croustilles et les rayures sur chaque face d'étanchéité. N'échangez pas les composants d'étanchéité, remplacez le joint d'arbre entier si c'est nécessaire.

Plaque d'Etanchéité - Retirez les vis d'assemblage de la plaque d'étanchéité. Retirez la plaque d'étanchéité et l'anneau d'o.

Paliers - Utilisant un extracteur de palier ou une tonnelle presse retire le palier de l'arbre. Retirez le palier supérieur du moteur de l'arbre avec un extracteur de palier.

IMPORTANT!- Toutes les parts doivent être propres avant le remontage. Manipulez les parts d'étanchéité avec un soin extrême. N'endommagez PAS les surfaces rodées.



REMONTAGE

Palier - Veillez à ne pas endommager l'arbre du rotor lors du remplacement de roulement. Utilisant une presse à mandriner, maintenez le rotor et appuyez sur le palier supérieur sur l'arbre du rotor, appliquant une force sur la bague intérieure du roulement seulement. De la même manière remplacez le palier inférieur sur l'arbre de rotor.

Boîtier d'Etanchéité- Graissez et mettez l'anneau d'O dans la rainure de la plaque d'étanchéité. Placez la plaque d'étanchéité sur l'arbre et sur le boîtier d'étanchéité, en étant sûr que l'anneau d'O ne soit pas tordu et dans la gorge. Placez les quatre vis à travers des trous dans le boîtier d'étanchéité et dans la plaque d'étanchéité et le torque à 6,5 ft / lbs.

Joint Extérieur - Nettoyez et huilez la cavité de joint stationnaire dans une plaque d'étanchéité. Faites glisser l'outil de guide du joint sur l'arbre du moteur. Huilez légèrement (N'utilisez pas de graisse) la surface extérieure de l'élément fixe du joint

Appuyez sur la papeterie fermement dans la plaque d'étanchéité à l'aide d'un outil de poussoir du joint. Assurez-vous que l'élément fixe est en droite. Rien mais l'outil d'étanchéité est d'entrer en contact avec la face d'étanchéité.



IMPORTANT ! Ne frappez pas sur le poussoir d'étanchéité. Cela pourrait endommager la face du joint.

Avec la surface rodée de l'élément rotatif faisant face vers l'intérieur vers fixe, glissez l'élément rotatif sur l'arbre, jusqu'à ce que les faces rodées de joint stationnaire et la rotation sont ensemble.

Impelleur - Placez l'impelleur sur l'arbre du moteur en tournant dans le sens horaire. Le Composé de blocage de fil bleu est recommandé.

Volute - Placez la volute sur la plaque d'étanchéité. Placez l'écrou hexagonal à travers la volute et dans la plaque d'étanchéité et puis le torque uniformément à 11 ft/lbs.



Pompes d'égouts Modèles: SWH/SWHD Séries Installation

Installation de la pompe dans le puisard

Ces pompes sont généralement installées dans des bassins en béton ou en fibre de verre avec le système du rail de levage. La figure 3 montre la pompe montée sur le système du rail. Les instructions pour le système du rail d'installation sont meublées avec le paquet du rail.

Si la pompe n'est pas installée avec le système du rail de levage, il doit être correctement pris en charge sur les jambes et relié au tuyau de décharge de sorte que l'espace est fourni sous la pompe pour l'entrée des eaux usées. L'entrée de la pompe ne doit pas être moins de 2 pouces du fond du puisard.

Il n'est pas généralement souhaitable d'installer ces pompes sans le système du rail, sauf sur les systèmes emballés d'OEM spéciaux. Les clapets doivent toujours être installés avec des vannes d'arrêt. Cela permet de faciliter le service et empêche le retour dans le bassin.

Commencer la pompe après l'installation dans le Bassin de Puisard:

Avant d'abaisser la pompe dans le bassin, connectez les lignes d'alimentation et démarrez le moteur. L'impelleur doit tourner dans le sens antihoraire quand on regarde l'impelleur.

Service et Réparation

Important: La pompe doit être soigneusement nettoyé des ordures et les dépôts avant de commencer les opérations de démontage (pages 29-33).

AVERTISSEMENT

Débranchez tous les câbles électriques et les fils de contrôle au moteur sur le panneau

ATTENTION

La pompe d'exploitation accumule la chaleur et la pression; laissez le temps à la pompe pour refroidir à la température ambiante.

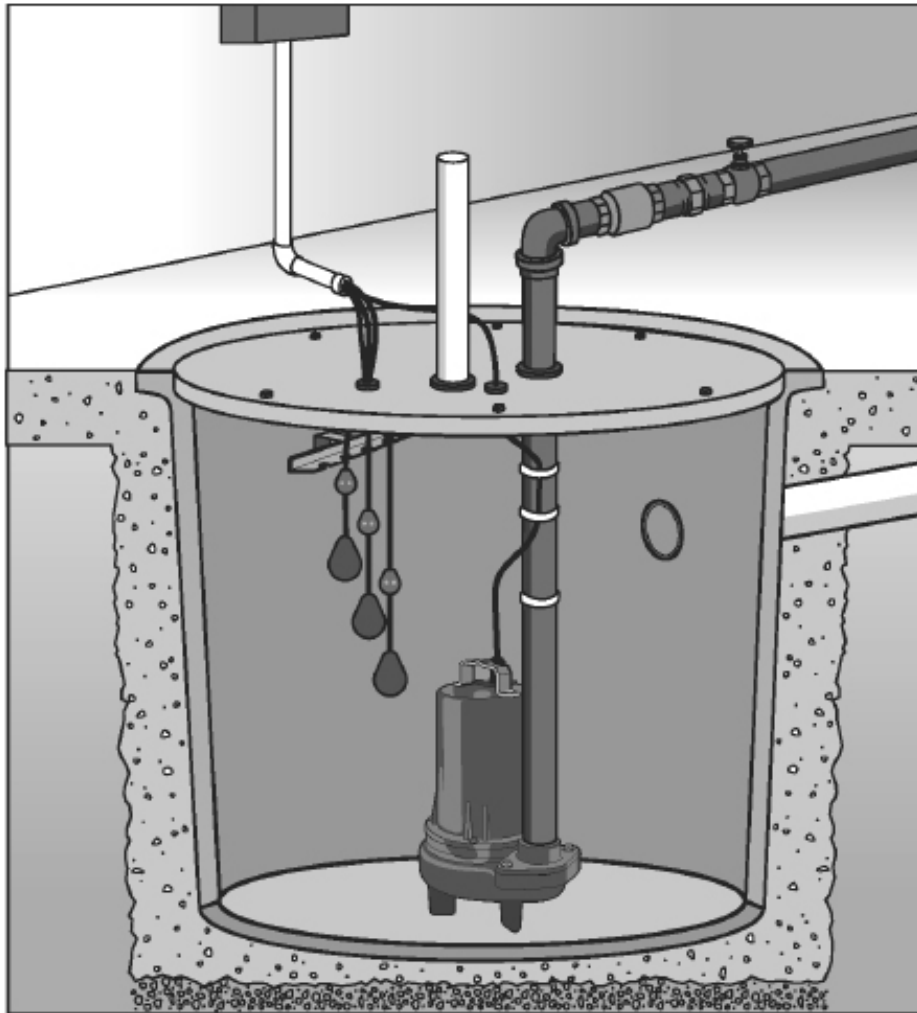


FIGURE 3



Pompes d'égouts

Modèles: SWH/SWHD Séries

Dépannage

PROBLEMES	CAUSES/SOLUTIONS POSSIBLES
LA POMPE NE FONCTIONNE PAS ET FAIT LE BOURDONNEMENT	<ul style="list-style-type: none"> Le disjoncteur de ligne est désactivé, ou le fusible est grillé ou en vrac. Le niveau d'eau dans le puisard n'est pas arrivé le niveau allumé comme indiqué dans le plan d'installation. Le cordon de la pompe ne fait pas contacter dans le réceptacle. Le flotteur est coincé. Il devrait marcher librement dans le bassin Si tout ce qui précède est OK, alors le moteur pourrait être défectueux.
LA POMPE MARCHE MAIS NE FOURNIT PAS D'EAU	<ul style="list-style-type: none"> Vérifiez si la vanne est installée à l'envers. La flèche sur la vanne doit pointer le sens de l'écoulement Déchargez la vanne éteint (si elle est utilisée) peut être fermée. L'impelleur ou les ouvertures de la volute sont totalement ou partiellement obstrués. Retirez la pompe et la nettoyez. La pompe est verrouillée à air. Démarrez et arrêtez à plusieurs reprises en branchant et en débranchant le cordon. Vérifiez l'évent bouché dans la boîte de la pompe. Les trous d'entrée dans la base de la pompe sont bouchés. Retirez la pompe et nettoyez les ouvertures. La distance de pompage vertical est trop élevé. Réduisez la distance ou modifiez les raccords de décharge de la pompe.
LA POMPE MARCHE ET POMPE DU PUISARD, MAIS N'ARRÊTE PAS.	<ul style="list-style-type: none"> Le flotteur est coincé en position vers le haut. Assurez-vous que le flotteur marche librement dans le bassin. L'interrupteur du flotteur défectueux. Remplacez l'interrupteur du flotteur
LA POMPE MARCHE MAIS SEULEMENT FOURNIT UNE PETITE QUANTITÉ D'EAU	<ul style="list-style-type: none"> La pompe est verrouillée à air. Démarrez et arrêtez à plusieurs reprises en branchant et en débranchant le cordon. La distance de pompage vertical est trop élevé. Réduisez la distance ou modifiez les raccords de décharge de la pompe. Les trous d'entrée dans la base de la pompe sont bouchés. Retirez la pompe et nettoyez la passoire et les ouvertures L'impelleur ou les ouvertures de la volute sont totalement ou partiellement obstrués. Retirez la pompe et la nettoyez. L'impelleur de la pompe est partiellement bouché provoquant moteur à fonctionner lentement et surcharger. Retirez la pompe et la nettoyez.
LE FUSIBLE SAUTE OU LE DISJONCTEUR SE DÉCLENCHE LORSQUE LA POMPE COMMENCE	<ul style="list-style-type: none"> L'impelleur de la pompe est partiellement bouché provoquant moteur à fonctionner lentement et surcharger. Retirez la pompe et la nettoyez. Le stator du moteur peut être défectueux. La taille du fusible ou le disjoncteur peut être trop petit. (doit être 15 ampères). L'impelleur ou les ouvertures de la volute sont totalement ou partiellement obstrués. Retirez la pompe et la nettoyez.
LE MOTEUR MARCHE POUR UN TEMPS COURT, ET PUIS, ARRÊTE.	<ul style="list-style-type: none"> Les trous d'entrée dans la base de la pompe sont bouchés. Retirez la pompe et nettoyez les ouvertures. L'impelleur de la pompe est partiellement bouché provoquant moteur à fonctionner lentement et surcharger. Retirez la pompe et la nettoyez. Le stator du moteur peut être défectueux. L'impelleur ou les ouvertures de la volute sont totalement ou partiellement obstrués. Retirez la pompe et la nettoyez. Nettoyez aussi le passoire si une est installée.

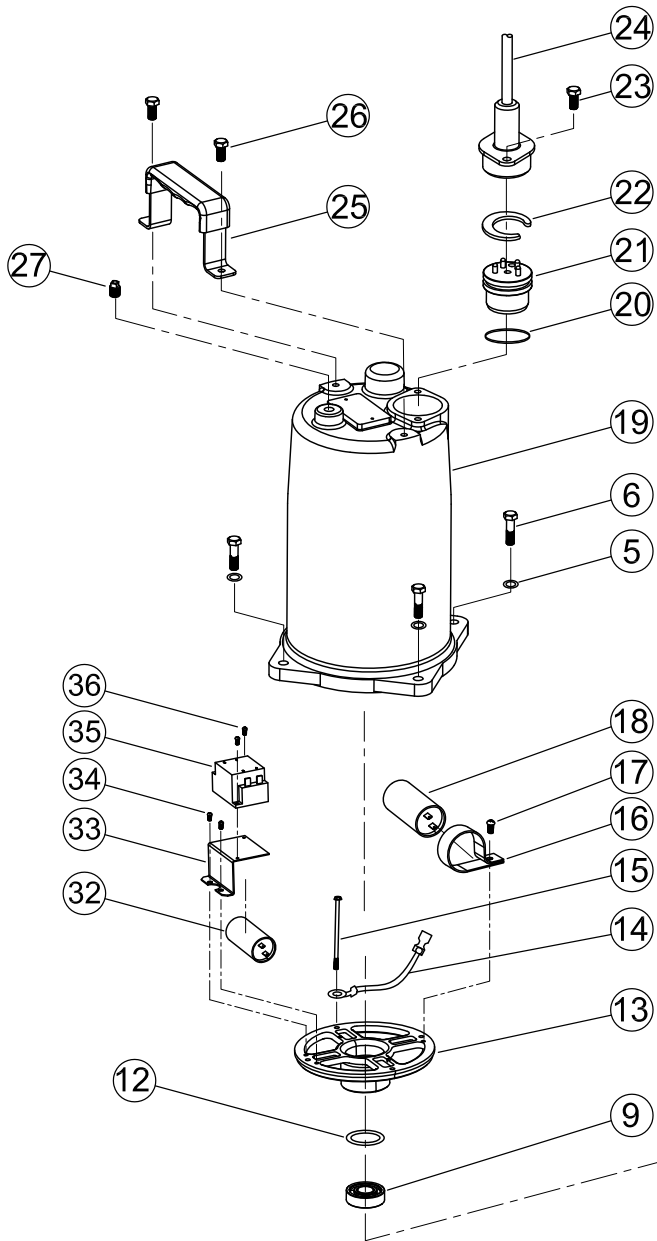
PRECAUTIONS ELECTRIQUES



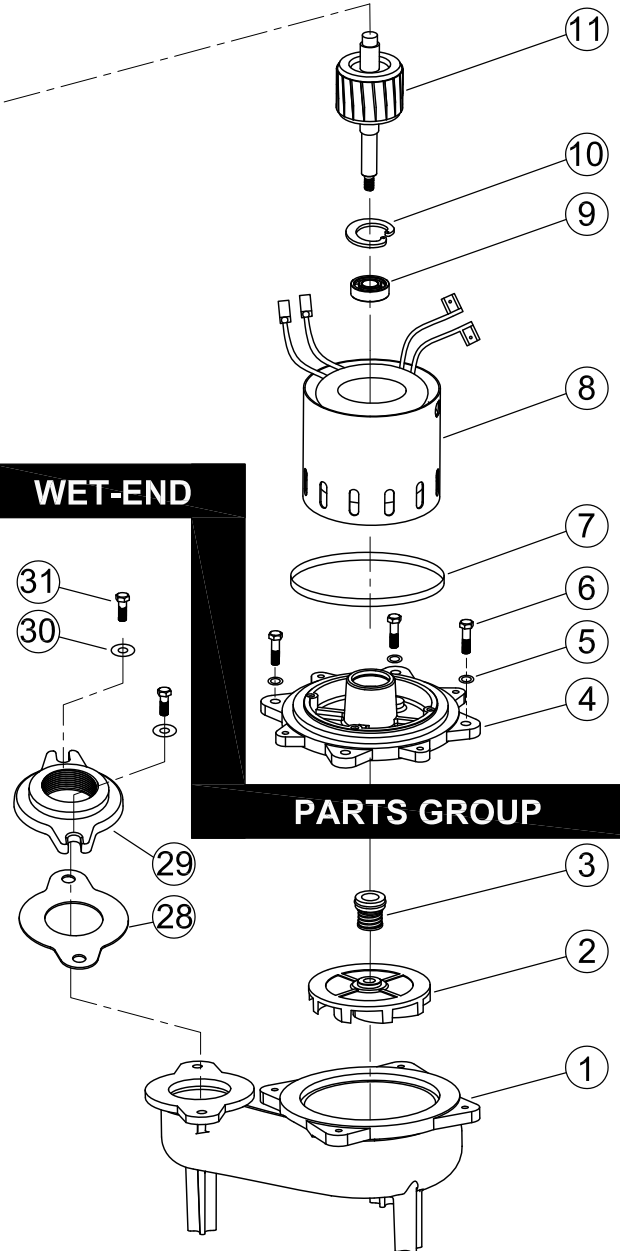
AVERTISSEMENT

Avant de réparer une pompe, coupez toujours le disjoncteur d'alimentation principale, et puis débranchez la pompe. Assurez-vous que vous n'êtes pas debout dans l'eau et portez des chaussures à semelle de protection isolés, dans des conditions inondées. Contactez votre compagnie d'électricité locale ou un électricien agréé qualifié pour déconnecter service

MOTOR PARTS GROUP



WET-END



PARTS GROUP



Pompes d'égouts

Modèles: SWH Séries

Pièces

Réf.	DESCRIPTION	N° DE PIÈCE pour modèles de pompe										QTY	
		SWH50M1-20	SWH50M2-20	SWH50M3-20	SWH50M4-20	SWH50M5-20	SWH50M6-20	SWH100M2-20	SWH100M3-20	SWH100M4-20	SWH100M5-20		SWH100M6-20
		115V/1PH	230V/1PH	230V/3PH	460V/3PH	208V/1PH	208V/3PH	230V/1PH	230V/3PH	460V/3PH	208V/1PH		208V/3PH
	GRUPE DE PIÈCES D'EXTRÉMITÉ HUMIDE	091SH0502A	091SH0502A	091SH0502A	091SH0502A	091SH0502A	091SH0502A	091SH1002A	091SH1002A	091SH1002A	091SH1002A		
1	VOLUTA	091SWH501	091SWH501	091SWH501	091SWH501	091SWH501	091SWH501	091SWH501	091SWH501	091SWH501	091SWH501	1	
2	TURBINE	091SWH502	091SWH502	091SWH502	091SWH502	091SWH502	091SWH502	091SWH102	091SWH102	091SWH102	091SWH102	1	
3	JOINT D'AXE	091EP5003	091EP5003	091EP5003	091EP5003	091EP5003	091EP5003	091EP5003	091EP5003	091EP5003	091EP5003	1	
28	JOINT	091SWH028	091SWH028	091SWH028	091SWH028	091SWH028	091SWH028	091SWH028	091SWH028	091SWH028	091SWH028	1	
29	BRIDE	091SWH231	091SWH231	091SWH231	091SWH231	091SWH231	091SWH231	091SWH231	091SWH231	091SWH231	091SWH231	1	
		091SWH331	091SWH331	091SWH331	091SWH331	091SWH331	091SWH331	091SWH331	091SWH331	091SWH331	091SWH331	1	
30	VIS	091SWH030	091SWH030	091SWH030	091SWH030	091SWH030	091SWH030	091SWH030	091SWH030	091SWH030	091SWH030	2	
31	RONDELLE	091SWH031	091SWH031	091SWH031	091SWH031	091SWH031	091SWH031	091SWH031	091SWH031	091SWH031	091SWH031	2	
	GRUPE DE PIÈCES DE MOTEUR	091SH0509A	091SH0510A	091SH0511A	091SH0511A	091SH0512A	091SH0511A	091SH1009A	091SH1010A	091SH1010A	091SH1011A		
4	PLAQUE DE GARNITURE	091EP5004	091EP5004	091EP5004	091EP5004	091EP5004	091EP5004	091EP5004	091EP5004	091EP5004	091EP5004	1	
5	RONDELLE	091EP5005	091EP5005	091EP5005	091EP5005	091EP5005	091EP5005	091EP5005	091EP5005	091EP5005	091EP5005	8	
6	VIS	091EP5006	091EP5006	091EP5006	091EP5006	091EP5006	091EP5006	091EP5006	091EP5006	091EP5006	091EP5006	8	
7	JOINT TORIQUE	091EP5007	091EP5007	091EP5007	091EP5007	091EP5007	091EP5007	091EP5007	091EP5007	091EP5007	091EP5007	1	
8	ENSEMBLE STATOR	091SWH519	091EP7509	091SWH539	091SWH549	091EP7509	091SWH539	091EP1009	091EP1039	091EP1049	091EP1009	1	
9	PALIER	091EP5010	091EP5010	091EP5010	091EP5010	091EP5010	091EP5010	091EP5010	091EP5010	091EP5010	091EP5010	2	
10	JOINT TORIQUE	091EP5011	091EP5011	091EP5011	091EP5011	091EP5011	091EP5011	091EP5011	091EP5011	091EP5011	091EP5011	1	
11	ENSEMBLE ROTOR	091SH0512	091SH0512	091SH0512	091SH0512	091SH0512	091SH1012	091SH1012	091SH1012	091SH1012	091SH1012	1	
12	RONDELLE ÉLASTIQUE	091EP5013	091EP5013	091EP5013	091EP5013	091EP5013	091EP5013	091EP5013	091EP5013	091EP5013	091EP5013	1	
13	COUMERCLE DE DESSUS	091EP5014	091EP5014	091EP5014	091EP5014	091EP5014	091EP5014	091EP5014	091EP5014	091EP5014	091EP5014	1	
14	FIL DE TERRE	091EP5015	091EP5015	091EP5315	091EP5315	091EP5015	091EP5315	091EP5015	091EP5315	091EP5015	091EP5315	1	
15	VIS	091SH0516	091SH0516	091SH0516	091SH0516	091SH0516	091SH0516	091SH1016	091SH1016	091SH1016	091SH1016	4	
16	COLLIER	091EP5017	091EP5017	NONE	NONE	091EP5017	NONE	091EP5017	NONE	NONE	091EP5017	1	
17	VIS	091EP5018	091EP5018	NONE	NONE	091EP5018	NONE	091EP5018	NONE	NONE	091EP5018	1	
18	CONDENSATEUR	091EP5019	091EP5019	NONE	NONE	091EP5019	NONE	091EP5019	NONE	NONE	091EP5019	1	
19	HOUSING	091EP5020	091EP5020	091EP5020	091EP5020	091EP5020	091EP5020	091EP5020	091EP5020	091EP5020	091EP5020	1	
20	ANNEAU-O	091EP5021	091EP5021	091EP5021	091EP5021	091EP5021	091EP5021	091EP5021	091EP5021	091EP5021	091EP5021	1	
21	ADAPTATEUR	091EP5022	091EP5022	091EP5322	091EP5322	091EP5022	091EP5322	091EP5022	091EP5322	091EP5022	091EP5322	1	
22	BAGUE DE RETENUE	091EP5023	091EP5023	091EP5023	091EP5023	091EP5023	091EP5023	091EP5023	091EP5023	091EP5023	091EP5023	1	
23	VIS	091EP5024	091EP5024	091EP5024	091EP5024	091EP5024	091EP5024	091EP5024	091EP5024	091EP5024	091EP5024	2	
24	CORDON D'ALIMENTATION	091EP5025	091EP5026	091EP5326	091EP5326	091EP5026	091EP5326	091EP5026	091EP5326	091EP5026	091EP5326	1	
25	POIGNÉE	091EP5027	091EP5027	091EP5027	091EP5027	091EP5027	091EP5027	091EP5027	091EP5027	091EP5027	091EP5027	1	
26	VIS	091EP5028	091EP5028	091EP5028	091EP5028	091EP5028	091EP5028	091EP5028	091EP5028	091EP5028	091EP5028	2	
27	ÉCROU	091EP5029	091EP5029	091EP5029	091EP5029	091EP5029	091EP5029	091EP5029	091EP5029	091EP5029	091EP5029	1	
32	CONDENSATEUR DE DEMARRAGE	NONE	NONE	NONE	NONE	NONE	NONE	NONE	NONE	NONE	NONE	1	
33	SUPPORT DE MONTAGE	NONE	NONE	NONE	NONE	NONE	NONE	NONE	NONE	NONE	NONE	1	
34	VIS	NONE	NONE	NONE	NONE	NONE	NONE	NONE	NONE	NONE	NONE	2	
35	COMMUTATEUR DE RELAIS	NONE	NONE	NONE	NONE	NONE	NONE	NONE	NONE	NONE	NONE	1	
36	VIS	NONE	NONE	NONE	NONE	NONE	NONE	NONE	NONE	NONE	NONE	2	



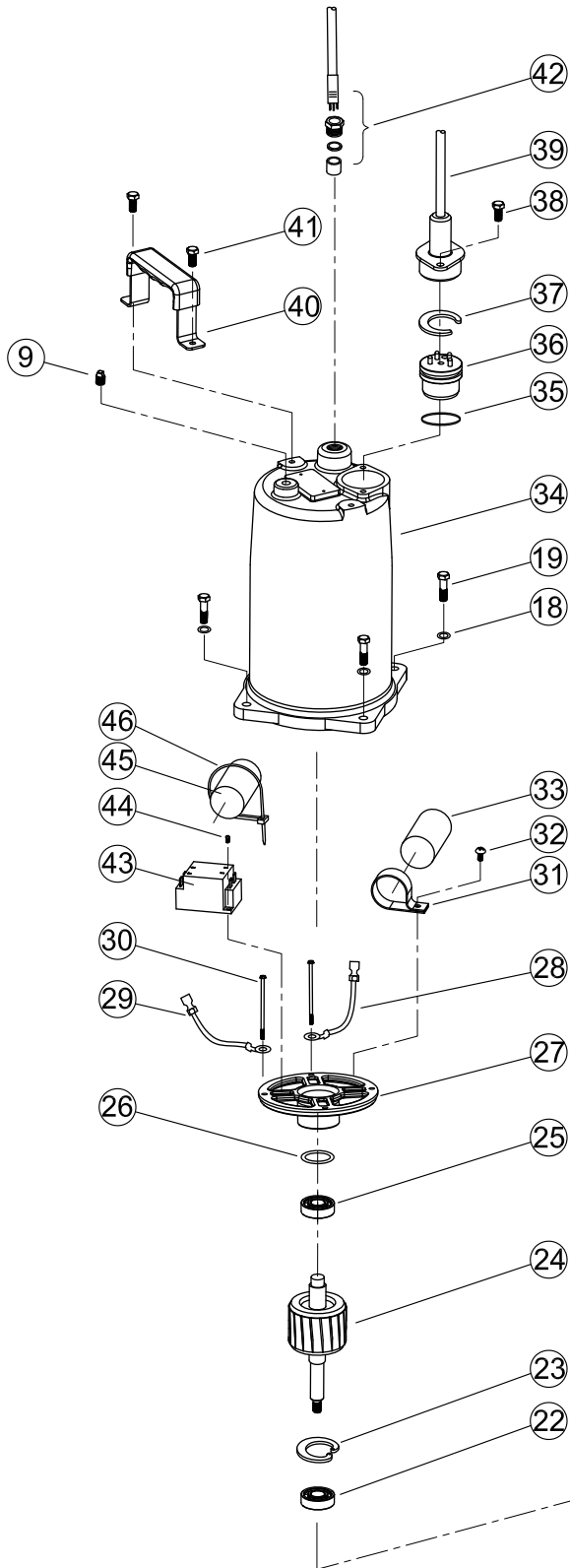
Pompes d'égouts

Modèles: SWH Séries

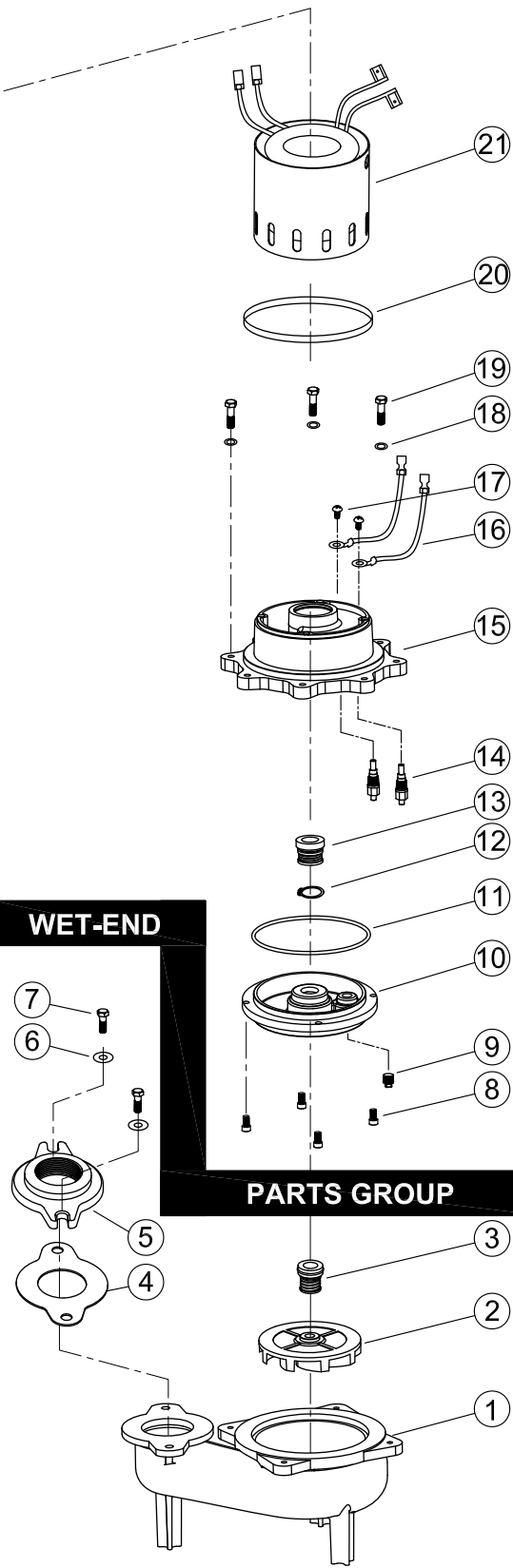
Pièces

Réf.	DESCRIPTION	N° DE PIÈCE pour modèles de pompe										QTY
		SWH150M2-20	SWH150M3-20	SWH150M4-20	SWH150M5-20	SWH150M6-20	SWH200M2-20	SWH200M3-20	SWH200M4-20	SWH200M5-20	SWH200M6-20	
		230V/1PH	230V/3PH	460V/3PH	208V/1PH	208V/3PH	230V/1PH	230V/3PH	460V/3PH	208V/1PH	208V/3PH	
	GROUPE DE PIÈCES D'EXTRÉMITÉ HUMIDE	091SH1502A	091SH1502A	091SH1502A	091SH1502A	091SH1502A	091SH2002A	091SH2002A	091SH2002A	091SH2002A	091SH2002A	
1	VOLUTA	091SWH501	091SWH501	091SWH501	091SWH501	091SWH501	091SWH501	091SWH501	091SWH501	091SWH501	091SWH501	1
2	TURBINE	091SWH152	091SWH152	091SWH152	091SWH152	091SWH152	091SWH202	091SWH202	091SWH202	091SWH202	091SWH202	1
3	JOINT D'AXE	091EP5003	091EP5003	091EP5003	091EP5003	091EP5003	091EP5003	091EP5003	091EP5003	091EP5003	091EP5003	1
28	JOINT	091SWH028	091SWH028	091SWH028	091SWH028	091SWH028	091SWH028	091SWH028	091SWH028	091SWH028	091SWH028	1
29	BRIDE	091SWH231	091SWH231	091SWH231	091SWH231	091SWH231	091SWH231	091SWH231	091SWH231	091SWH231	091SWH231	1
		091SWH331	091SWH331	091SWH331	091SWH331	091SWH331	091SWH331	091SWH331	091SWH331	091SWH331	091SWH331	1
30	VIS	091SWH030	091SWH030	091SWH030	091SWH030	091SWH030	091SWH030	091SWH030	091SWH030	091SWH030	091SWH030	2
31	RONDELLE	091SWH031	091SWH031	091SWH031	091SWH031	091SWH031	091SWH031	091SWH031	091SWH031	091SWH031	091SWH031	2
	GROUPE DE PIÈCES DE MOTEUR	091SH1509A	091SH1510A	091SH1510A	091SH1511A	091SH1510A	091SH2009A	091SH2010A	091SH2010A	091SH2011A	091SH2010A	
4	PLAQUE DE GARNITURE	091EP5004	091EP5004	091EP5004	091EP5004	091EP5004	091SW2004	091EP5004	091EP5004	091SW2004	091EP5004	1
5	RONDELLE	091EP5005	091EP5005	091EP5005	091EP5005	091EP5005	091EP5005	091EP5005	091EP5005	091EP5005	091EP5005	8
6	VIS	091EP5006	091EP5006	091EP5006	091EP5006	091EP5006	091EP5006	091EP5006	091EP5006	091EP5006	091EP5006	8
7	JOINT TORIQUE	091EP5007	091EP5007	091EP5007	091EP5007	091EP5007	091SWHD20	091EP5007	091EP5007	091SWHD20	091EP5007	1
8	ENSEMBLE STATOR	091SH1509	091SH1539	091SH1549	091SH1529	091 SH 1539	091SH2009	091SH2039	091SH2049	091SH2009	091SH2039	1
9	PALIER	091EP5010	091EP5010	091EP5010	091EP5010	091EP5010	091EP5010	091EP5010	091EP5010	091EP5010	091EP5010	2
10	JOINT TORIQUE	091EP5011	091EP5011	091EP5011	091EP5011	091EP5011	091EP5011	091EP5011	091EP5011	091EP5011	091EP5011	1
11	ENSEMBLE ROTOR	091SH1512	091SH1512	091SH1512	091SH1512	091SH1512	091SH2011	091SH2012	091SH2012	091SH2011	091SH2012	1
12	RONDELLE ÉLASTIQUE	091EP5013	091EP5013	091EP5013	091EP5013	091EP5013	091EP5013	091EP5013	091EP5013	091EP5013	091EP5013	1
13	COUMERCLE DE DESSUS	091EP5014	091EP5014	091EP5014	091EP5014	091EP5014	091SWHD27	091EP5014	091EP5014	091SWHD27	091EP5014	1
14	FIL DE TERRE	091EP5015	091EP5315	091EP5315	091EP5015	091EP5315	091EP5015	091EP5315	091EP5315	091EP5015	091EP5315	1
15	VIS	091SH1016	091SH1016	091SH1016	091SH1016	091SH1016	091SH2016	091SH2016	091SH2016	091SH2016	091SH2016	4
16	COLLIER	091EP5017	NONE	NONE	091EP5017	NONE	091EP5017	NONE	NONE	091EP5017	NONE	1
17	VIS	091EP5018	NONE	NONE	091EP5018	NONE	091EP5018	NONE	NONE	091EP5018	NONE	1
18	CONDENSATEUR	091EP5019	NONE	NONE	091EP5019	NONE	091EP5019	NONE	NONE	091EP5019	NONE	1
19	HOUSING	091EP5020	091EP5020	091EP5020	091EP5020	091EP5020	091SH2020	091EP5020	091EP5020	091SH2020	091EP5020	1
20	JOINT TORIQUE	091EP5021	091EP5021	091EP5021	091EP5021	091EP5021	091EP5021	091EP5021	091EP5021	091EP5021	091EP5021	1
21	ADAPTATEUR	091EP5022	091EP5322	091EP5322	091EP5022	091EP5322	091EP5022	091EP5322	091EP5322	091EP5022	091EP5322	1
22	BAGUE DE RETENUE	091EP5023	091EP5023	091EP5023	091EP5023	091EP5023	091EP5023	091EP5023	091EP5023	091EP5023	091EP5023	1
23	VIS	091EP5024	091EP5024	091EP5024	091EP5024	091EP5024	091EP5024	091EP5024	091EP5024	091EP5024	091EP5024	2
24	CORDON D'ALIMENTATION	091EP1526	091EP5326	091EP5326	091EP1526	091EP5326	091EP1526	091EP5326	091EP5326	091SWH226	091EP5326	1
25	POIGNÉE	091EP5027	091EP5027	091EP5027	091EP5027	091EP5027	091EP5027	091EP5027	091EP5027	091EP5027	091EP5027	1
26	VIS	091EP5028	091EP5028	091EP5028	091EP5028	091EP5028	091EP5028	091EP5028	091EP5028	091EP5028	091EP5028	2
27	ÉCROU	091EP5029	091EP5029	091EP5029	091EP5029	091EP5029	091EP5029	091EP5029	091EP5029	091EP5029	091EP5029	1
32	CONDENSATEUR DE DEMARRAGE	NONE	NONE	NONE	NONE	NONE	091AGPH40	NONE	NONE	091AGPH40	NONE	1
33	SUPPORT DE MONTAGE	NONE	NONE	NONE	NONE	NONE	091AGPR27	NONE	NONE	091AGPR27	NONE	1
34	VIS	NONE	NONE	NONE	NONE	NONE	091AGPH35	NONE	NONE	091AGPH35	NONE	2
35	COMMUTATEUR DE RELAIS	NONE	NONE	NONE	NONE	NONE	091AGPR29	NONE	NONE	091AGPR29	NONE	1
36	VIS	NONE	NONE	NONE	NONE	NONE	091AGPR30	NONE	NONE	091AGPR30	NONE	2

MOTOR PARTS GROUP



WET-END



PARTS GROUP



Pompes d'égouts

Modèles: SWHD Séries

Pièces

Réf.	DESCRIPTION	N° DE PIÈCE pour modèles de pompe										QTY
		SWHD100M2-20	SWHD100M3-20	SWHD100M4-20	SWHD100M5-20	SWHD100M6-20	SWHD150M2-20	SWHD150M3-20	SWHD150M4-20	SWHD150M5-20	SWHD150M6-20	
		230V/1PH	230V/3PH	460V/3PH	208V/1PH	208V/3PH	230V/1PH	230V/3PH	460V/3PH	208V/1PH	208V/3PH	
	GROUPE DE PIÈCES D'EXTREMITÉ HUMIDE	091SD1002A	091SD1002A	091SD1002A	091SD1002A	091SD1002A	091SD1502A	091SD1502A	091SD1502A	091SD1502A	091SHD1502A	
1	VOLUTA	091SWHD01	091SWHD01	091SWHD01	091SWHD01	091SWHD01	091SWHD01	091SWHD01	091SWHD01	091SWHD01	091SWHD01	1
2	TURBINE	091SWH102	091SWH102	091SWH102	091SWH102	091SWH102	091SWH152	091SWH152	091SWH152	091SWH152	091SWH152	1
3	JOINT D'AXE	091EP5003	091EP5003	091EP5003	091EP5003	091EP5003	091EP5003	091EP5003	091EP5003	091EP5003	091EP5003	1
4	JOINT	091SWH028	091SWH028	091SWH028	091SWH028	091SWH028	091SWH028	091SWH028	091SWH028	091SWH028	091SWH028	1
5	BRIDE	091SWH231 091SWH331	091SWH231 091SWH331	091SWH231 091SWH331	091SWH231 091SWH331	091SWH231 091SWH331	091SWH231 091SWH331	091SWH231 091SWH331	091SWH231 091SWH331	091SWH231 091SWH331	091SWH231 091SWH331	1 1
6	VIS	091SWH030	091SWH030	091SWH030	091SWH030	091SWH030	091SWH030	091SWH030	091SWH030	091SWH030	091SWH030	2
7	RONDELLE	091SWH031	091SWH031	091SWH031	091SWH031	091SWH031	091SWH031	091SWH031	091SWH031	091SWH031	091SWH031	2
	GROUPE DE PIÈCES DE MOTEUR	091SD1021A	091SD1023A	091SD1023A	091SD1021A	091SD1023A	091SD1521A	091SD1523A	091SD1523A	091SD1521A	091SD1523A	
8	VIS	091SWHD08	091SWHD08	091SWHD08	091SWHD08	091SWHD08	091SWHD08	091SWHD08	091SWHD08	091SWHD08	091SWHD08	4
9	ÉCROU	091EP5029	091EP5029	091EP5029	091EP5029	091EP5029	091EP5029	091EP5029	091EP5029	091EP5029	091EP5029	2
10	PLAQUE DE GARNITURE-DESSOUS	091SWHD10	091SWHD10	091SWHD10	091SWHD10	091SWHD10	091SWHD10	091SWHD10	091SWHD10	091SWHD10	091SWHD10	1
11	ANNEAU-O	091SWHD11	091SWHD11	091SWHD11	091SWHD11	091SWHD11	091SWHD11	091SWHD11	091SWHD11	091SWHD11	091SWHD11	1
12	ANNEAU-C	091SWHD12	091SWHD12	091SWHD12	091SWHD12	091SWHD12	091SWHD12	091SWHD12	091SWHD12	091SWHD12	091SWHD12	1
13	JOINT D'AXE	091SWHD13	091SWHD13	091SWHD13	091SWHD13	091SWHD13	091SWHD13	091SWHD13	091SWHD13	091SWHD13	091SWHD13	1
14	CAPTEUR	091SWHD14	091SWHD14	091SWHD14	091SWHD14	091SWHD14	091SWHD14	091SWHD14	091SWHD14	091SWHD14	091SWHD14	2
15	PLAQUE DE GARNITURE-HAUT	091SWHD15	091SWHD15	091SWHD15	091SWHD15	091SWHD15	091SWHD15	091SWHD15	091SWHD15	091SWHD15	091SWHD15	1
16	LIGNE DU CAPTEUR	091SWHD16	091SWHD16	091SWHD16	091SWHD16	091SWHD16	091SWHD16	091SWHD16	091SWHD16	091SWHD16	091SWHD16	2
17	VIS	091SWHD17	091SWHD17	091SWHD17	091SWHD17	091SWHD17	091SWHD17	091SWHD17	091SWHD17	091SWHD17	091SWHD17	2
18	RONDELLE	091EP5005	091EP5005	091EP5005	091EP5005	091EP5005	091EP5005	091EP5005	091EP5005	091EP5005	091EP5005	8
19	VIS	091EP5006	091EP5006	091EP5006	091EP5006	091EP5006	091EP5006	091EP5006	091EP5006	091EP5006	091EP5006	8
20	ANNEAU-O	091SWHD20	091SWHD20	091SWHD20	091SWHD20	091SWHD20	091SWHD20	091SWHD20	091SWHD20	091SWHD20	091SWHD20	1
21	ENSEMBLE STATOR	091SD1021	091SD1023	091SD1023	091SD1021	091SD1023	091SD1521	091SD1523	091SD1523	091SD1521	091SD1523	1
22	MANCHON	091SWHD22	091SWHD22	091SWHD22	091SWHD22	091SWHD22	091SWHD22	091SWHD22	091SWHD22	091SWHD22	091SWHD22	1
23	ANNEAU-C	091SWHD23	091SWHD23	091SWHD23	091SWHD23	091SWHD23	091SWHD23	091SWHD23	091SWHD23	091SWHD23	091SWHD23	1
24	ENSEMBLE ROTOR	091SD1024	091SD1024	091SD1024	091SD1024	091SD1024	091SD1524	091SD1524	091SD1524	091SD1524	091SD1524	1
25	MANCHON	091EP5010	091EP5010	091EP5010	091EP5010	091EP5010	091EP5010	091EP5010	091EP5010	091EP5010	091EP5010	1
26	RONDELLE ÉLASTIQUE	091EP5013	091EP5013	091EP5013	091EP5013	091EP5013	091EP5013	091EP5013	091EP5013	091EP5013	091EP5013	1
27	COUMERCLE DE DESSUS	091SWHD27	091SWHD27	091SWHD27	091SWHD27	091SWHD27	091SWHD27	091SWHD27	091SWHD27	091SWHD27	091SWHD27	1
28	FIL DE TERRE	091SWHD28	091SWHD28	091SWHD28	091SWHD28	091SWHD28	091SWHD28	091SWHD28	091SWHD28	091SWHD28	091SWHD28	1
29	FIL DE TERRE	091EP5015	091EP5315	091EP5315	091EP5015	091EP5315	091EP5015	091EP5315	091EP5315	091EP5015	091EP5315	1
30	VIS	091SD1030	091SD1030	091SD1030	091SD1030	091SD1030	091SD1030	091SD1030	091SD1030	091SD1030	091SD1030	4
31	COLLIER	091EP5017	NONE	NONE	091EP5017	NONE	091EP5017	NONE	NONE	091EP5017	NONE	1
32	VIS	091EP5018	NONE	NONE	091EP5018	NONE	091EP5018	NONE	NONE	091EP5018	NONE	1
33	CONDENSATEUR	091EP5019	NONE	NONE	091EP5019	NONE	091EP5019	NONE	NONE	091EP5019	NONE	1
34	HOUSING	091SWHD34	091SWHD34	091SWHD34	091SWHD34	091SWHD34	091SWHD34	091SWHD34	091SWHD34	091SWHD34	091SWHD34	1
35	ANNEAU-O	091EP5021	091EP5021	091EP5021	091EP5021	091EP5021	091EP5021	091EP5021	091EP5021	091EP5021	091EP5021	1
36	ADAPTATEUR	091EP5022	091EP5322	091EP5322	091EP5022	091EP5322	091EP5022	091EP5322	091EP5322	091EP5022	091EP5322	1
37	BAGUE DE RETENUE	091EP5023	091EP5023	091EP5023	091EP5023	091EP5023	091EP5023	091EP5023	091EP5023	091EP5023	091EP5023	1
38	VIS	091EP5024	091EP5024	091EP5024	091EP5024	091EP5024	091EP5024	091EP5024	091EP5024	091EP5024	091EP5024	2
39	CORDON D'ALIMENTATION	091EP5026	091EP5326	091EP5326	091EP5026	091EP5326	091EP1526	091EP5326	091EP5326	091EP1526	091EP5326	1
40	POIGÉE	091EP5027	091EP5027	091EP5027	091EP5027	091EP5027	091EP5027	091EP5027	091EP5027	091EP5027	091EP5027	1
41	VIS	091EP5028	091EP5028	091EP5028	091EP5028	091EP5028	091EP5028	091EP5028	091EP5028	091EP5028	091EP5028	2
42	ENSEMBLE DE CORDON DU CAPTEUR	091SWHD42	091SWHD42	091SWHD42	091SWHD42	091SWHD42	091SWHD42	091SWHD42	091SWHD42	091SWHD42	091SWHD42	1
43	COMMUTATEUR DE RELAIS	NONE	NONE	NONE	NONE	NONE	NONE	NONE	NONE	NONE	NONE	1
44	VIS	NONE	NONE	NONE	NONE	NONE	NONE	NONE	NONE	NONE	NONE	1
45	CONDENSATEUR DE DEMARRAGE	NONE	NONE	NONE	NONE	NONE	NONE	NONE	NONE	NONE	NONE	1
46	NOUER	NONE	NONE	NONE	NONE	NONE	NONE	NONE	NONE	NONE	NONE	2



Pompes d'égouts

Modèles: SWHD Séries

Pièces

Réf.	DESCRIPTION	N° DE PIÈCE pour modèles de pompe					QTY
		SWHD200M2-20	SWHD200M3-20	SWHD200M4-20	SWHD200M5-20	SWHD200M6-20	
		230V/1PH	230V/3PH	460V/3PH	208V/1PH	208V/3PH	
GROUPE DE PIÈCES D'EXTRÉMITÉ HUMIDE		091SD2002A	091SD2002A	091SD2002A	091SD2002A	091SD2002A	
1	VOLUTA	091SWHD01	091SWHD01	091SWHD01	091SWHD01	091SWHD01	1
2	TURBINE	091SWH202	091SWH202	091SWH202	091SWH202	091SWH202	1
3	JOINT D'AXE	091EP5003	091EP5003	091EP5003	091EP5003	091EP5003	1
4	JOINT	091SWH028	091SWH028	091SWH028	091SWH028	091SWH028	1
5	BRIDE	091SWH231	091SWH231	091SWH231	091SWH231	091SWH231	1
		091SWH331	091SWH331	091SWH331	091SWH331	091SWH331	1
6	VIS	091SWH030	091SWH030	091SWH030	091SWH030	091SWH030	2
7	RONDELLE	091SWH031	091SWH031	091SWH031	091SWH031	091SWH031	2
GROUPE DE PIÈCES DE MOTEUR		091SD2021A	091SD2023A	091SD2023A	091SD2021A	091SD2023A	
8	VIS	091SWHD08	091SWHD08	091SWHD08	091SWHD08	091SWHD08	4
9	ÉCROU	091EP5029	091EP5029	091EP5029	091EP5029	091EP5029	2
10	PLAQUE DE GARNITURE-DESSOUS	091SWHD10	091SWHD10	091SWHD10	091SWHD10	091SWHD10	1
11	ANNEAU-O	091SWHD11	091SWHD11	091SWHD11	091SWHD11	091SWHD11	1
12	ANNEAU-C	091SWHD12	091SWHD12	091SWHD12	091SWHD12	091SWHD12	1
13	JOINT D'AXE	091SWHD13	091SWHD13	091SWHD13	091SWHD13	091SWHD13	1
14	CAPTEUR	091SWHD14	091SWHD14	091SWHD14	091SWHD14	091SWHD14	2
15	SPLAQUE DE GARNITURE-HAUT	091SWHD15	091SWHD15	091SWHD15	091SWHD15	091SWHD15	1
16	LIGNE DU CAPTEUR	091SWHD16	091SWHD16	091SWHD16	091SWHD16	091SWHD16	2
17	VIS	091SWHD17	091SWHD17	091SWHD17	091SWHD17	091SWHD17	2
18	RONDELLE	091EP5005	091EP5005	091EP5005	091EP5005	091EP5005	8
19	VIS	091EP5006	091EP5006	091EP5006	091EP5006	091EP5006	8
20	ANNEAU-O	091SWHD20	091SWHD20	091SWHD20	091SWHD20	091SWHD20	1
21	ENSEMBLE STATOR	091SD2021	091SD2023	091SD2023	091SD2021	091SD2023	1
22	MANCHON	091SWHD22	091SWHD22	091SWHD22	091SWHD22	091SWHD22	1
23	ANNEAU-C	091SWHD23	091SWHD23	091SWHD23	091SWHD23	091SWHD23	1
24	ENSEMBLE ROTOR	091SD2024	091SD2024	091SD2024	091SD2024	091SD2024	1
25	MANCHON	091EP5010	091EP5010	091EP5010	091EP5010	091EP5010	1
26	RONDELLE ÉLASTIQUE	091EP5013	091EP5013	091EP5013	091EP5013	091EP5013	1
27	COUMERCLE DE DESSUS	091SWHD27	091SWHD27	091SWHD27	091SWHD27	091SWHD27	1
28	FIL DE TERRE	091SWHD28	091SWHD287	091SWHD28	091SWHD28	091SWHD28	1
29	FIL DE TERRE	091EP5015	091EP5315	091EP5315	091EP5015	091EP5315	1
30	VIS	091SD2030	091SD2030	091SD2030	091SD2030	091SD2030	4
31	COLLIER	091EP5017	NONE	NONE	091EP5017	NONE	1
32	VIS	091EP5018	NONE	NONE	091EP5018	NONE	1
33	CONDENSATEUR	091EP5019	NONE	NONE	091EP5019	NONE	1
34	HOUSING	091SWHD34	091SWHD34	091SWHD34	091SWHD34	091SWHD34	1
35	ANNEAU-O	091EP5021	091EP5021	091EP5021	091EP5021	091EP5021	1
36	ADAPTATEUR	091EP5022	091EP5322	091EP5322	091EP5022	091EP5322	1
37	BAGUE DE RETENUE	091EP5023	091EP5023	091EP5023	091EP5023	091EP5023	1
38	VIS	091EP5024	091EP5024	091EP5024	091EP5024	091EP5024	2
39	CORDON D'ALIMENTATION	091EP1526	091EP5326	091EP5326	091SWH226	091EP5326	1
40	POIGÉE	091EP5027	091EP5027	091EP5027	091EP5027	091EP5027	1
41	VIS	091EP5028	091EP5028	091EP5028	091EP5028	091EP5028	2
42	ENSEMBLE DE CORDON DU CAPTEUR	091SWHD42	091SWHD42	091SWHD42	091SWHD42	091SWHD42	1
43	COMMUTATEUR DE RELAIS	091AGPR29	NONE	NONE	091AGPR29	NONE	1
44	VIS	091AGPR30	NONE	NONE	091AGPR30	NONE	1
45	CONDENSATEUR DE DEMARRAGE	091AGPH40	NONE	NONE	091AGPH40	NONE	1
46	NOUER	091SWHD46	NONE	NONE	091SWHD46	NONE	2



Pompes d'égouts Modèles: SW40, SW50 et SW75 Séries Garantie

Pendant une période ne dépassant pas trois (3) ans à compter de l'achat initial du produit en question, et sous réserve des conditions de la présente Garantie limitée, Ashland Pump réparera ou remplacera, uniquement pour l'acheteur d'origine, toute partie de votre nouveau produit d'Ashland Pump qui est prouvée d'inclure des matériaux défectueux ou des défauts de fabrication, à condition que le produit soit correctement installé, entretenu et utilisé dans des conditions normales et conformément aux instructions du fabricant. Ashland Pump décline toute responsabilité, y compris la responsabilité en vertu de la présente Garantie limitée, en cas d'installation, d'application ou d'utilisation inappropriée de ses produits. Ashland Pump aura l'unique discrétion de déterminer s'il convient de réparer ou de remplacer l'équipement, les pièces ou les composants défectueux par un article neuf ou remanufacturé. Tout article à remplacer au titre de la présente Garantie doit être retourné à Ashland Pump, ou à tout autre endroit désigné par Ashland Pump, fret payé d'avance. En l'absence de preuve appropriée de la date d'achat, la date effective de la présente Garantie sera basée sur la date de fabrication telle que prouvée par le numéro de série du produit.

Il n'y a aucune autre garantie expresse ou implicite couvrant votre Ashland Pump. Sans limiter ce qui précède, Ashland Pump décline spécifiquement les garanties implicites de qualité marchande et d'adéquation à un usage particulier. Aucune garantie ou représentation faite à tout moment par un représentant d'Ashland Pump ne variera ni n'étendra les dispositions de la présente Garantie limitée écrite. La présente Garantie limitée contient le recours exclusif de l'acheteur pour tout prétendu défaut du produit.

Dans toute la mesure permise par les lois applicables, Ashland Pump ne saurait être tenue pour responsable des dommages indirects, accessoires ou spéciaux résultant ou liés d'une manière quelconque à un produit ou des pièces d'Ashland Pump. Une installation, une application ou une utilisation inappropriée de votre Ashland Pump peut provoquer des blessures et / ou des dégâts matériels. Ashland Pump ne sera aucunement responsable des pertes, dommages ou dépenses résultant de l'installation ou de l'utilisation de ses produits autrement qu'expressément énoncé dans la présente Garantie limitée. Ashland Pump ne pourra en aucun cas être tenue pour responsable des coûts de la main-d'œuvre de chantier ou d'autres frais pris en charge par tout acheteur ou utilisateur pour retirer et / ou réattacher tout produit, pièce ou composant d'Ashland Pump ou tout équipement temporaire de pompage ou autre. Certains États/provinces n'autorisant pas l'exclusion ou la limitation des dommages accessoires ou indirects, la limitation ou l'exclusion ci-dessus peut ne pas s'appliquer à vous.



Honnête, Professionnel, Fiable

1899 Cottage Street, Ashland, Ohio 44805
Téléphone: 855 281-6830 • Fax: 877 326-1994
ashlandpump.com