

## Convertible Well Jet Pump Model C - Single Stage Injector:

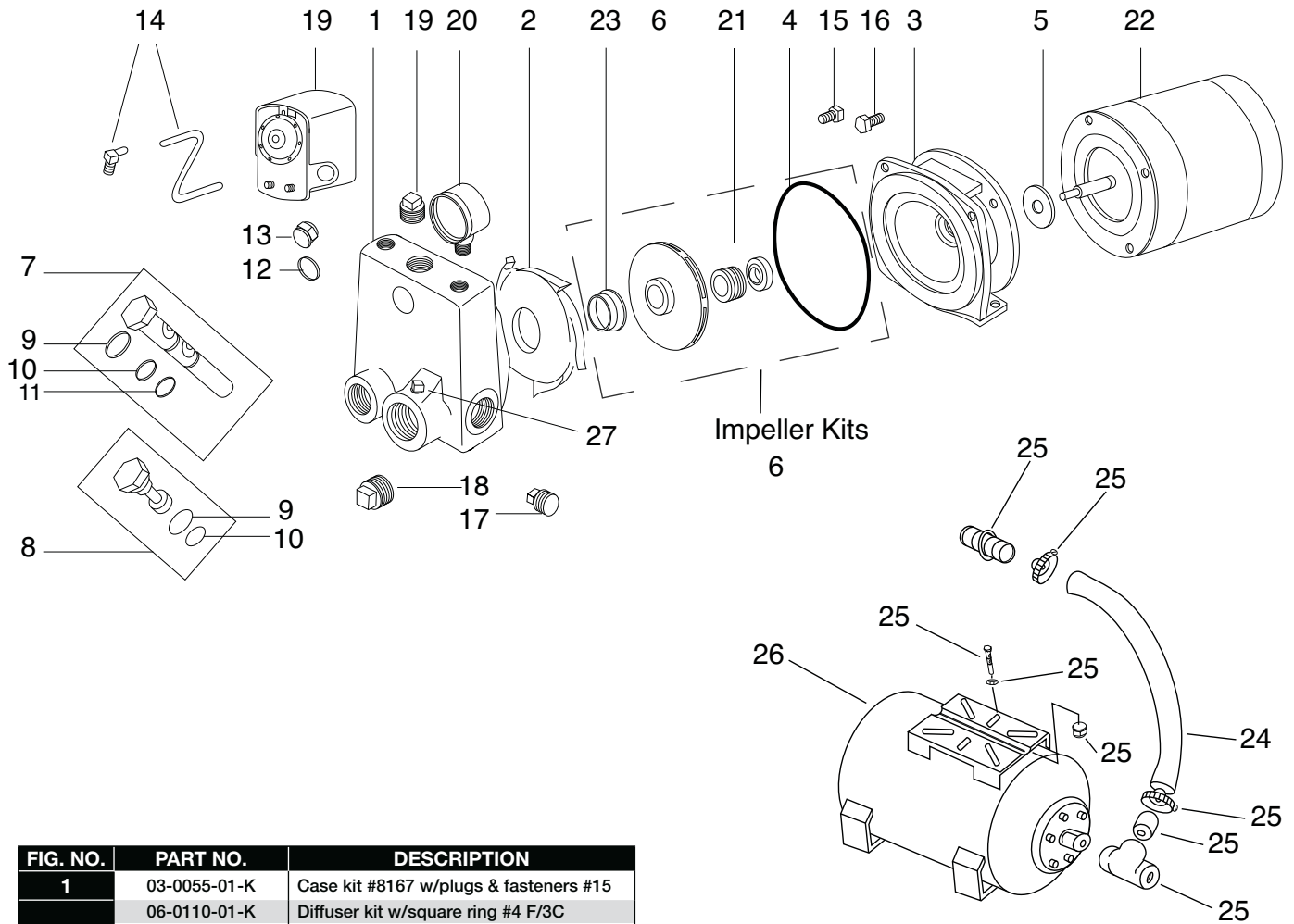


FIG. NO.	PART NO.	DESCRIPTION
1	03-0055-01-K	Case kit #8167 w/plugs & fasteners #15
	06-0110-01-K	Diffuser kit w/square ring #4 F/3C
2	06-0111-00-K	Diffuser kit w/square ring #4 F/5C
	06-0112-09-K	Diffuser kit w/square ring #4 F/7C
	02-1051-04-K	Bracket kit w/fasteners F/3C
3	02-1052-03-K	Bracket kit w/fasteners F/5C
	02-1053-02-K	Bracket kit w/fasteners F/7C
4	13-1247-06-02PK	Square ring kit (2 per kit)
5	22-3403-01-R	Flinger 1-3/8 x37/64x1/8 NEO
<b>Impeller kit includes: impeller, wear ring, mechanical seal and square ring - #4, 6, 21, 23</b>		
6	05-3073-19-K	Impeller kit for 3C
	05-3074-18-K	Impeller kit for 5C
	05-3075-17-K	Impeller kit for 7C
7	18-1200-12-R	Injector for 3C w/o-rings
	18-1293-04-R	Injector for 5C w/o-rings
	18-1248-18-R	Injector for 7C w/o-rings
	18-1290-07-R	Deep Well Plug w/o-ring
	24-0174-44	O-ring Kit (includes 1 ea. #9,10,11)
8	23-1284-08-R	Locknut
9, 10, 11	23-2647-08-R	Box spacer

FIG. NO.	PART NO.	DESCRIPTION
14	31-1197-04-K	Tube kit 1/4 x 14-1/2 w/barb
15, 16	14-4433-03-K	Fastener kit
17	31-0062-08-R	3/4" plug (included w/case kit)
18	31-0063-07-R	1" plug (included w/case kit)
19	PRSW3050	Pressure switch 30-50 set
20	9193-4018	Pressure gauge
21	10-0002-06	Mechanical seal 5/8 (also w/impeller kits)
22	9017-7817-R	Motor 1/3 hp
	9010-0637-R	Motor 1/2 hp
	9010-0561-R	Motor 3/4 hp
23	08-0845-19-06PK	Wear ring kit 2/92 (6 ea. per kit)
24	31-3155-01-R	Hose 1" x 18" PVC 150#
24, 25	22-6370-10	C-pump tank fitting kit
26	PJR-25S	Pressure tank
27	31-0059-11-06PK	Plug Kit 1/4" galvanized (6 per kit)