

### Contents

Item No.	Specifications	Selection Chart	Performance Curve	Pump Dimensions	Sectional View
3U-32-125-3HP	402	403	404	426	432
3U-32-160A-5HP					
3U-32-160B-5HP					
3U-32-200-7½HP			405		
3U-32-200-1-10HP					
3U-40-125A-5HP			406		
3U-40-125B-5HP			407		
3U-40-160-7½HP					
3U-40-160-1-10HP					
3U-40-200A-15HP			408		
3U-40-200B-15HP			409		
3U-50-125-7½HP					
3U-50-125-1-10HP					
3U-50-160-10HP			410		
3U-50-160-1-15HP			411		
3UB 65-125-7.5	402	403	412	429	432
3UB 65-125-10			413		
3UB 65-160-10			414		
3UB 65-160-15			415		
3UB 65-160-20			416		
3UB 65-160-25			417	431	433
3UB 65-200-20			418		
3UB 65-200-25			419		
3UB 65-200-30			420		

### Model 3U - 1725RPM

Item No.	Selection Chart	Performance Curve
3U4 32-200-1HP	421	422
3U4 32-200-1-1½HP		
3U4 40-160-1HP		423
3U4 40-200A-1½HP		
3U4 40-200B-2HP		424
3U4 50-125-1HP		
3U4 50-160-1½HP		425
3U4 50-160-1-2HP		

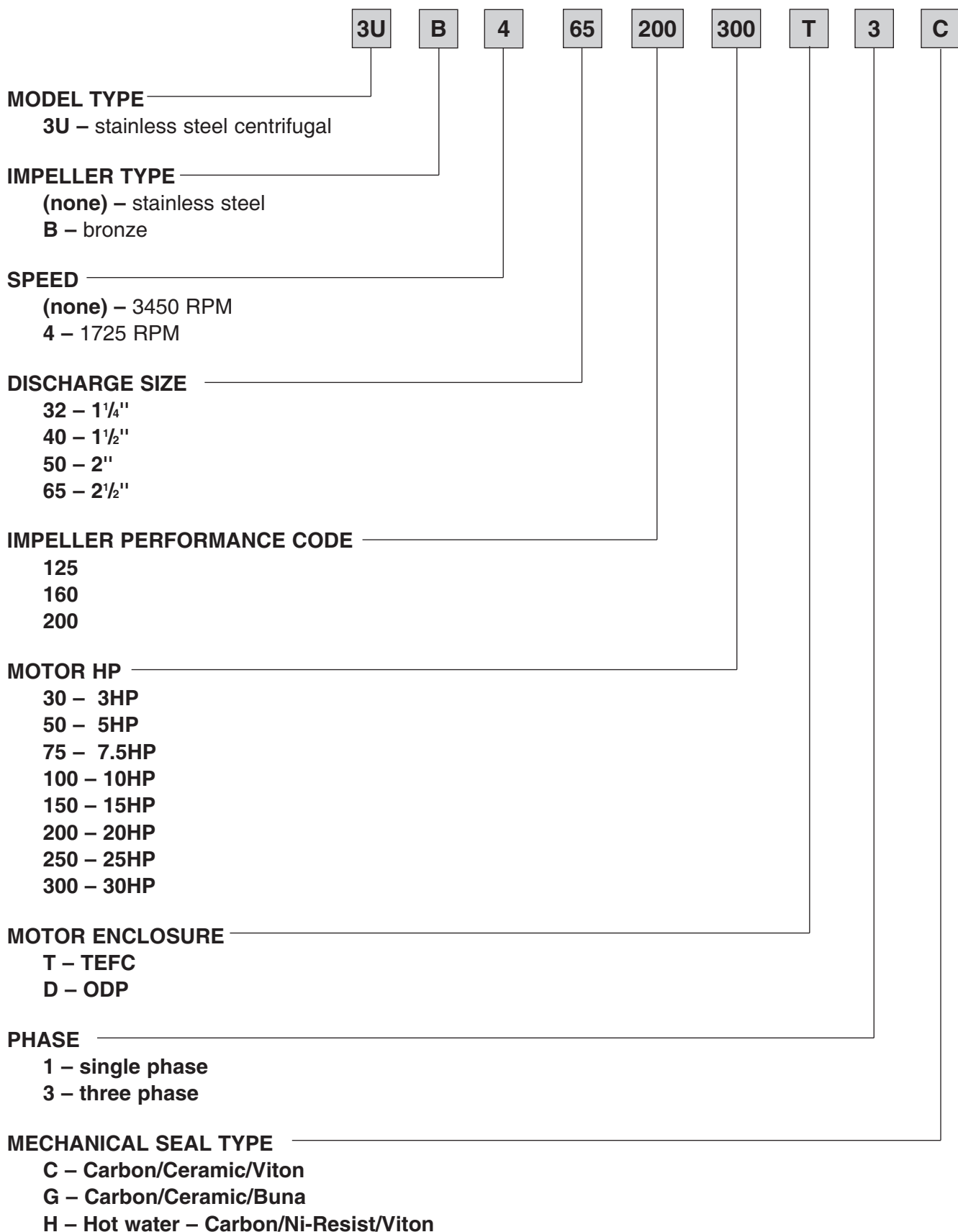


\*Note: NSF/ANSI 61 Annex G listed

## Model 3U/3UB

## EBARA Stainless Steel Centrifugal Pumps

### Model Designation



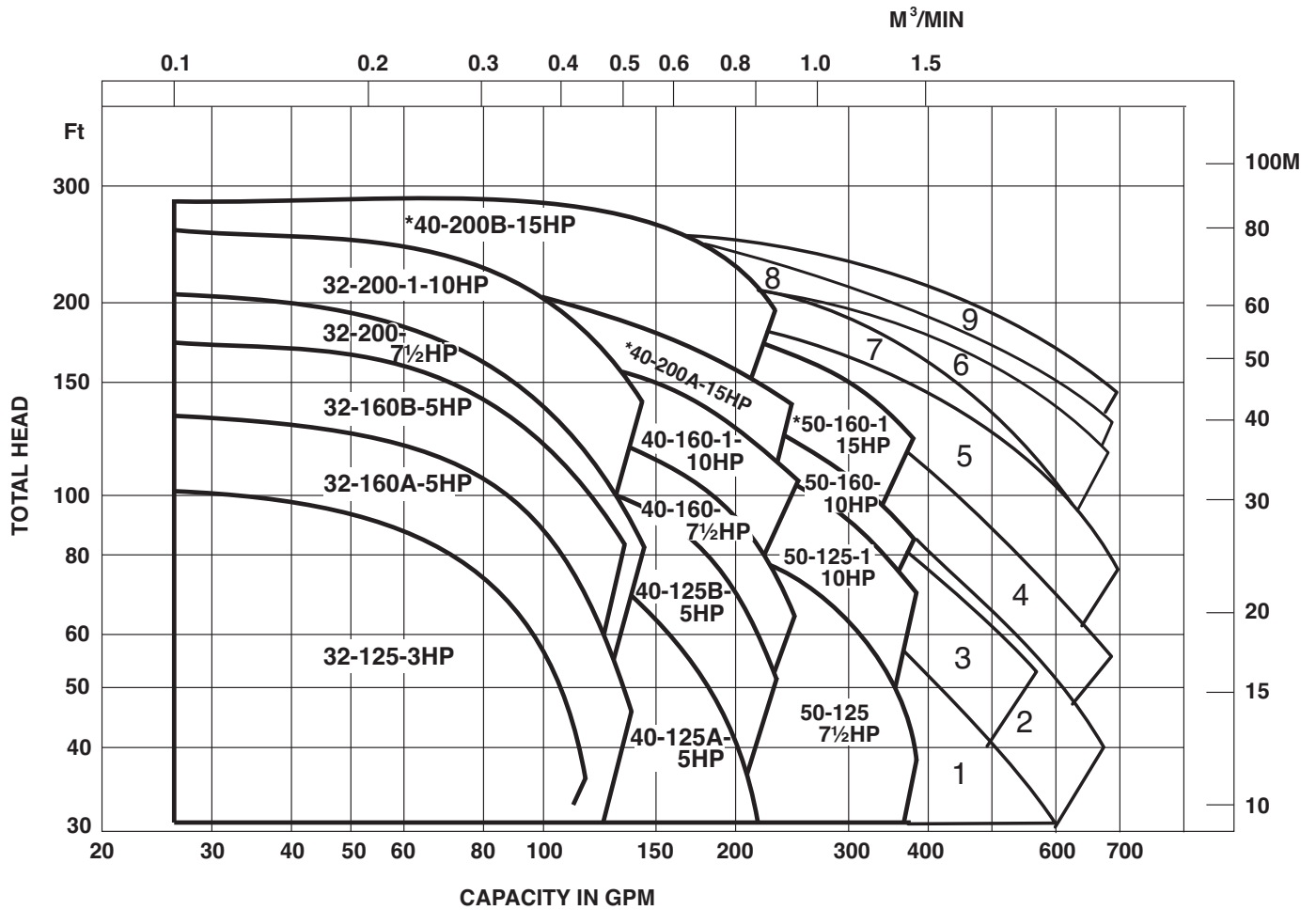
### Specifications

	Standard	Optional										
<b>Size</b> Suction (150 lb. ANSI R.F. equivalent)  Discharge (150 lb. ANSI R.F. equivalent)	3U32 – 2" ANSI Equivalent 3U40 – 2½" ANSI Equivalent 3U50 – 2½" ANSI Equivalent 3U(B)65 – 3" ANSI Equivalent  3U32 – 1¼" ANSI Equivalent 3U40 – 1½" ANSI Equivalent 3U50 – 2" ANSI Equivalent 3U(B)65 – 2½" ANSI Equivalent	Companion Flange kit 150 Lb. ANSI, Female NPT										
<b>Range of HP</b>	3U – 3 HP to 15 HP 3U(B)65 – 7½ HP to 30 HP											
<b>Range of Performance</b> Capacity Head	13 to 700 GPM at 3450 RPM 33 to 250 feet at 3450 RPM											
<b>Liquid handled</b> Type of liquid Temperature  Max. working pressure	Clean water 14°F to 212°F (-10°C to 100°C)  145 PSI (10 Bar)	Min. -4°F (-20°C) with Carbon/Ceramic/EPDM seal Max. 250°F (121°C) with Carbon/ Ni-Resist/Viton seal										
<b>Materials</b> Casing Impeller (closed type) Shaft Sleeve/Coupling Bracket	<table border="0"> <tr> <td><b>3U</b></td> <td><b>3U(B)65</b></td> </tr> <tr> <td>304L Stainless Steel</td> <td>304L Stainless Steel</td> </tr> <tr> <td>304L Stainless Steel</td> <td>3U65=316SS, 3UB65=Bronze</td> </tr> <tr> <td>304L Stainless Steel</td> <td>304L Stainless Steel</td> </tr> <tr> <td>Cast iron</td> <td>Cast iron</td> </tr> </table>	<b>3U</b>	<b>3U(B)65</b>	304L Stainless Steel	304L Stainless Steel	304L Stainless Steel	3U65=316SS, 3UB65=Bronze	304L Stainless Steel	304L Stainless Steel	Cast iron	Cast iron	
<b>3U</b>	<b>3U(B)65</b>											
304L Stainless Steel	304L Stainless Steel											
304L Stainless Steel	3U65=316SS, 3UB65=Bronze											
304L Stainless Steel	304L Stainless Steel											
Cast iron	Cast iron											
<b>Shaft Seal</b> Seal Material	Mechanical Seal – Type 21 Carbon/Ceramic/Viton	Carbon/Ceramic/Buna Carbon/Ni-Resist/Viton Carbon/Ceramic/EPDM Si-Carbide/Carbon/Viton Si-Carbide/Si-Carbide/Viton										
<b>Direction of Rotation</b>	Clockwise when viewed from motor end											
<b>Motor</b> Type Speed Bearing Single Phase  Three Phase  Motor Protection	NEMA JM, TC, TSC Frame 60 Hz, 3450 RPM (2 poles) / 1750 RPM (4 poles) Ball Bearing TEFC – 3 HP (230V) ODP – 3 HP to 10 HP (230 V)  TEFC – 3 HP to 30 HP ODP – 3 HP to 30 HP 230/460V (usable at 208V) Overload protection must be provided	Explosion proof – consult factory for availability Washdown duty – consult factory for availability										
<b>Standard Accessories</b>	Suction and Discharge Flange Gasket Motor support											



Selection chart

Synchronous Speed 3450 RPM



\*Three phase motor only

1. 3U65-125-7.5HP
2. 3U65-125-10HP
3. 3U65-160-10HP
4. 3U65-160-15HP\*
5. 3U65-160-20HP\*
6. 3U65-160-25HP\*
7. 3U65-200-20HP\*
8. 3U65-200-25HP\*
9. 3U65-200-30HP\*



Model 3U

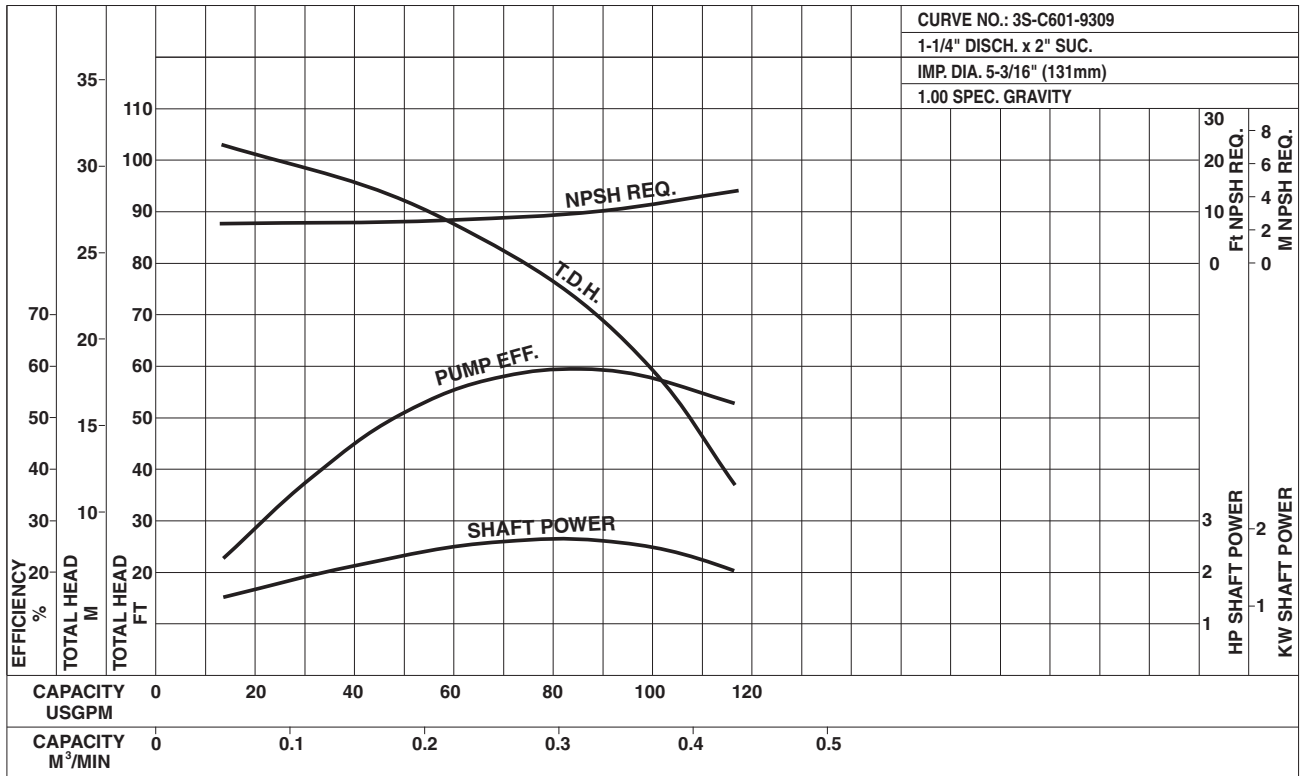
EBARA Stainless Steel Centrifugal Pumps

Performance Curves

3U 32-125-3HP

Nominal Speed: 3450 RPM

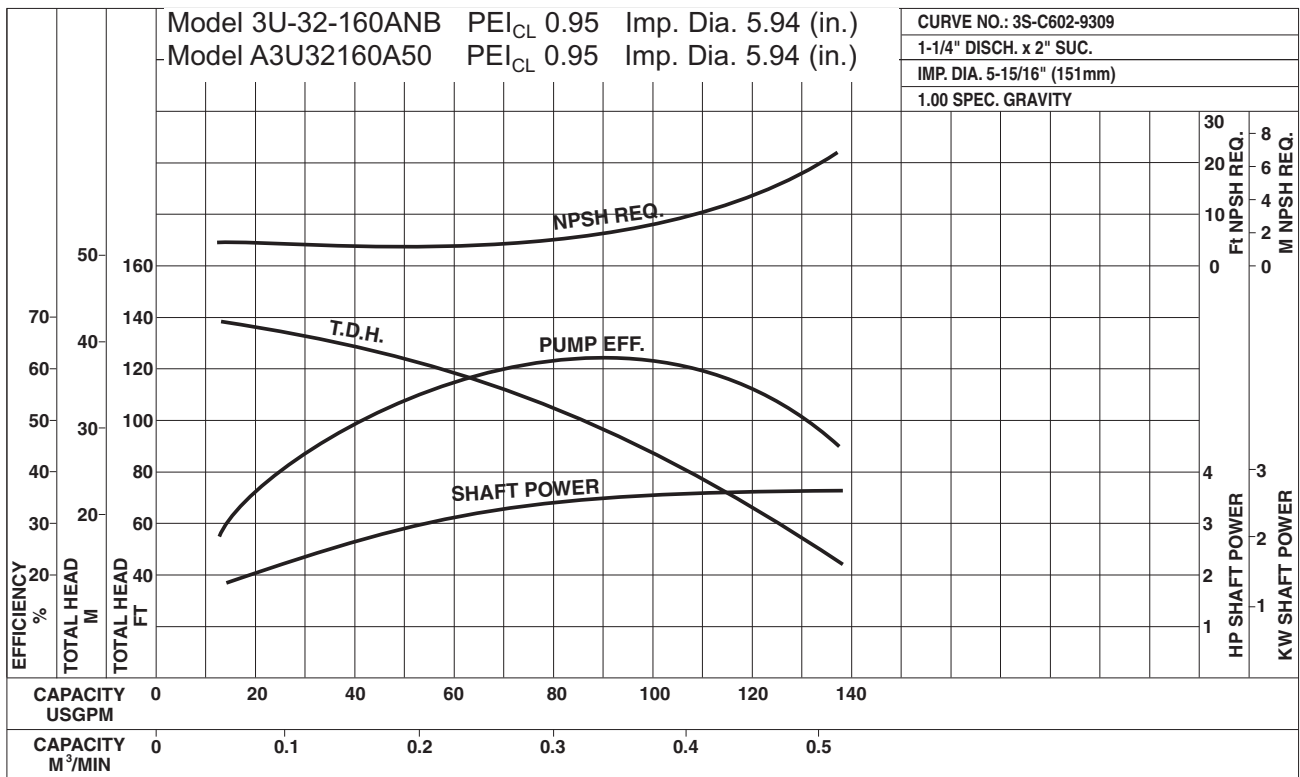
Size: 1 1/4 x 2 x 5 3/16



3U 32-160A-5HP

Nominal Speed: 3450 RPM

Size: 1 1/4 x 2 x 5 15/16



Model 3U

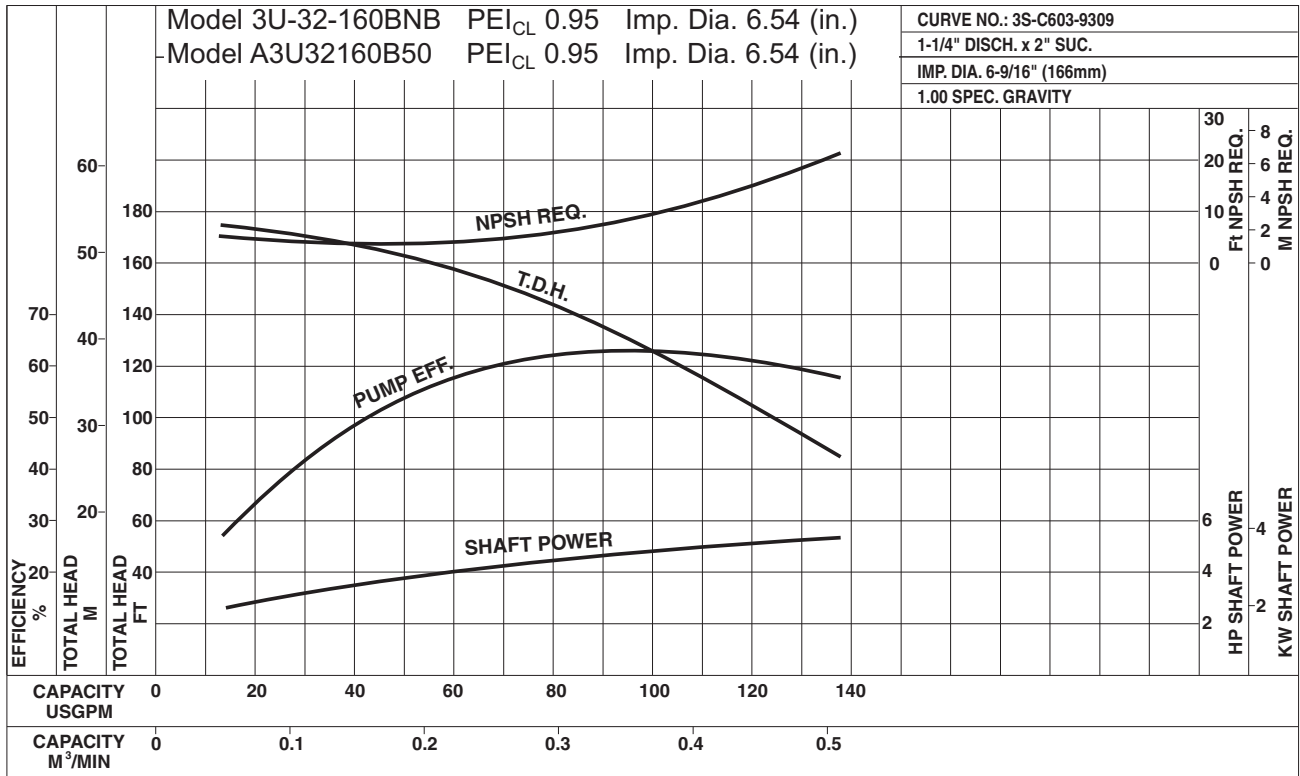
EBARA Stainless Steel Centrifugal Pumps

Performance Curves

3U 32-160B-5HP

Nominal Speed: 3450 RPM

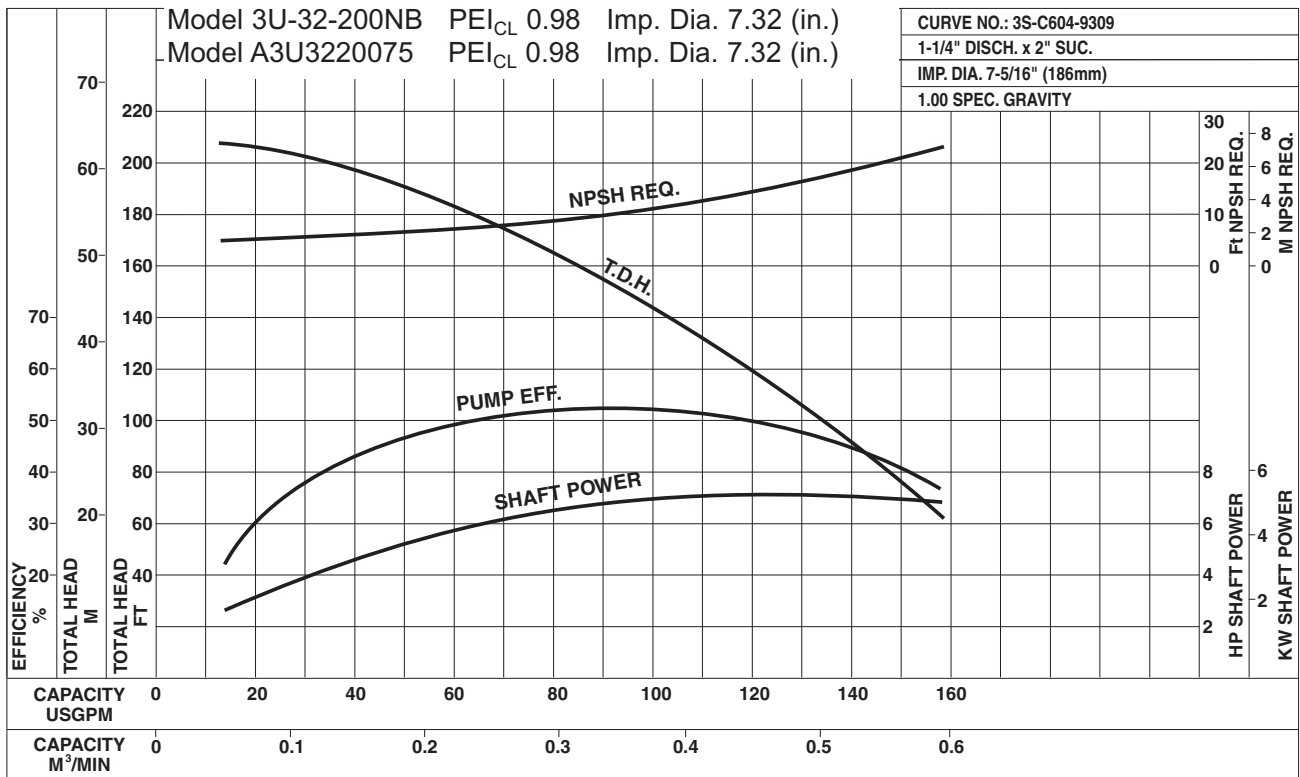
Size: 1 1/4 x 2 x 6 9/16



3U 32-200-7 1/2HP

Nominal Speed: 3450 RPM

Size: 1 1/4 x 2 x 7 5/16



Model 3U

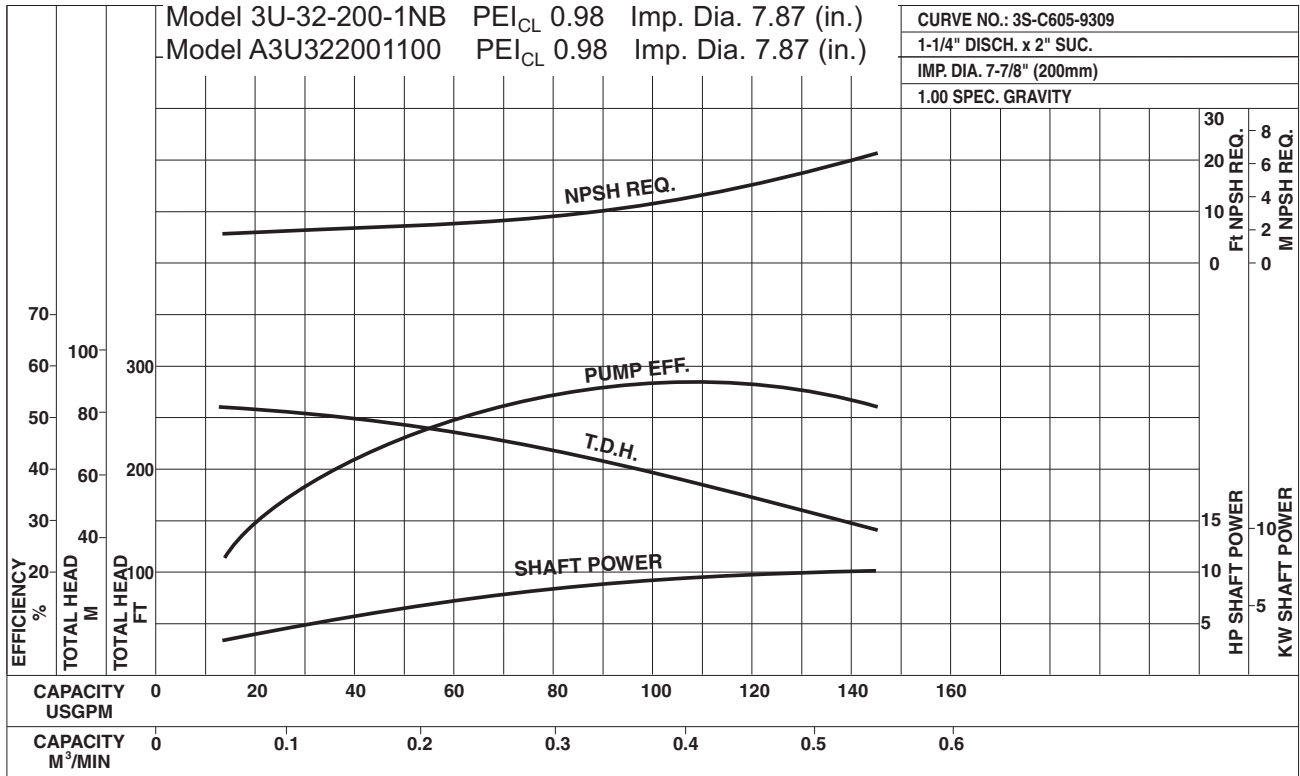
EBARA Stainless Steel Centrifugal Pumps

Performance Curves

3U 32-200-1-10HP

Nominal Speed: 3450 RPM

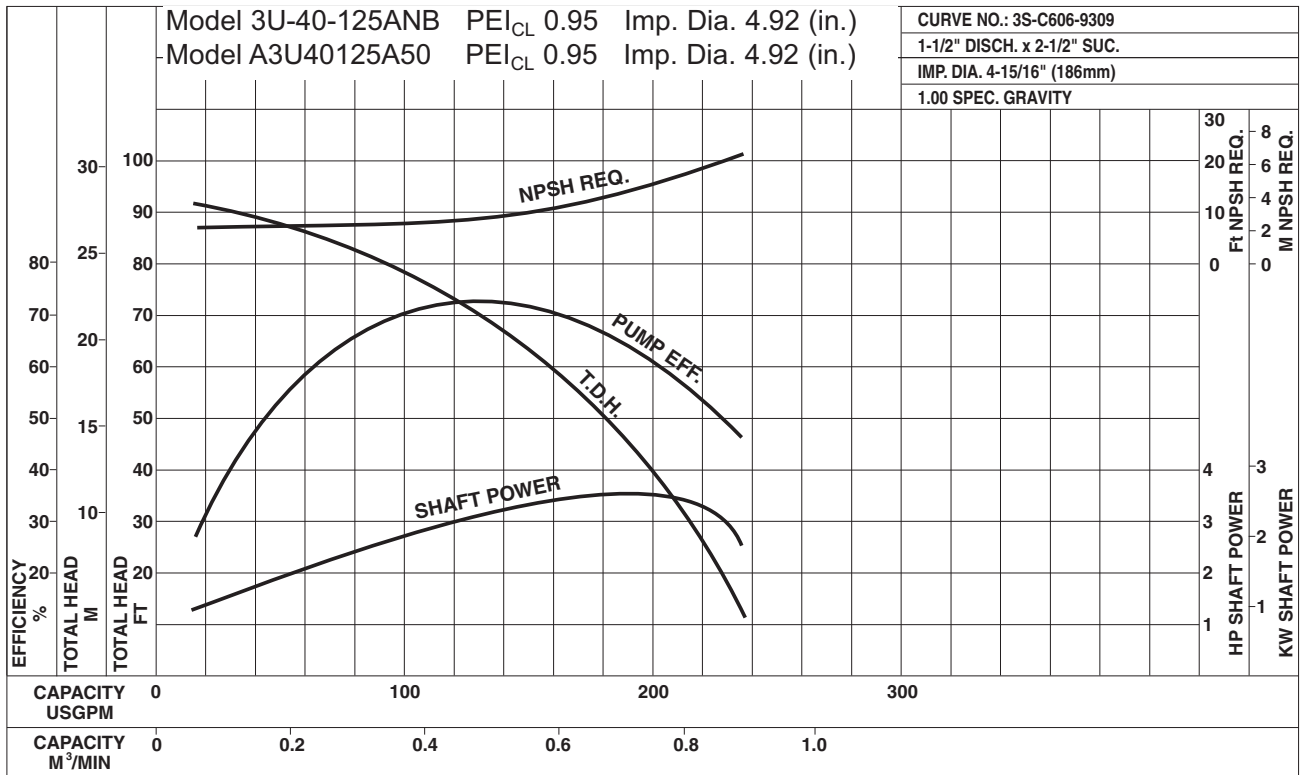
Size: 1 1/4 x 2 x 7/8



3U 40-125A-5HP

Nominal Speed: 3450 RPM

Size: 1 1/2 x 2 1/2 x 4 15/16



Model 3U

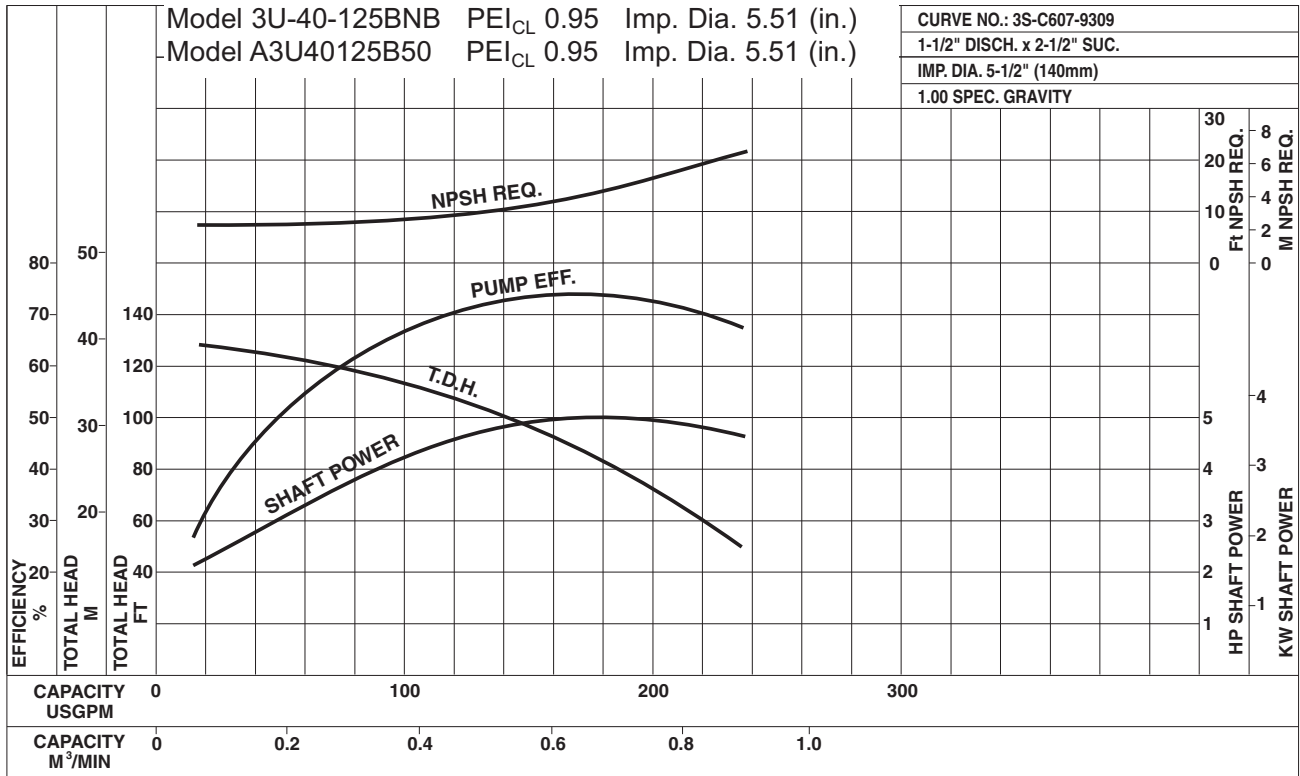
EBARA Stainless Steel Centrifugal Pumps

Performance Curves

3U 40-125B-5HP

Nominal Speed: 3450 RPM

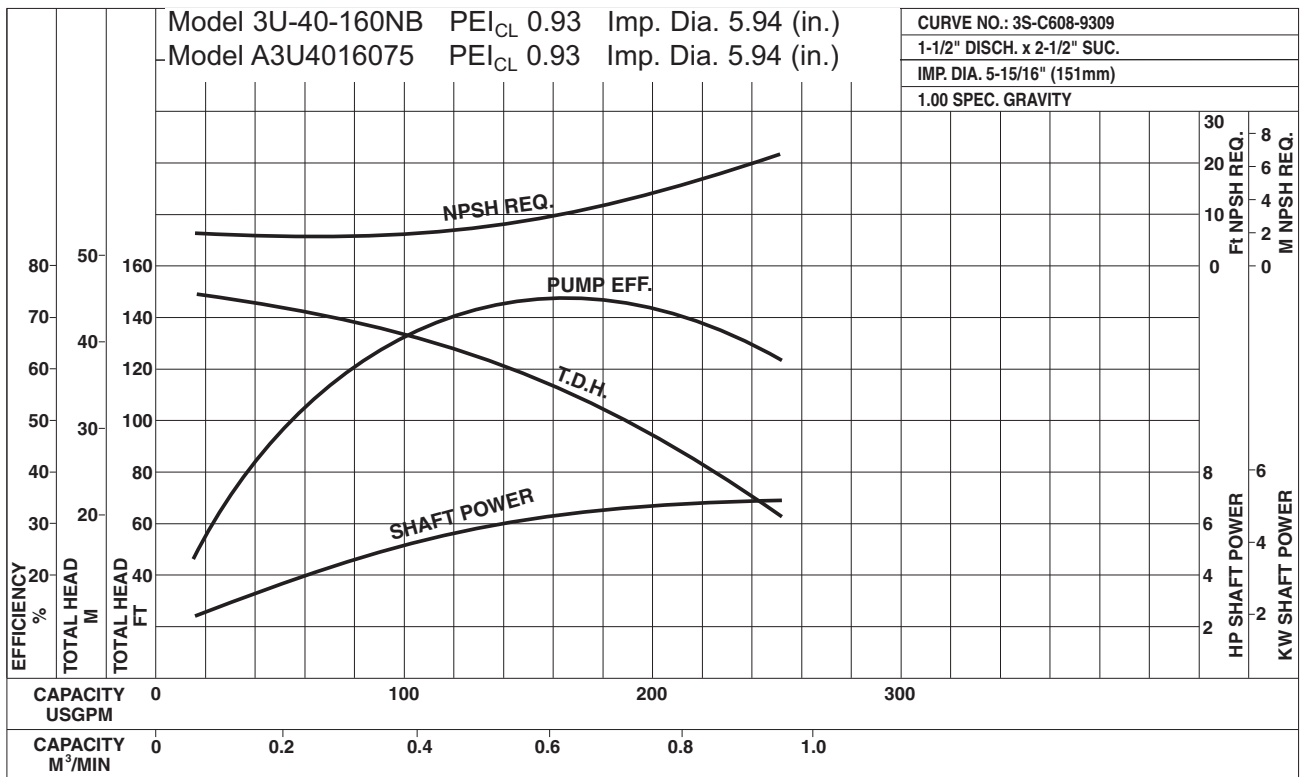
Size: 1 1/2 x 2 1/2 x 5 1/2



3U 40-160-7 1/2HP

Nominal Speed: 3450 RPM

Size: 1 1/2 x 2 1/2 x 5 15/16





Model 3U

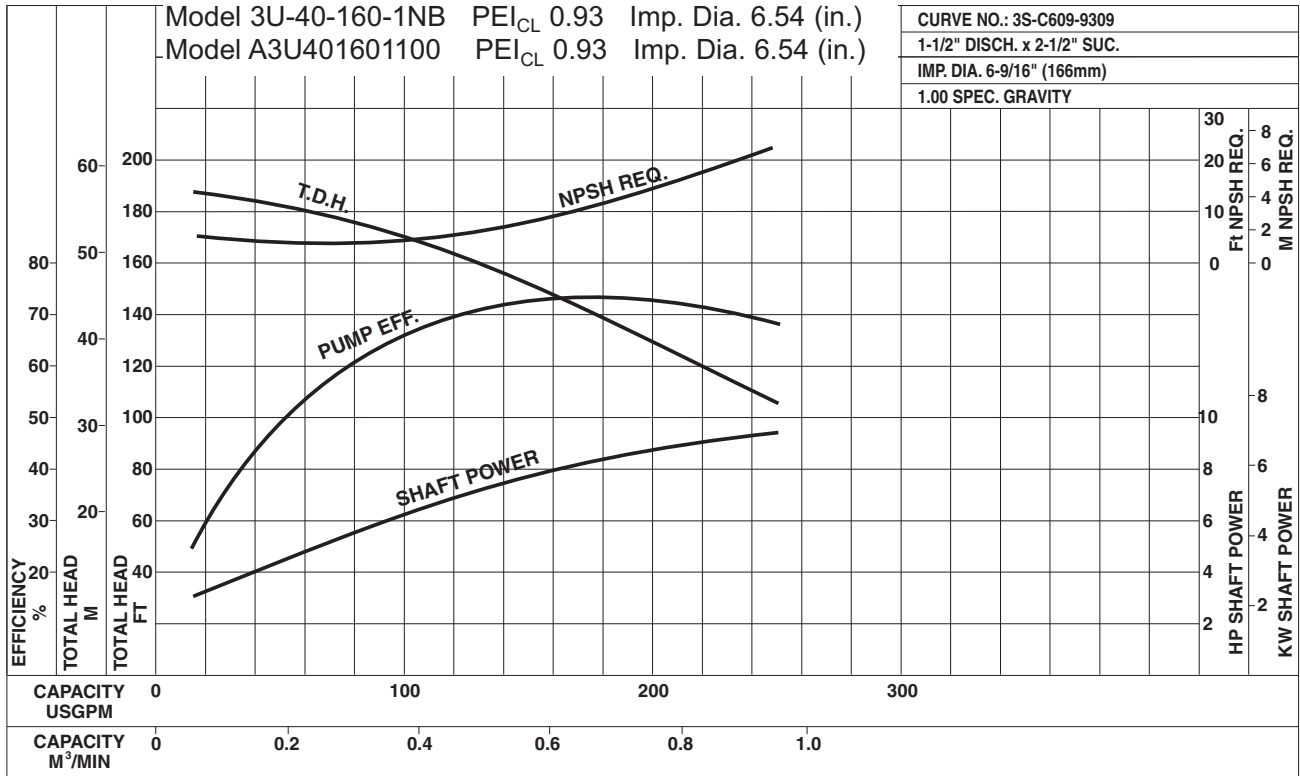
EBARA Stainless Steel Centrifugal Pumps

Performance Curves

3U 40-160-1-10HP

Nominal Speed: 3450 RPM

Size: 1 1/2 x 2 1/2 x 6 9/16



3U 40-200A-15HP

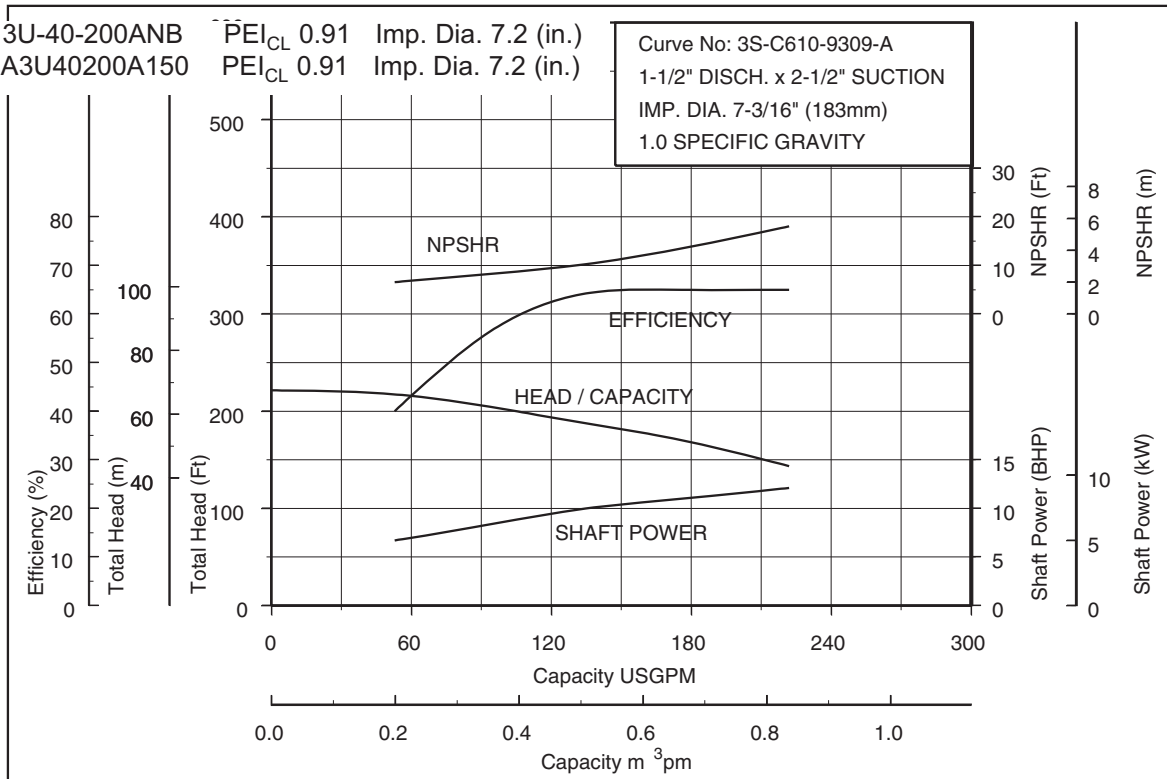
Nominal Speed: 3450 RPM

Size: 1 1/2 x 2 1/2 x 7 3/16

Model 3U-40-200ANB  
Model A3U40200A150

PEI<sub>CL</sub> 0.91 Imp. Dia. 7.2 (in.)  
PEI<sub>CL</sub> 0.91 Imp. Dia. 7.2 (in.)

Curve No: 3S-C610-9309-A  
1-1/2" DISCH. x 2-1/2" SUCTION  
IMP. DIA. 7-3/16" (183mm)  
1.0 SPECIFIC GRAVITY



Model 3U

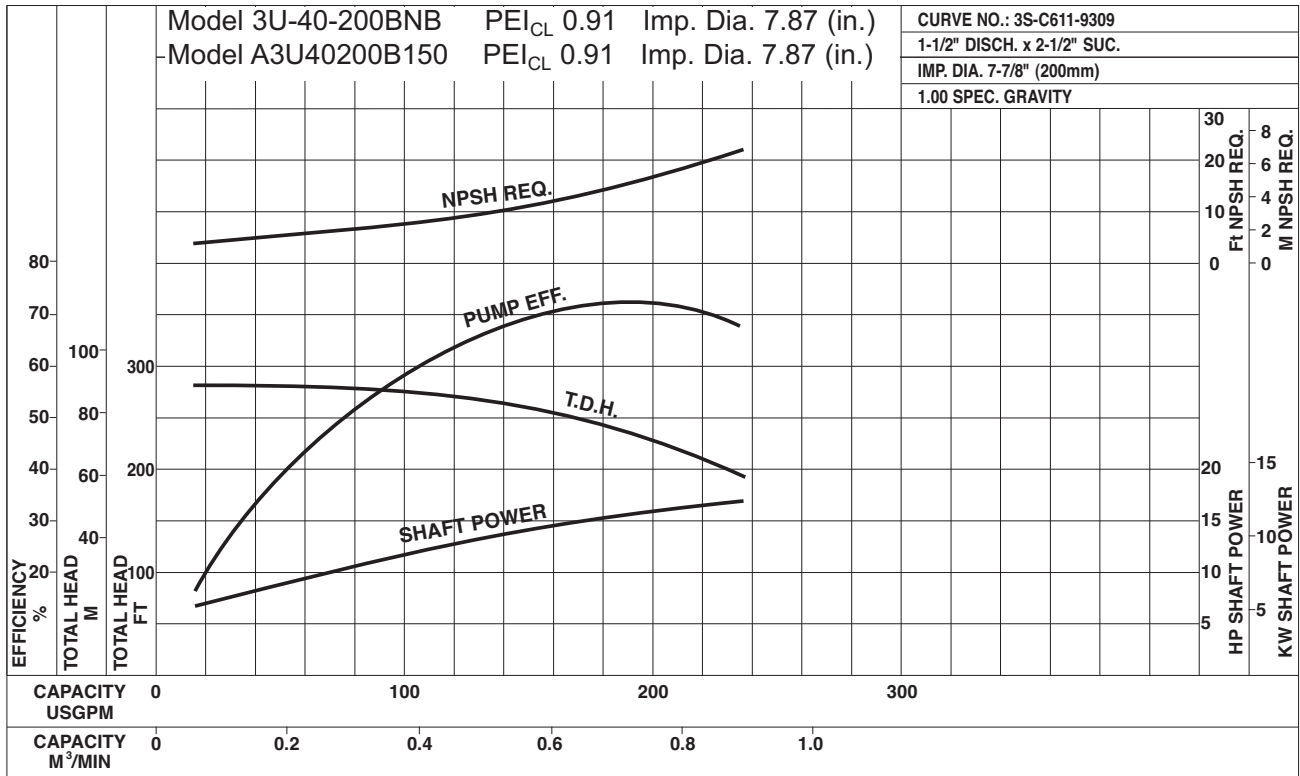
EBARA Stainless Steel Centrifugal Pumps

Performance Curves

3U 40-200B-15HP

Nominal Speed: 3450 RPM

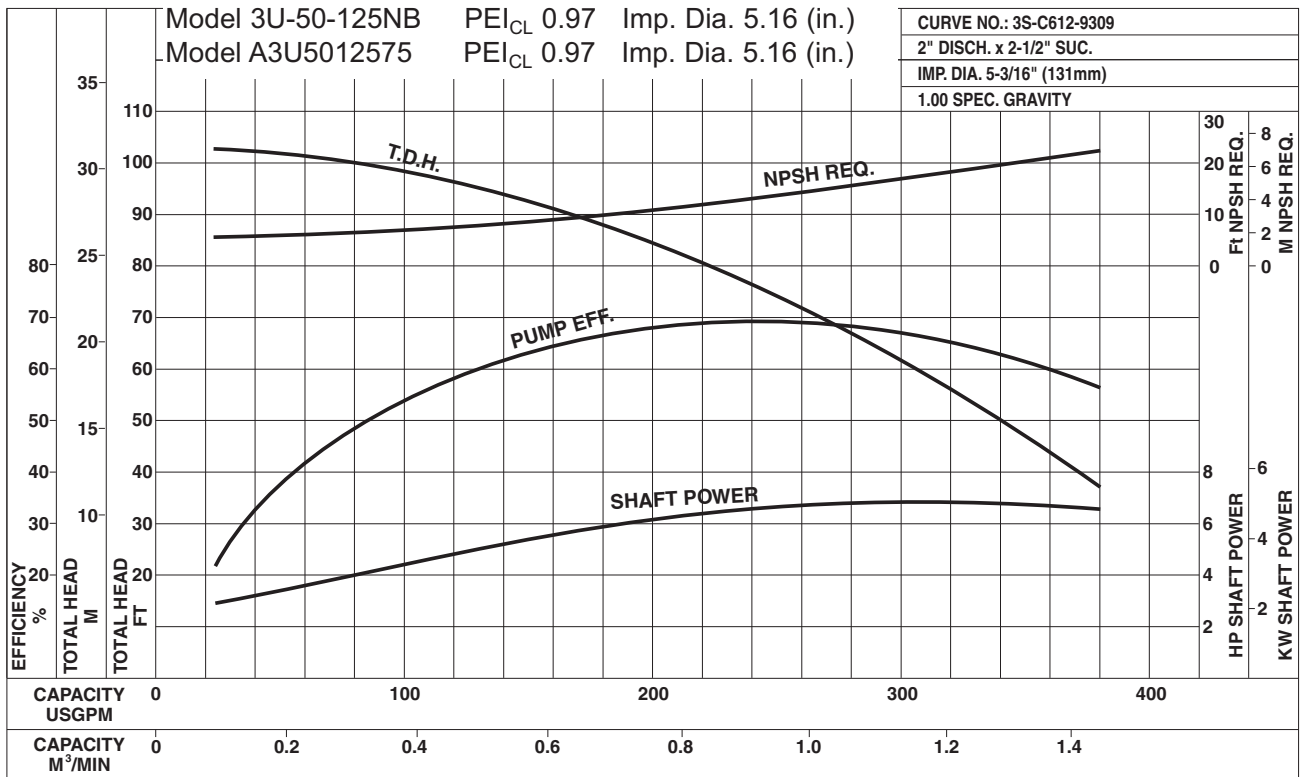
Size: 1 1/2 x 2 1/2 x 7/8



3U 50-125-7 1/2HP

Nominal Speed: 3450 RPM

Size: 2 x 2 1/2 x 5 3/16



Model 3U

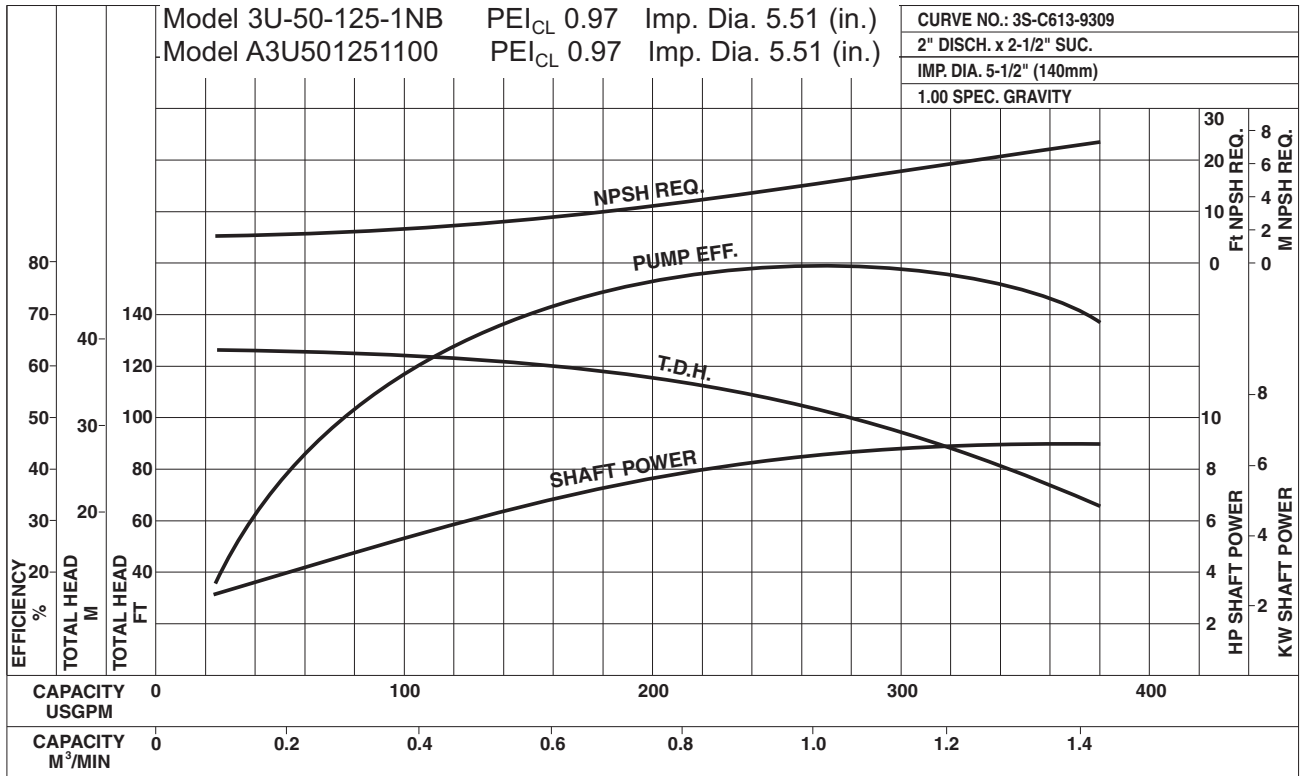
EBARA Stainless Steel Centrifugal Pumps

Performance Curves

3U 50-125-10HP

Nominal Speed: 3450 RPM

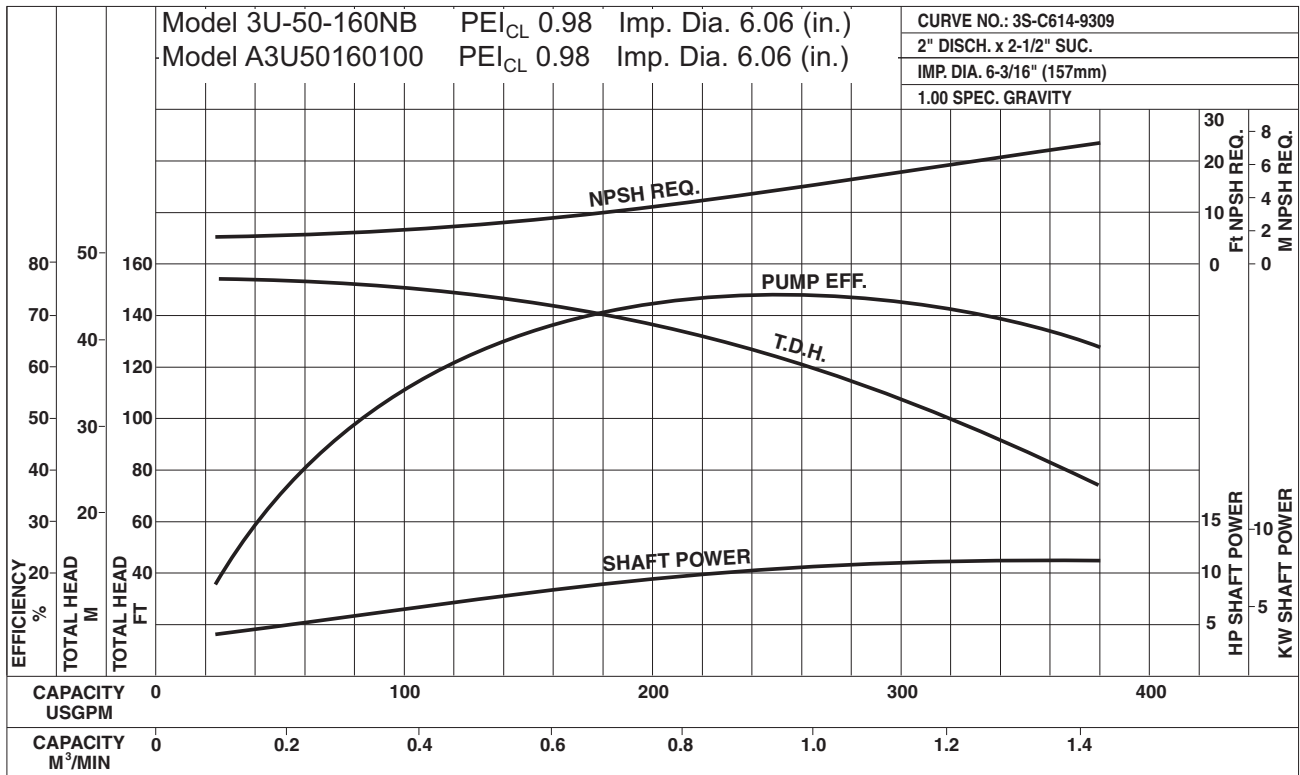
Size: 2 x 2 1/2 x 5 1/2



3U 50-160-10HP

Nominal Speed: 3450 RPM

Size: 2 x 2 1/2 x 6 3/16



Model 3U

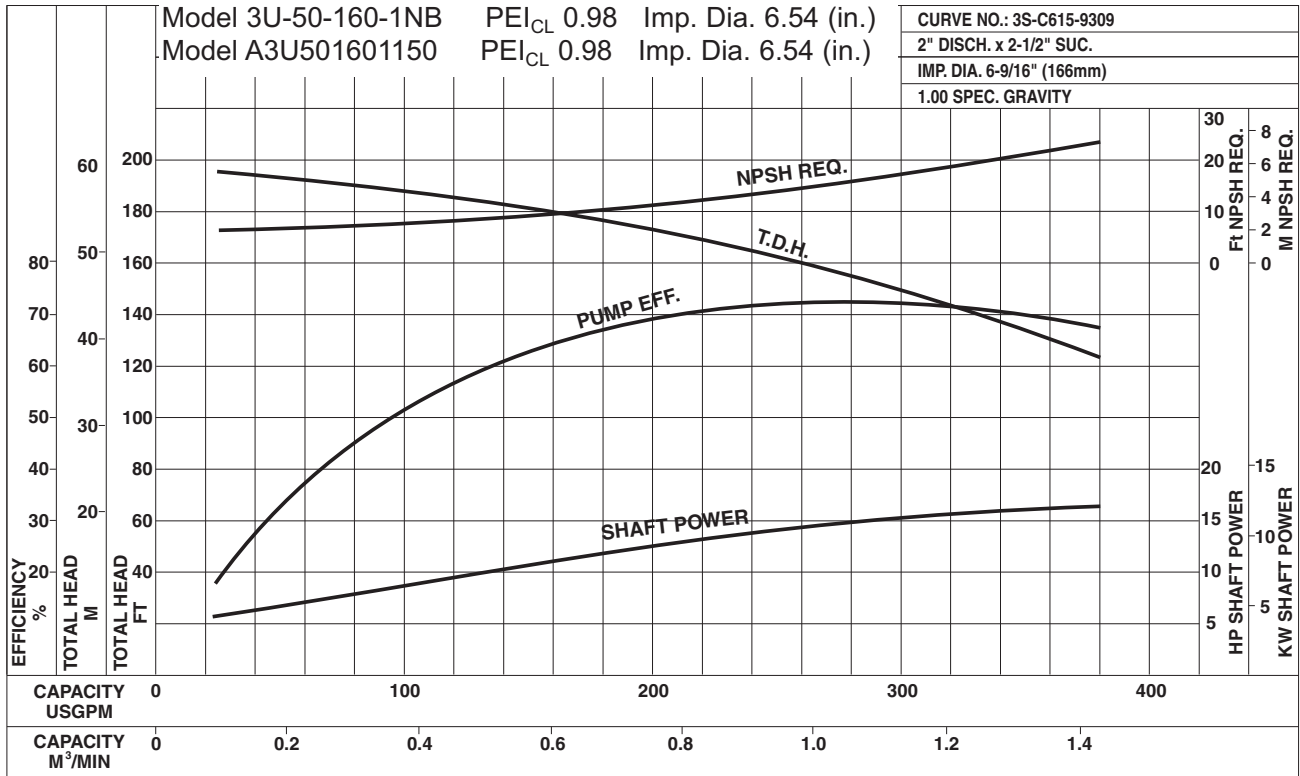
EBARA Stainless Steel Centrifugal Pumps

Performance Curves

3U 50-160-1-15HP

Nominal Speed: 3450 RPM

Size: 2 x 2<sup>1</sup>/<sub>2</sub> x 6<sup>9</sup>/<sub>16</sub>

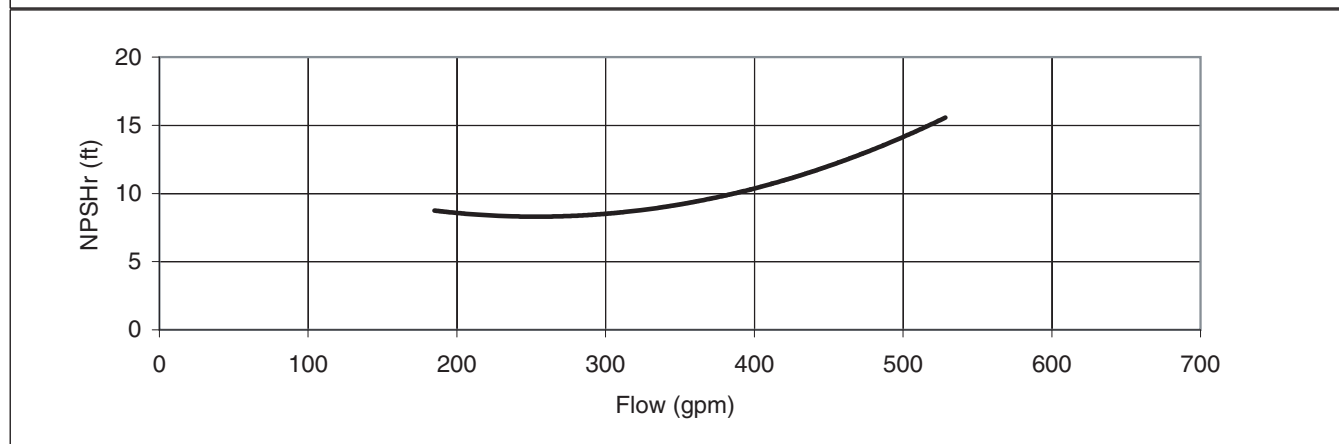
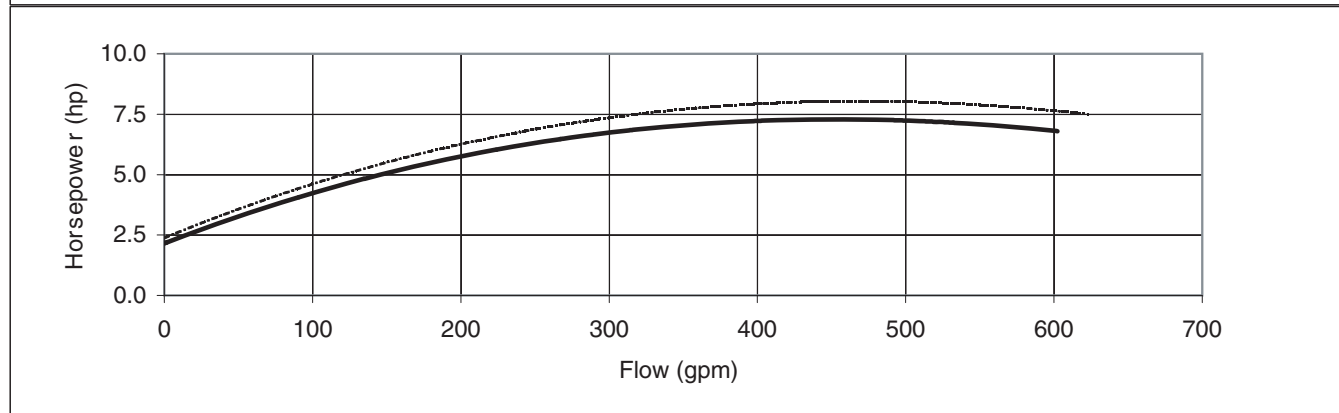
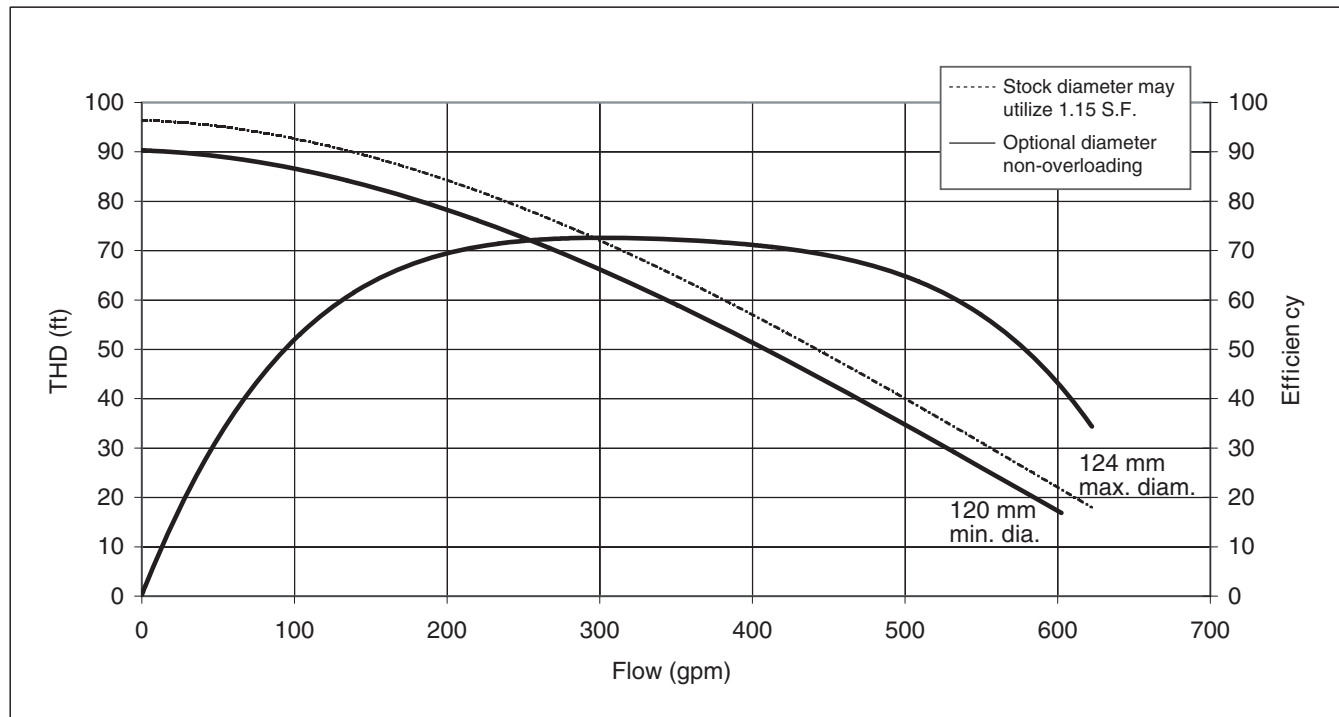


### Performance Curves

3UB 65-125-7.5HP

Nominal Speed: 3450 RPM

Size: 2 1/2 x 3 x 4 7/8 (124mm)

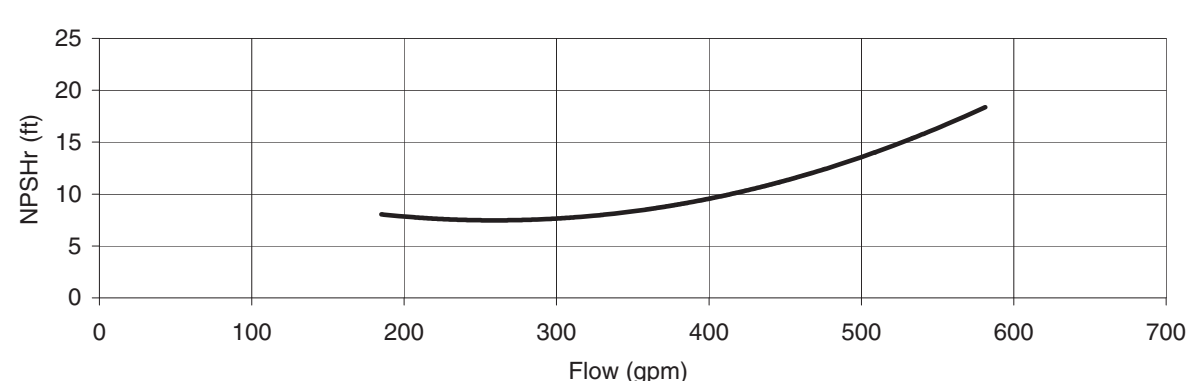
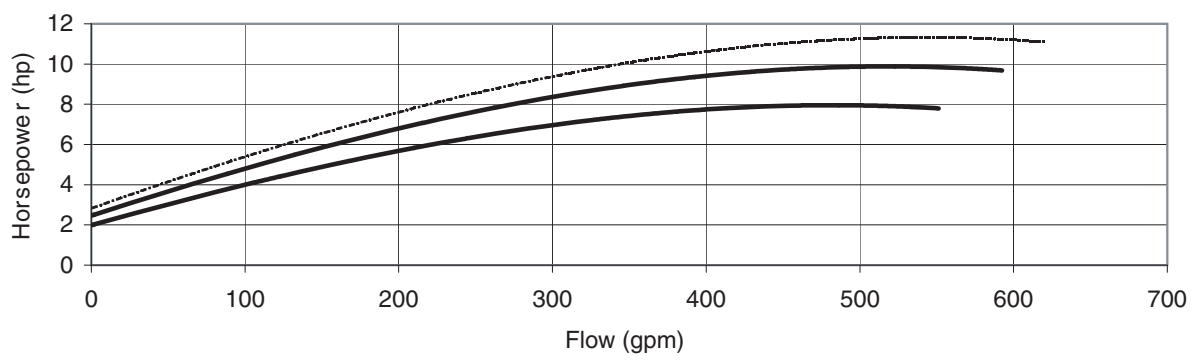
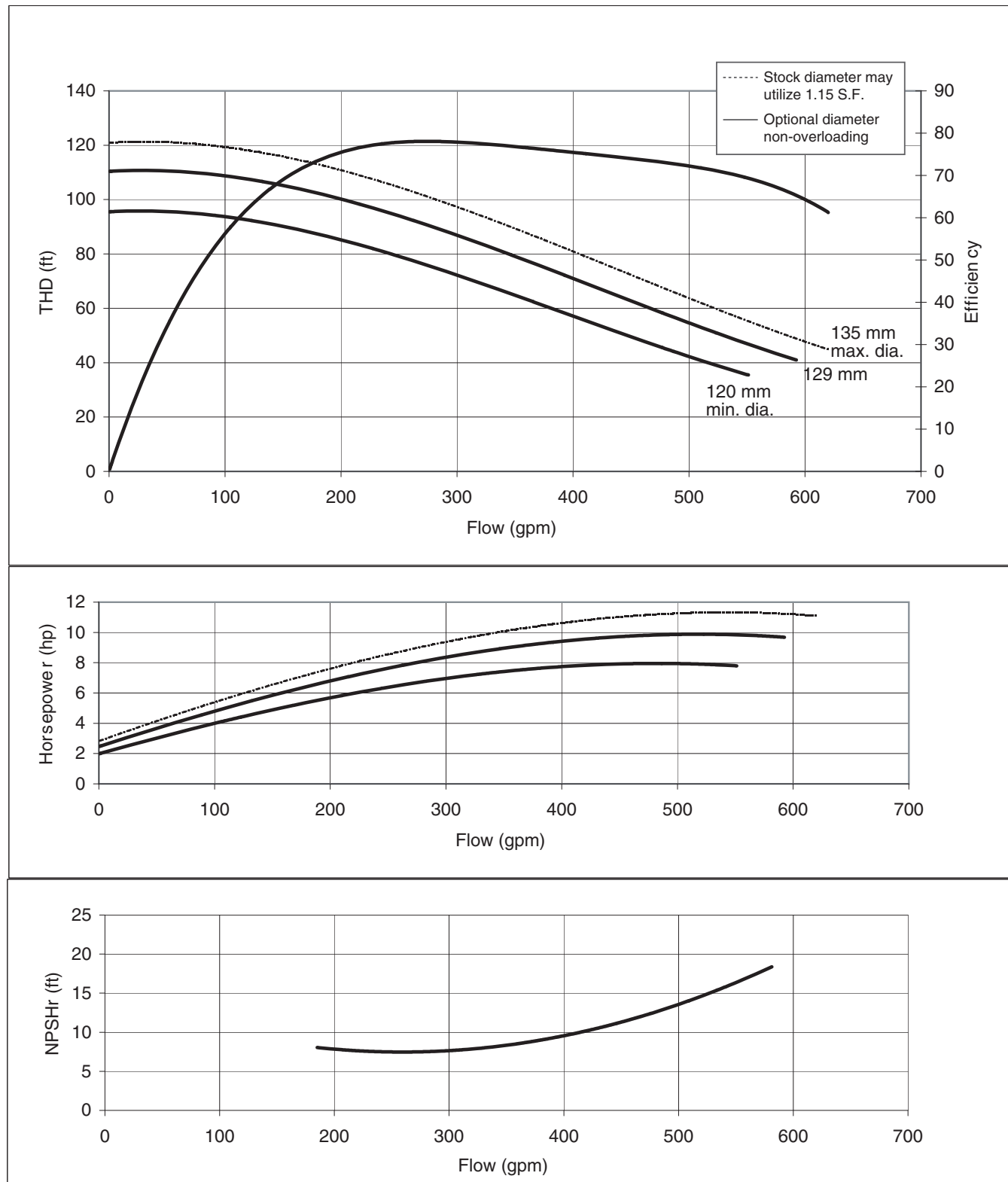


### Performance curves

3UB 65-125-10HP

Nominal Speed: 3450 RPM

Size: 2½ x 3 x 5<sup>5</sup>/<sub>16</sub> (135 mm)

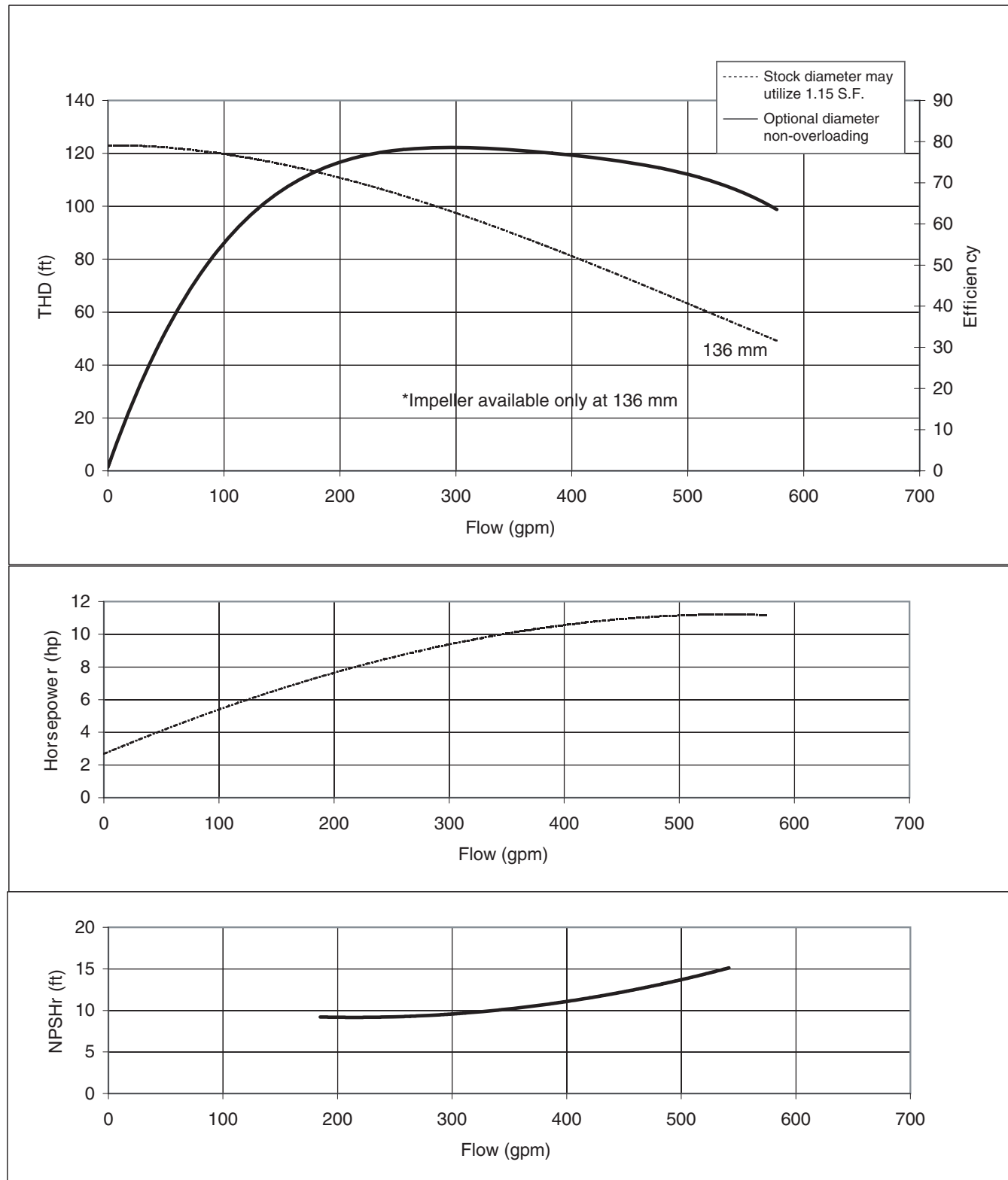


### Performance curves

3UB 65-160-10HP

Nominal Speed: 3450 RPM

Size: 2 1/2 x 3 x 5 3/8 (136mm)



## Model 3UB

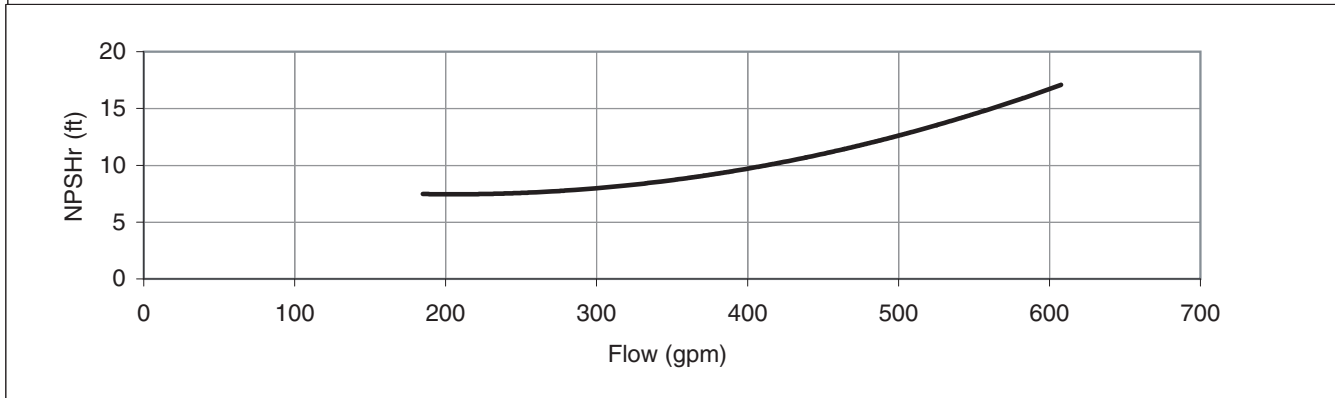
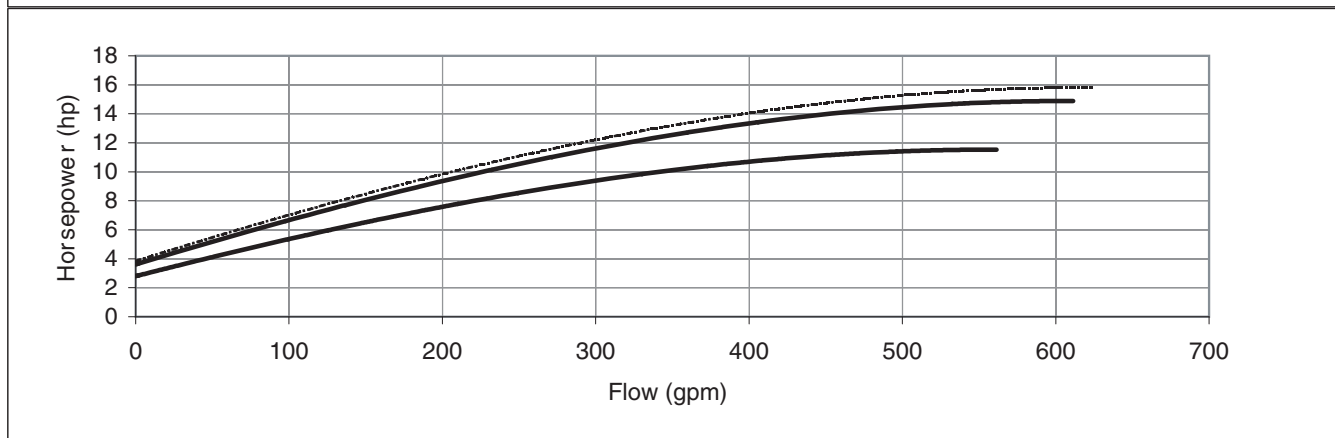
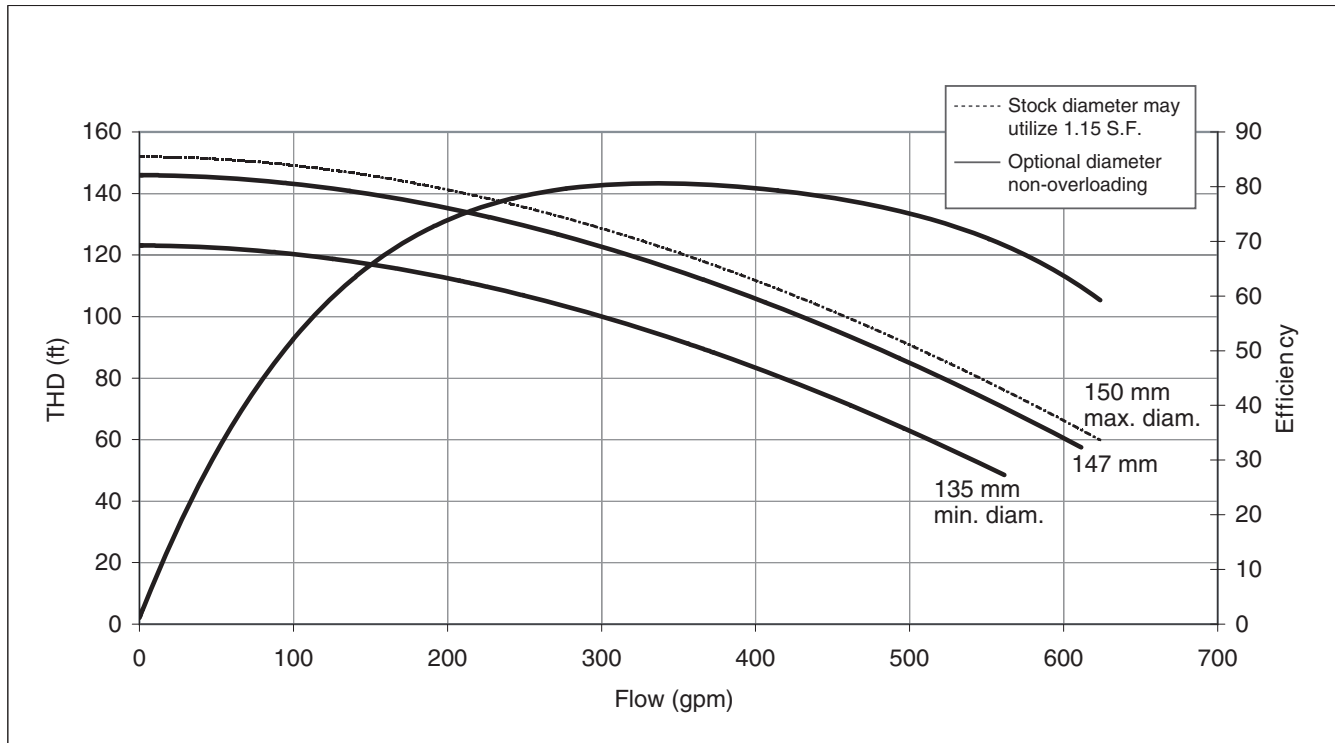
## EBARA Stainless Steel Centrifugal Pumps

### Performance Curves

3UB 65-160-15HP

Nominal Speed: 3450 RPM

Size: 2 1/2 x 3 x 5 7/8 (150mm)



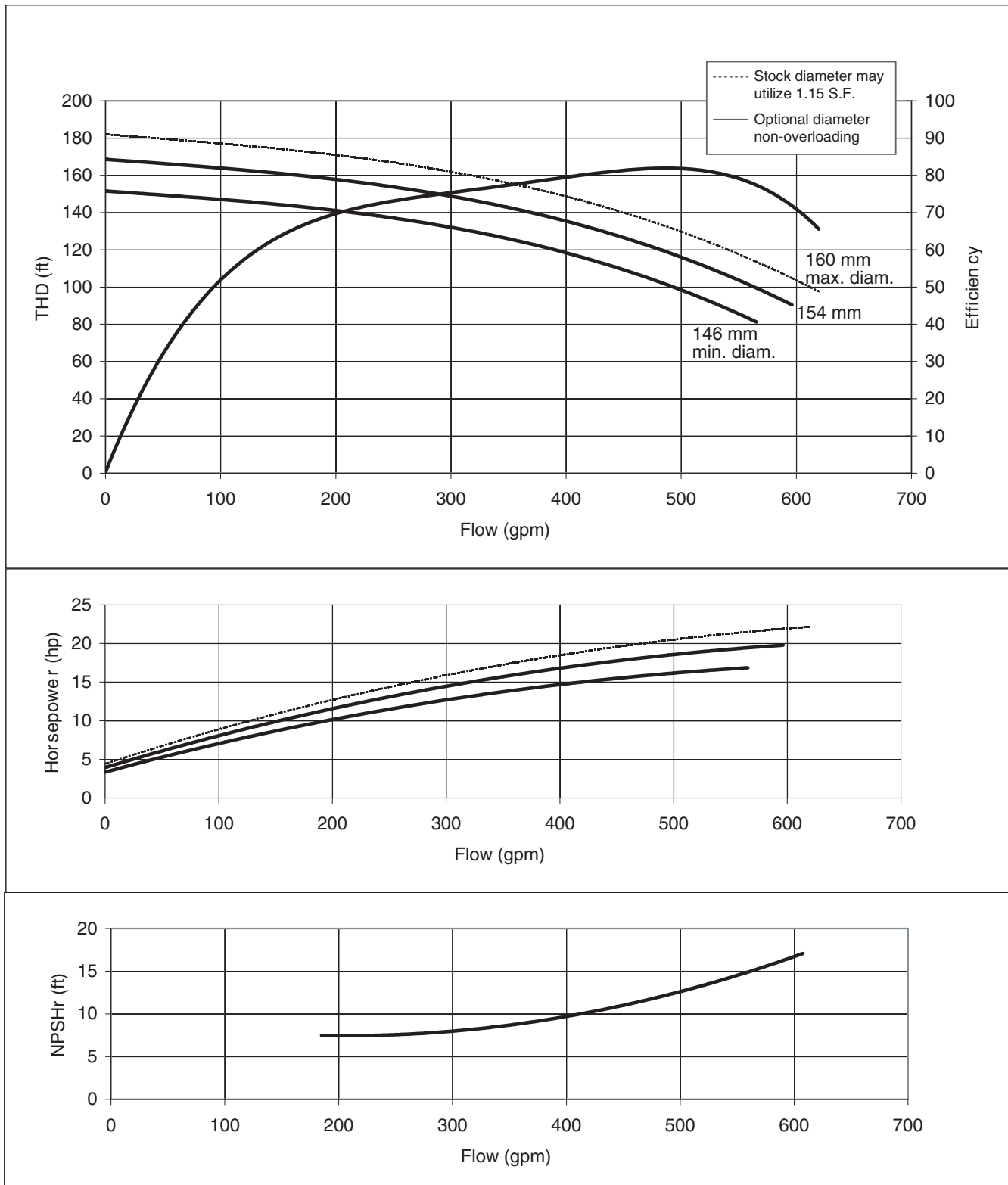


### Performance Curves

3UB 65-160-20HP

Nominal Speed: 3450 RPM

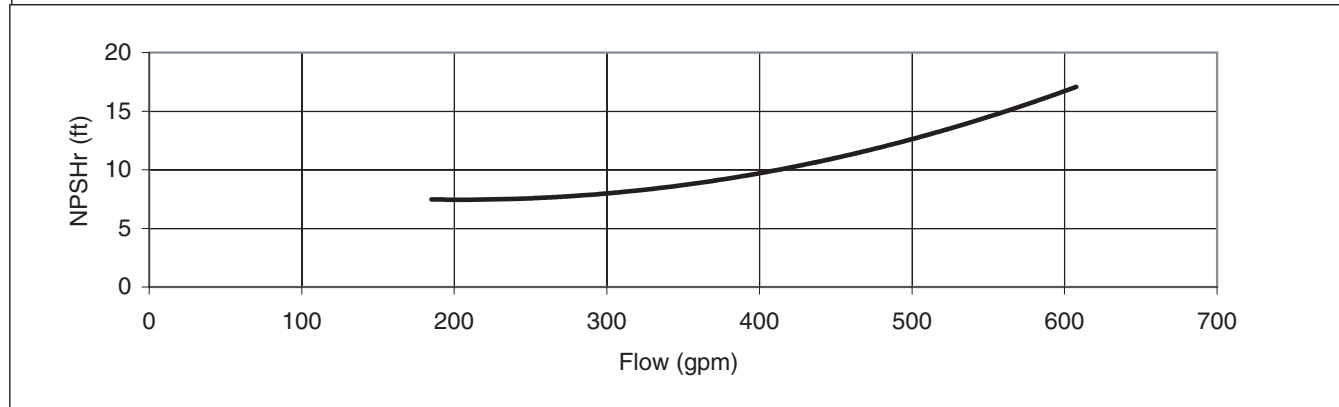
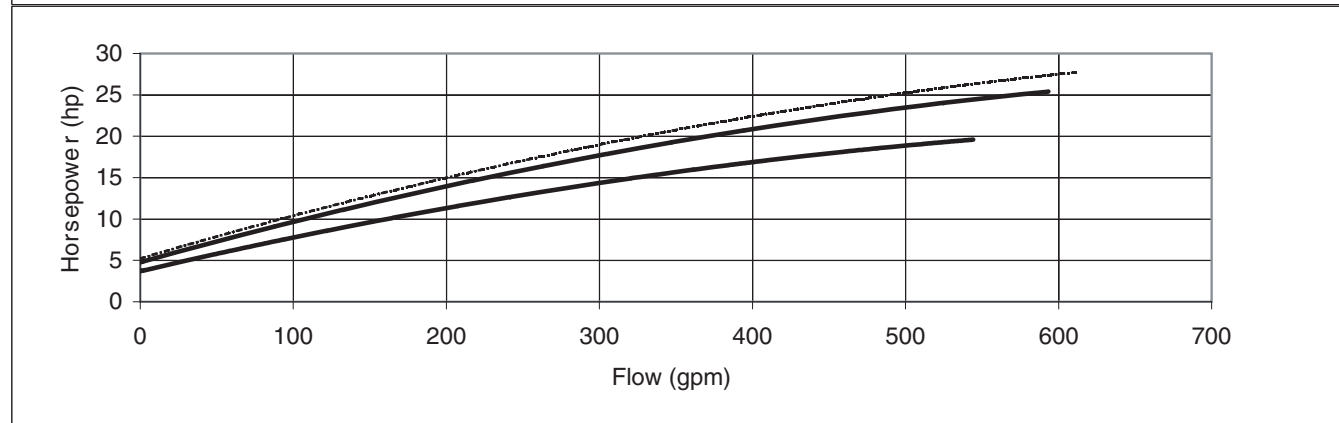
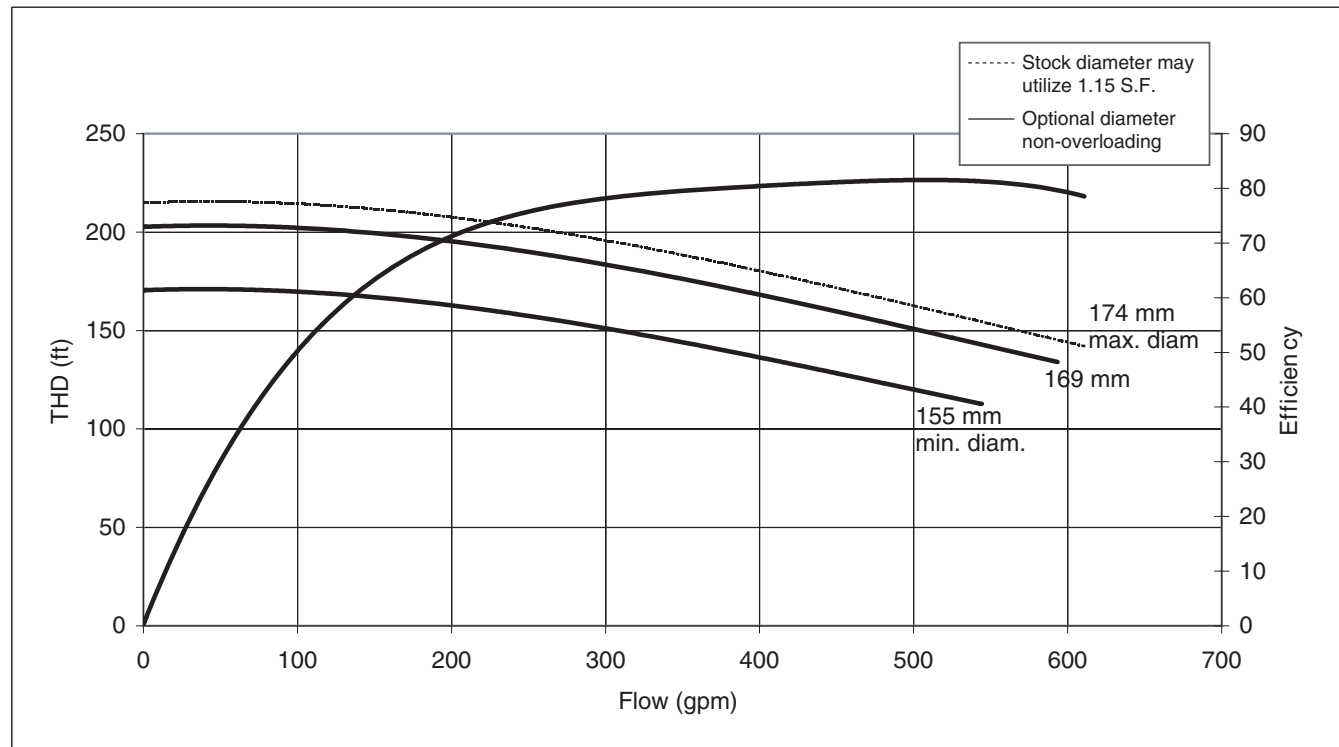
Size: 2½ x 3 x 6<sup>5</sup>/<sub>16</sub> (160mm)



3UB 65-160-25HP

Nominal Speed: 3450 RPM

Size: 2 1/2 x 3 x 6 7/8 (174mm)

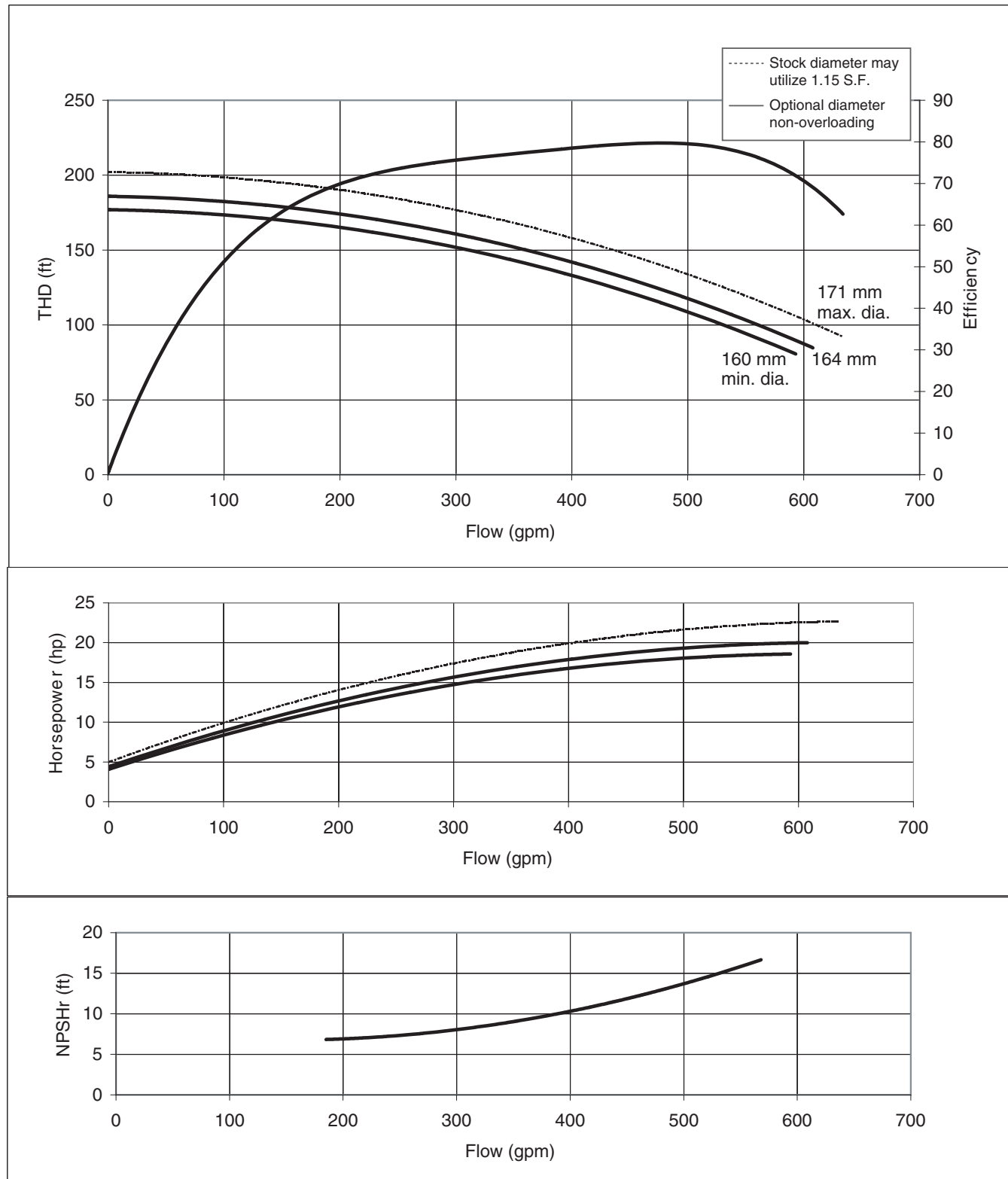


### Performance Curves

3UB 65-200-20HP

Nominal Speed: 3450 RPM

Size: 2 1/2 x 3 x 6 3/4 (171mm)

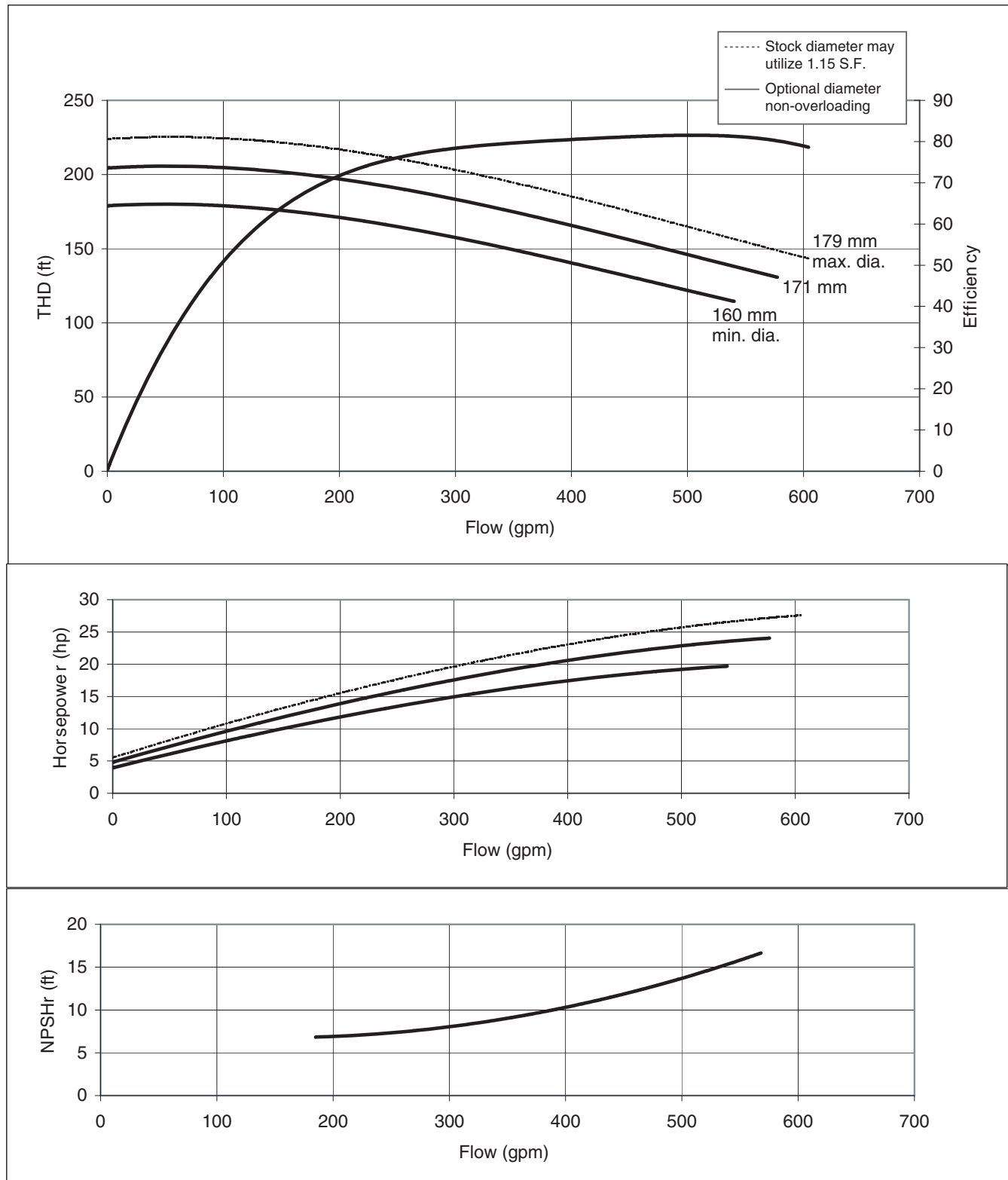


### Performance Curves

3UB 65-200-25HP

Nominal Speed: 3450 RPM

Size: 2½ x 3 x 7 (179mm)

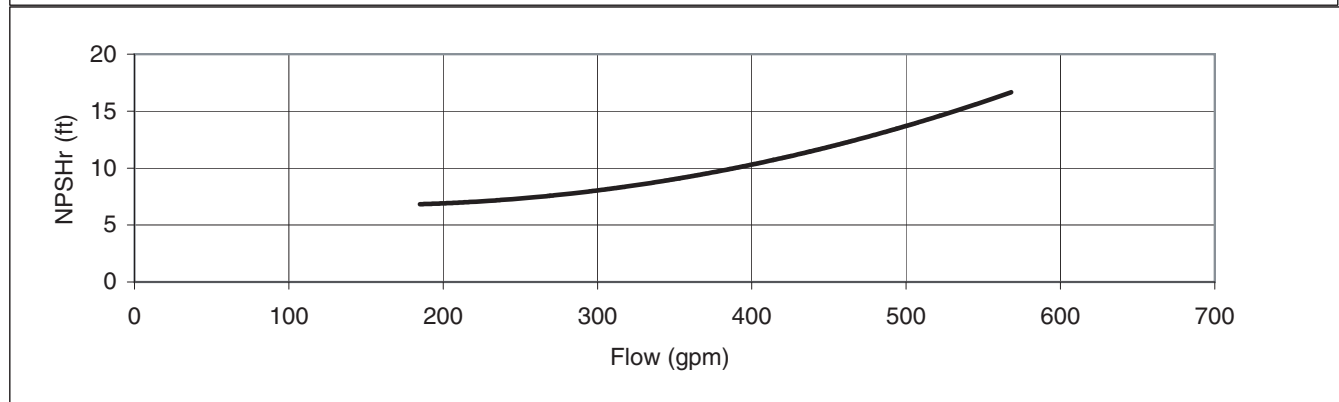
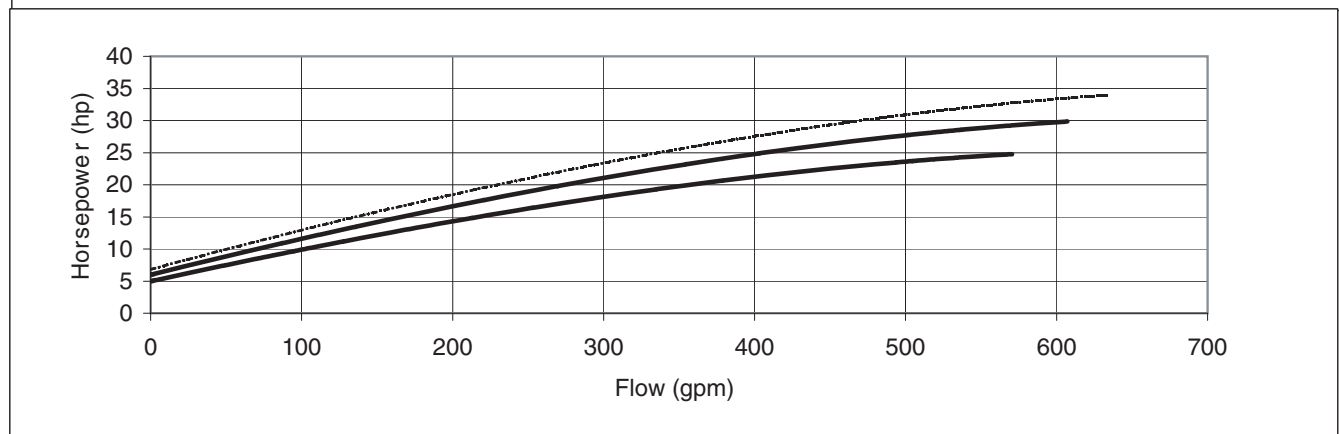
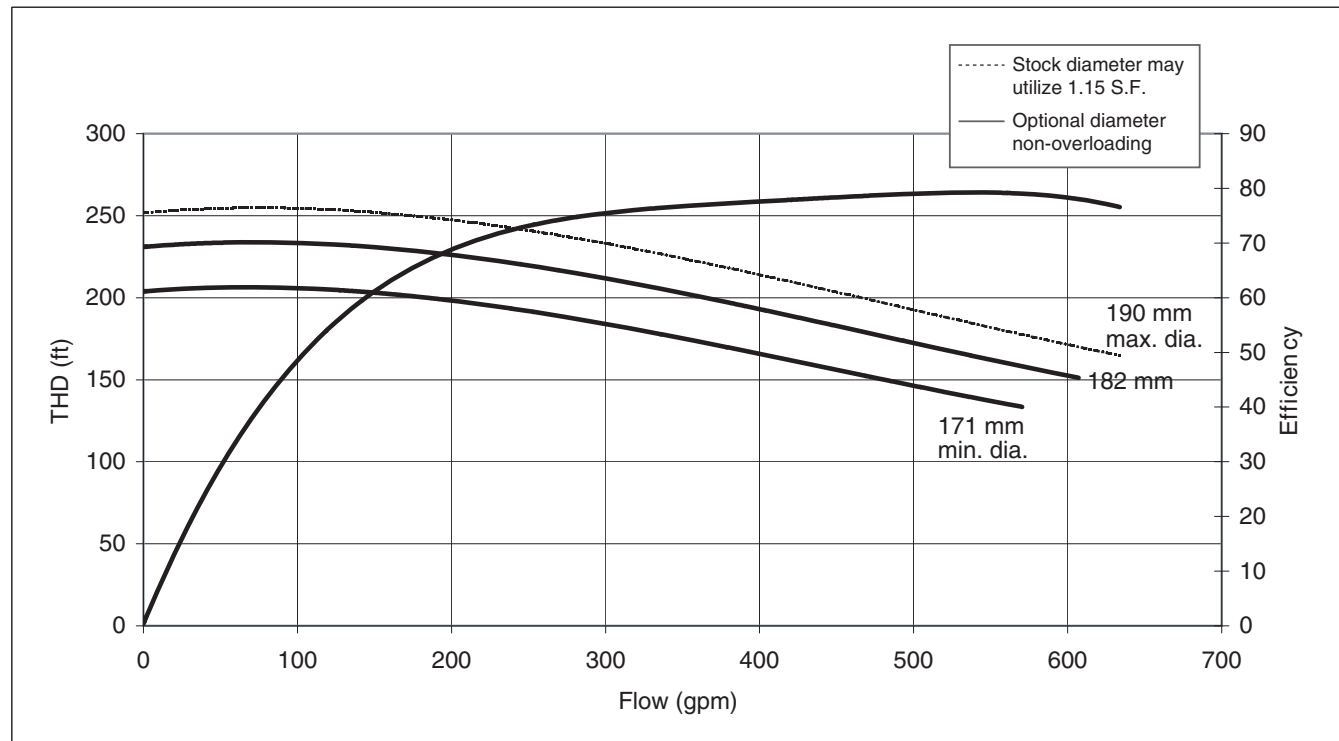


### Performance Curves

3UB 65-200-30HP

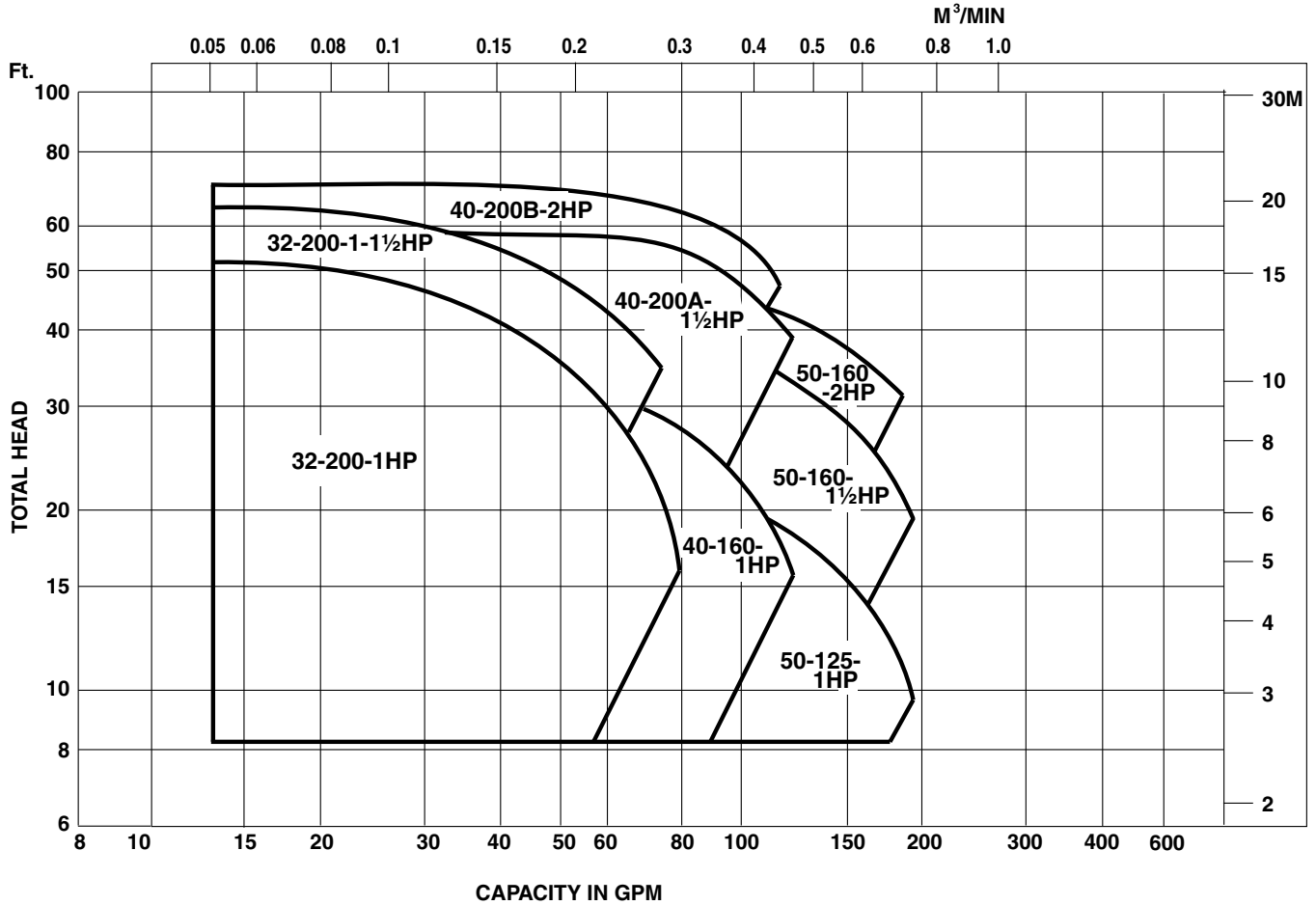
Nominal Speed: 3450 RPM

Size: 2 1/2 x 3 x 7 1/2 (190mm)



Selection chart

Nominal Speed 1725 RPM



Model 3U

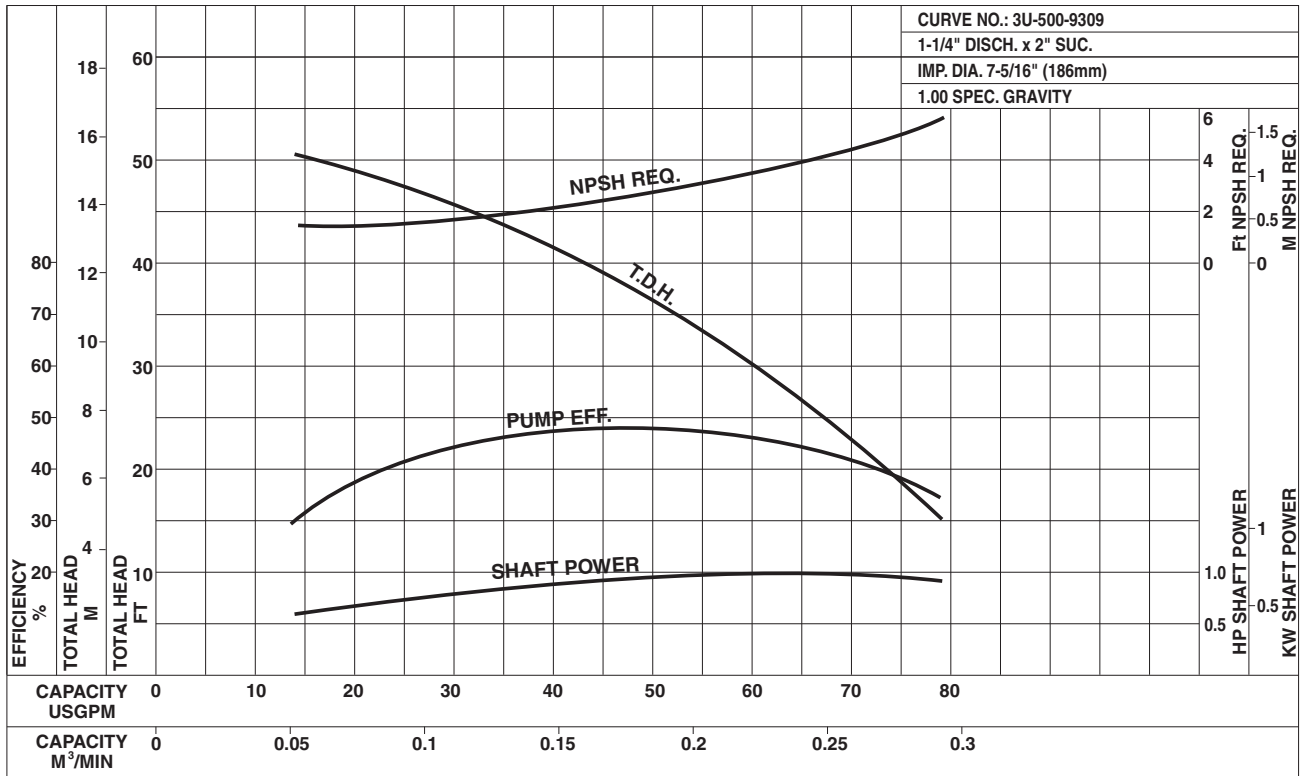
EBARA Stainless Steel Centrifugal Pumps

Performance Curves

3U4 32-200-1HP

Nominal Speed: 1725 RPM

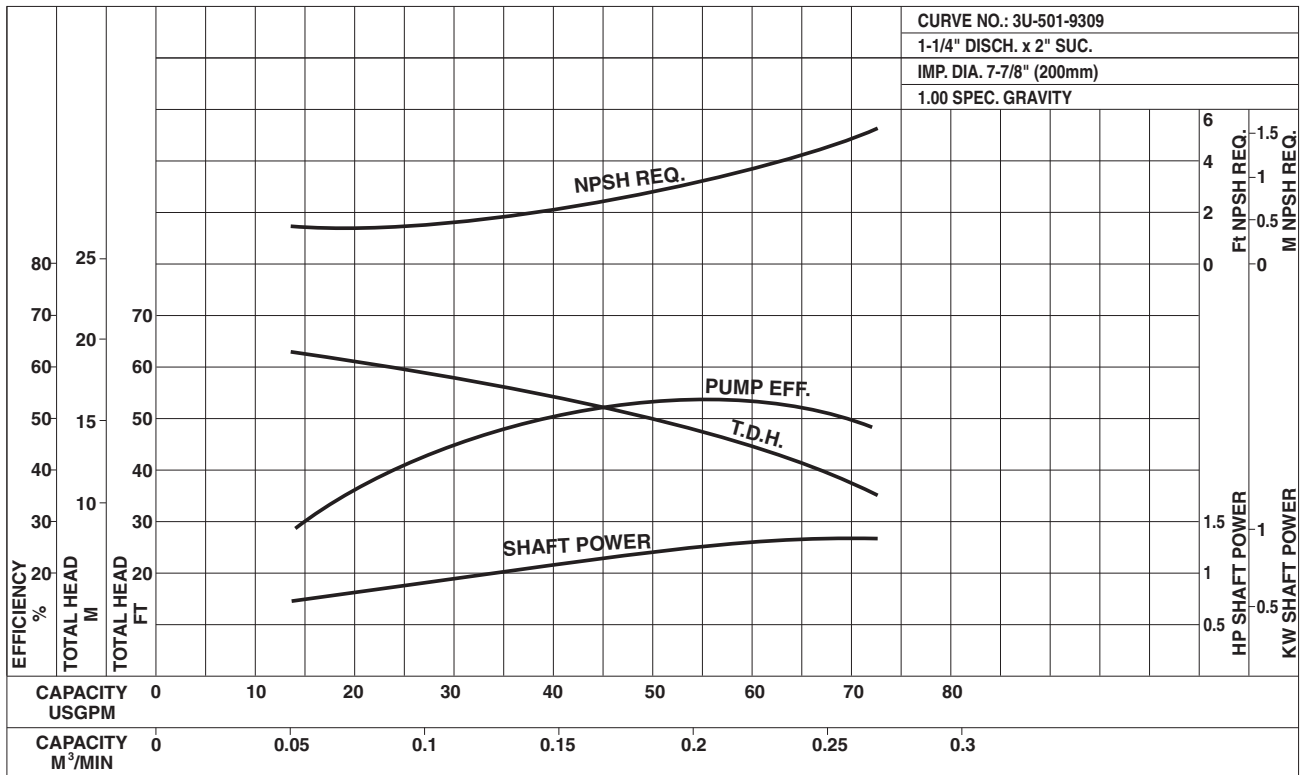
Size: 1 1/4 x 2 x 7 5/16



3U4 32-200-1-1 1/2HP

Nominal Speed: 1725 RPM

Size: 1 1/4 x 2 x 7 7/8



Model 3U

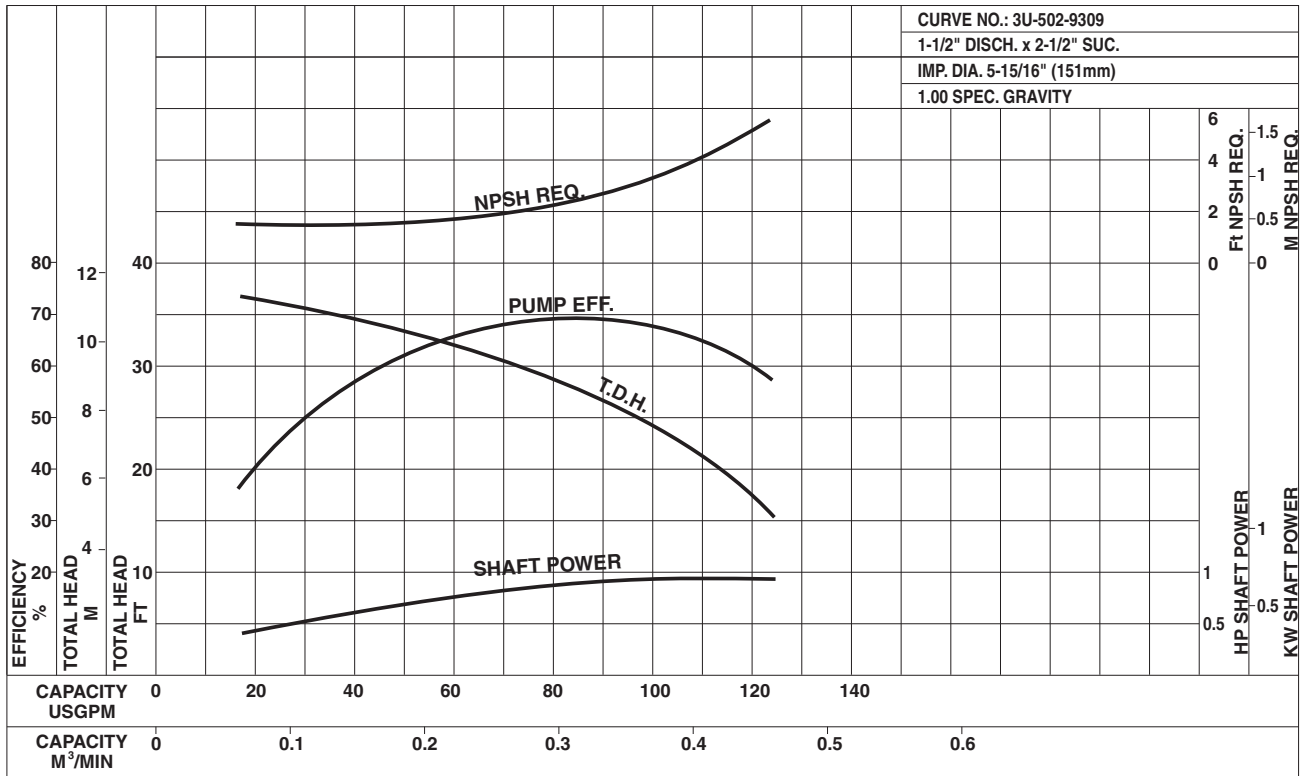
EBARA Stainless Steel Centrifugal Pumps

Performance Curves

3U4 40-160-1HP

Nominal Speed: 1725 RPM

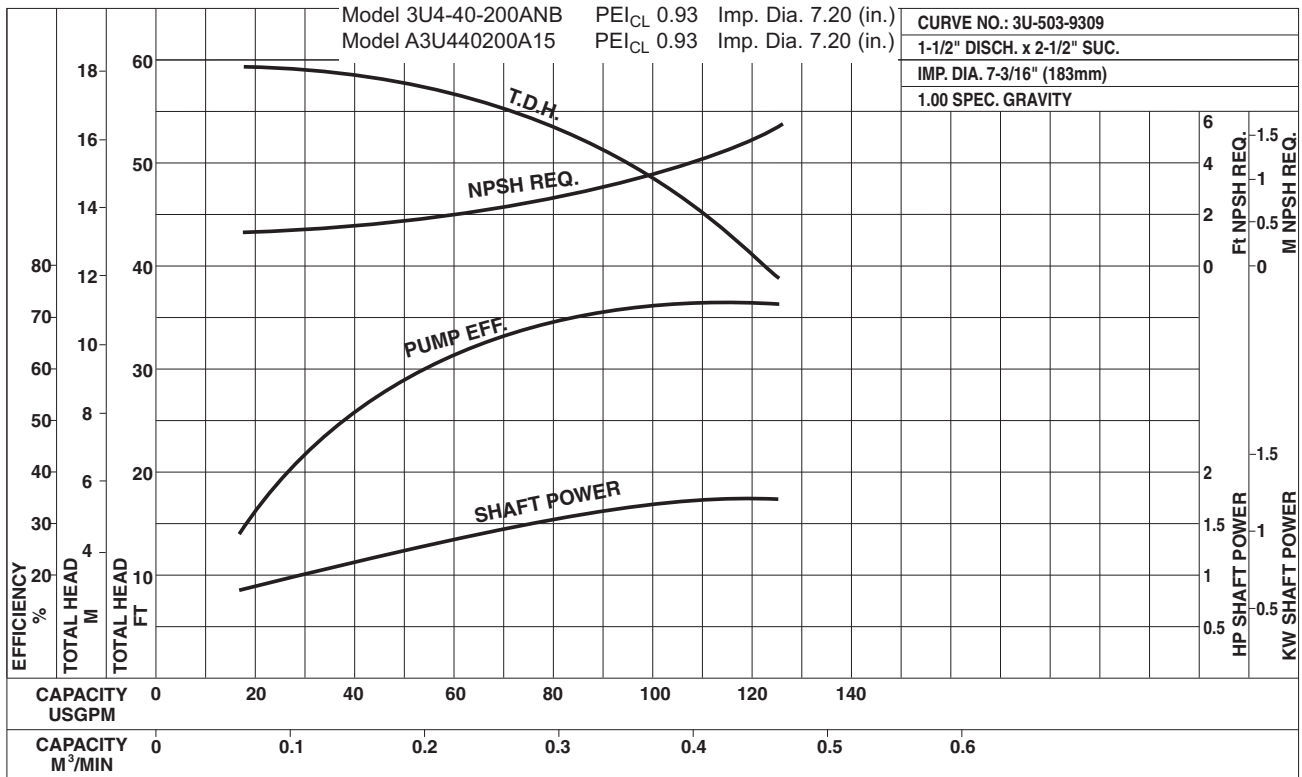
Size: 1 1/2 x 2 1/2 x 5 15/16



3U4 40-200A-1 1/2HP

Nominal Speed: 1725 RPM

Size: 1 1/2 x 2 1/2 x 7 3/16





Model 3U

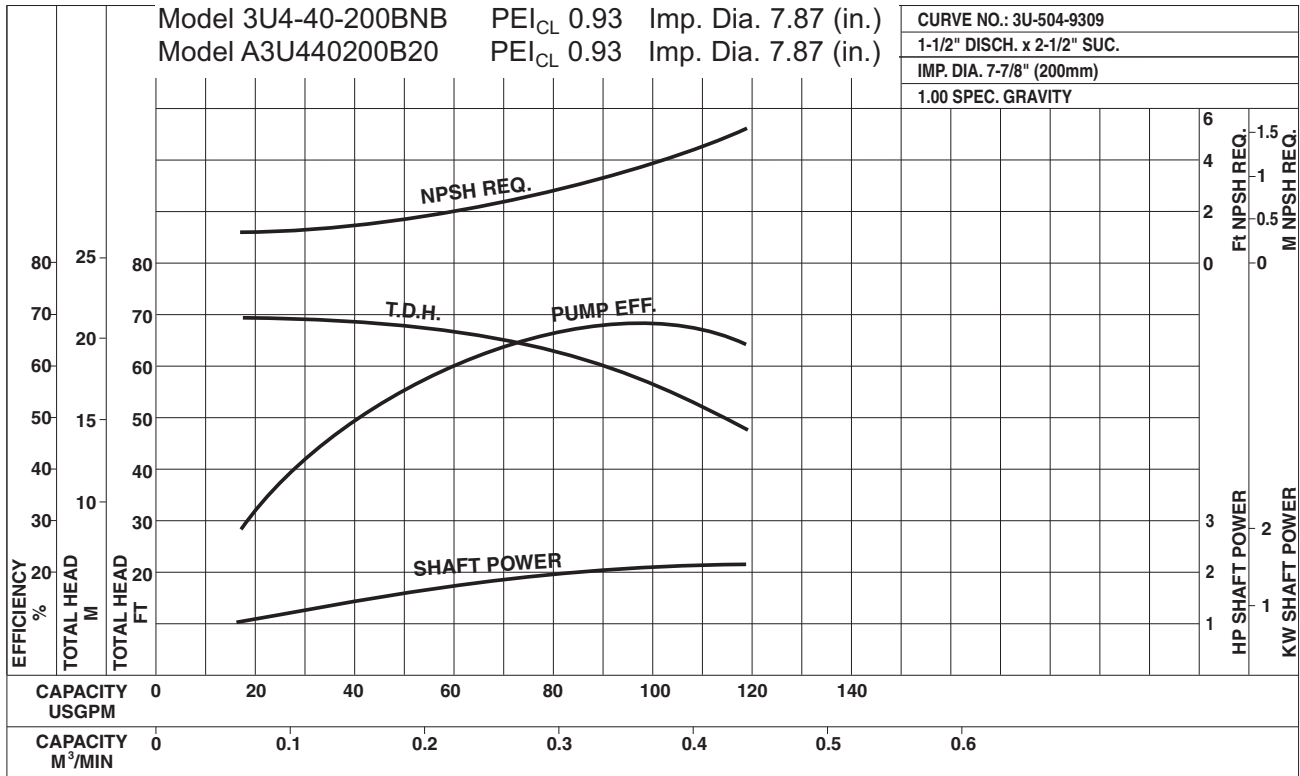
EBARA Stainless Steel Centrifugal Pumps

Performance Curves

3U4 40-200B-2HP

Nominal Speed: 1725 RPM

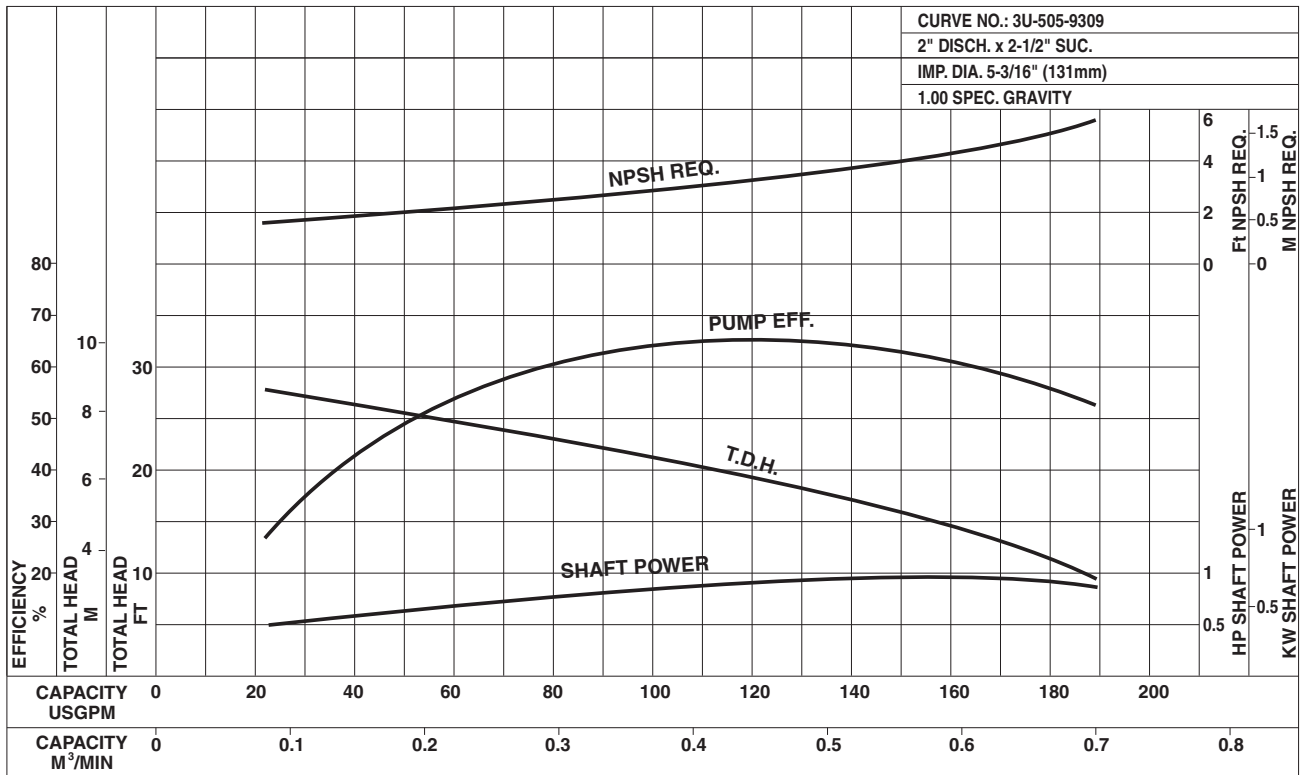
Size: 1 1/2 x 2 1/2 x 7/8



3U4 50-125-1HP

Nominal Speed: 1725 RPM

Size: 2 x 2 1/2 x 5 3/16



Model 3U

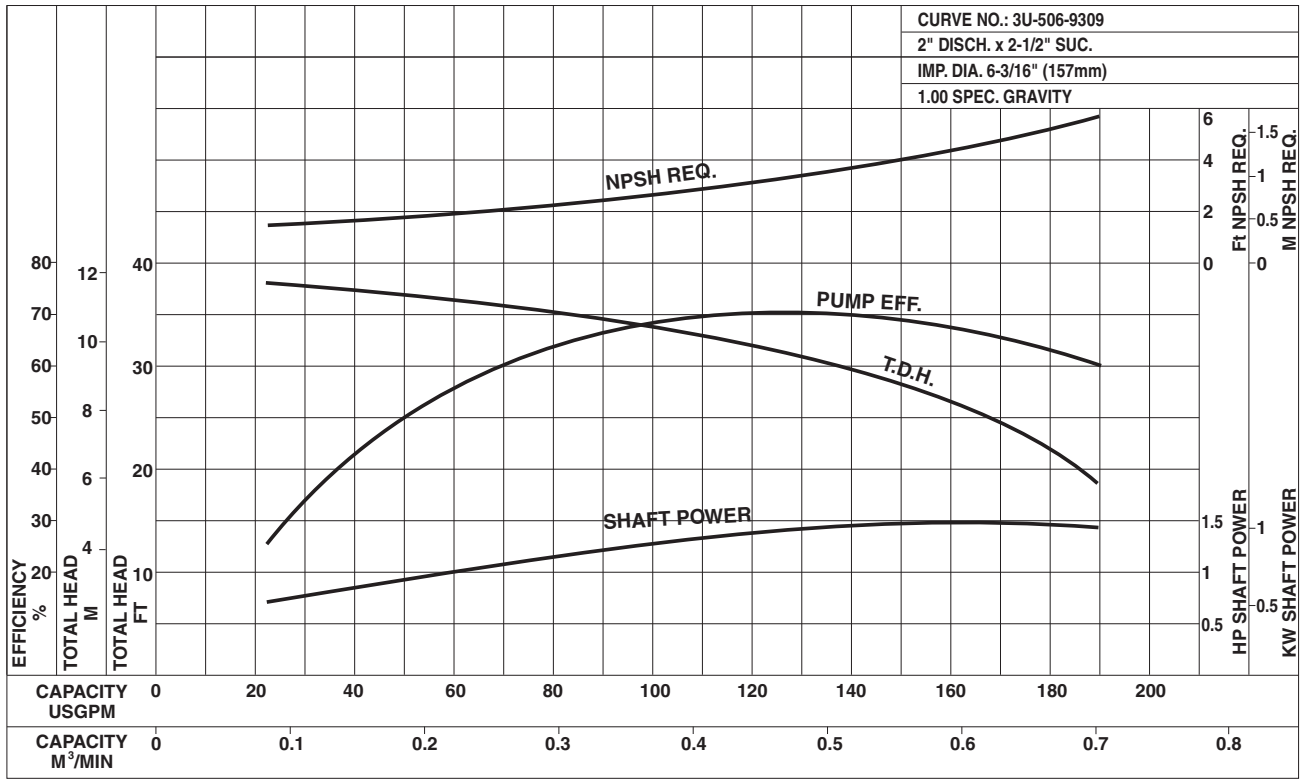
EBARA Stainless Steel Centrifugal Pumps

Performance Curves

3U4 50-160-1<sup>1</sup>/<sub>2</sub>HP

Nominal Speed: 1725 RPM

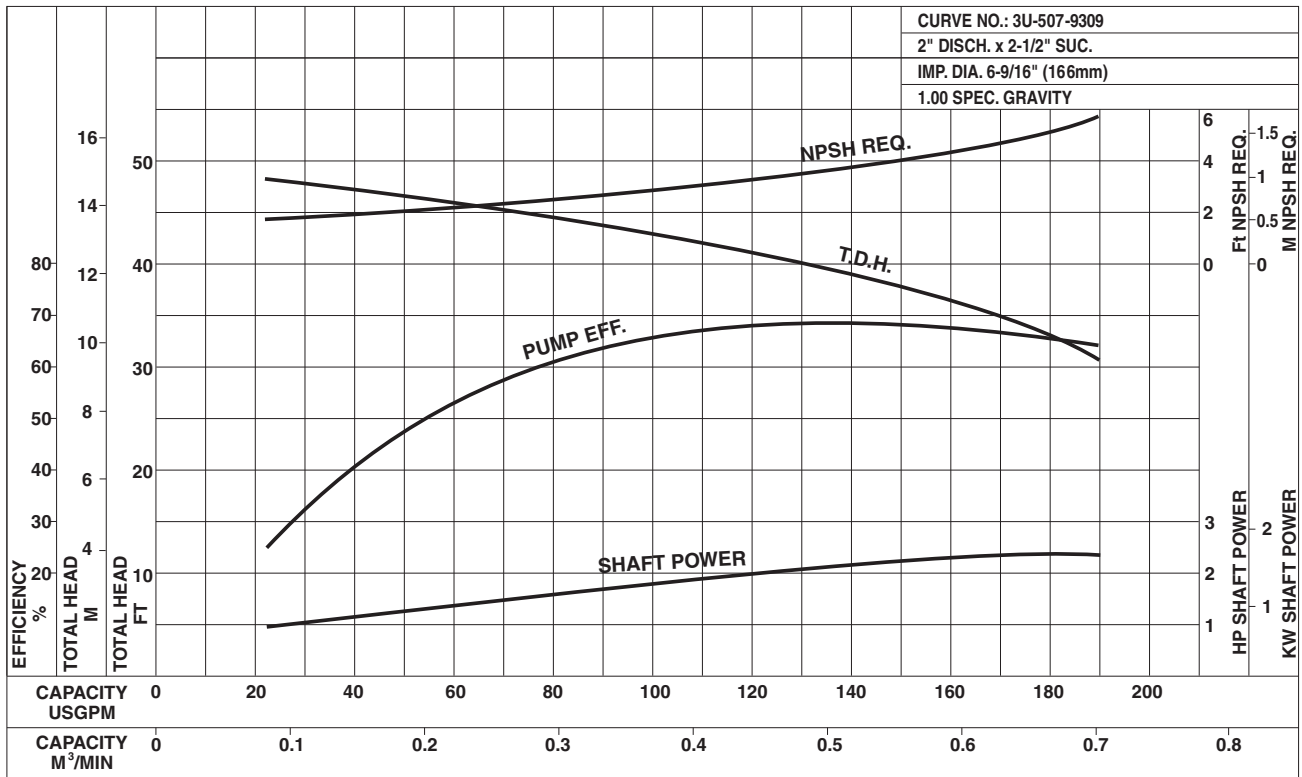
Size: 2 x 2<sup>1</sup>/<sub>2</sub> x 6<sup>3</sup>/<sub>16</sub>



3U4 50-160-1-2HP

Nominal Speed: 1725 RPM

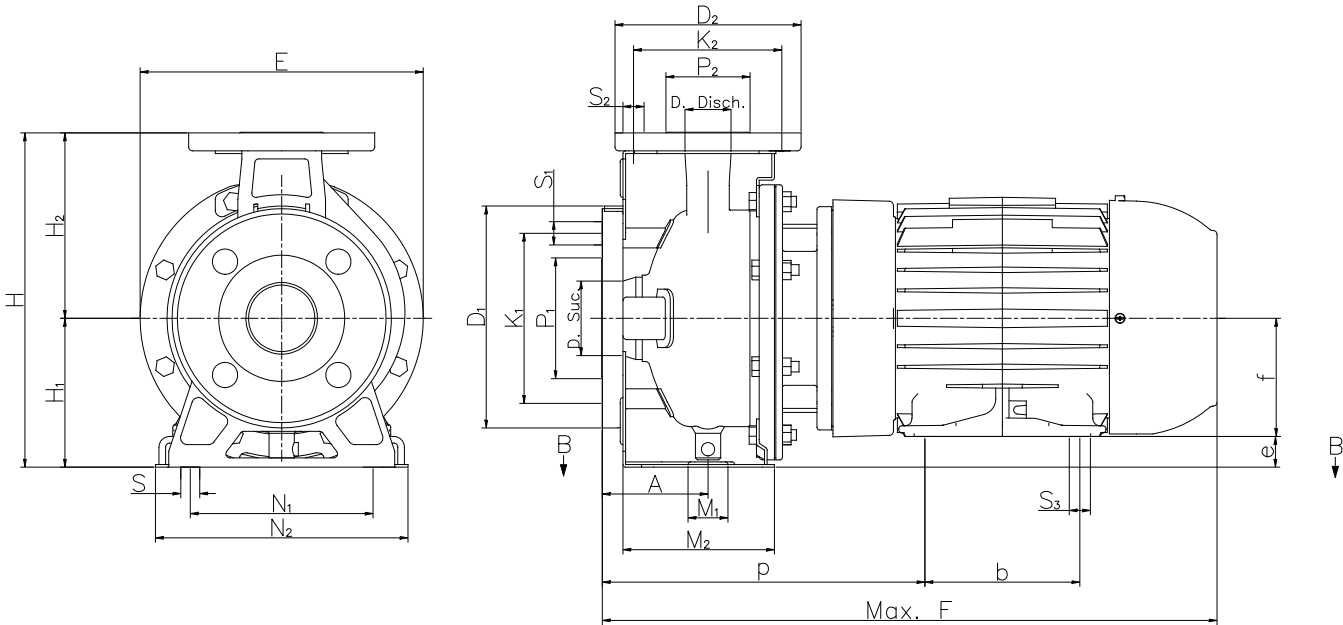
Size: 2 x 2<sup>1</sup>/<sub>2</sub> x 6<sup>9</sup>/<sub>16</sub>



Model 3U

EBARA Stainless Steel Centrifugal Pumps

Pump Dimensions



Unit: inch

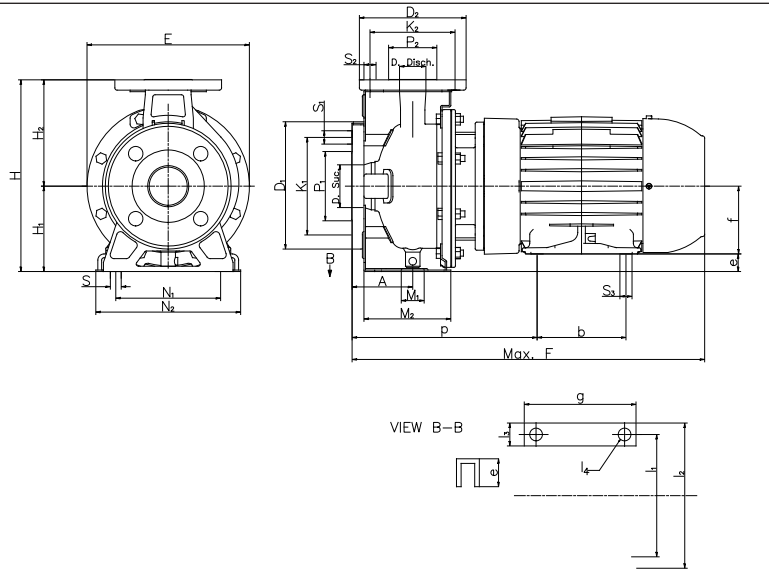
Model	Size	Flange										Pump									
		Suction					Discharge														
		D Suc.	P <sub>1</sub>	K <sub>1</sub>	D <sub>1</sub>	S <sub>1</sub>	D Disch.	P <sub>2</sub>	K <sub>2</sub>	D <sub>2</sub>	S <sub>2</sub>	A	E	H	H <sub>1</sub>	H <sub>2</sub>	M <sub>1</sub>	M <sub>2</sub>	N <sub>1</sub>	N <sub>2</sub>	S
32-125-3HP	1 1/4 x 2 x 5 9/16	2	3 3/4	4 15/16	6 1/2	1 1/16	1 1/4	2 1/2	3 1/2	5 1/2	5/8	3 1/8	8 3/8	9 15/16	4 7/16	5 1/2	2 3/4	4 1/2	5 1/2	7 1/2	9 1/16
32-160A-5HP	1 1/4 x 2 x 5 15/16	2	3 3/4	4 15/16	6 1/2	1 1/16	1 1/4	2 1/2	3 1/2	5 1/2	5/8	3 1/8	10	11 1/2	5 3/16	6 5/16	2 3/4	4 5/8	7 1/2	9 7/16	9 1/16
32-160B-5HP	1 1/4 x 2 x 6 9/16	2	3 3/4	4 15/16	6 1/2	1 1/16	1 1/4	2 1/2	3 1/2	5 1/2	5/8	3 1/8	10	11 1/2	5 3/16	6 5/16	2 3/4	4 5/8	7 1/2	9 7/16	9 1/16
32-200-7 1/2HP	1 1/4 x 2 x 7 9/16	2	3 3/4	4 15/16	6 1/2	1 1/16	1 1/4	2 1/2	3 1/2	5 1/2	5/8	3 1/8	11 9/16	13 3/8	6 5/16	7 1/16	2 3/4	4 11/16	7 1/2	9 7/16	9 1/16
32-200-10HP	1 1/4 x 2 x 7 7/8	2	3 3/4	4 15/16	6 1/2	1 1/16	1 1/4	2 1/2	3 1/2	5 1/2	5/8	3 1/8	11 9/16	13 3/8	6 5/16	7 1/16	2 3/4	4 11/16	7 1/2	9 7/16	9 1/16
40-125A-5HP	1 1/2 x 2 1/2 x 4 15/16	2 1/2	4 9/16	5 11/16	7 5/16	1 1/16	1 1/2	2 7/8	3 7/8	5 7/8	5/8	3 1/8	8 3/8	9 15/16	4 7/16	5 1/2	2 3/4	4 1/2	6 5/16	8 1/4	9 1/16
40-125B-5HP	1 1/2 x 2 1/2 x 5 1/2	2 1/2	4 9/16	5 11/16	7 5/16	1 1/16	1 1/2	2 7/8	3 7/8	5 7/8	5/8	3 1/8	8 3/8	9 15/16	4 7/16	5 1/2	2 3/4	4 1/2	6 5/16	8 1/4	9 1/16
40-160-7 1/2HP	1 1/2 x 2 1/2 x 5 15/16	2 1/2	4 9/16	5 11/16	7 5/16	1 1/16	1 1/2	2 7/8	3 7/8	5 7/8	5/8	3 1/8	10	11 1/2	5 3/16	6 5/16	2 3/4	4 5/8	7 1/2	9 7/16	9 1/16
40-160-1-10HP	1 1/2 x 2 1/2 x 6 9/16	2 1/2	4 9/16	5 11/16	7 5/16	1 1/16	1 1/2	2 7/8	3 7/8	5 7/8	5/8	3 1/8	10	11 1/2	5 3/16	6 5/16	2 3/4	4 5/8	7 1/2	9 7/16	9 1/16
40-200A-15HP	1 1/2 x 2 1/2 x 7 3/16	2 1/2	4 9/16	5 11/16	7 5/16	1 1/16	1 1/2	2 7/8	3 7/8	5 7/8	5/8	3 15/16	11 9/16	13 3/8	6 5/16	7 1/16	2 3/4	4 1/2	8 3/8	10 7/16	9 1/16
40-200B-15HP	1 1/2 x 2 1/2 x 7 7/8	2 1/2	4 9/16	5 11/16	7 5/16	1 1/16	1 1/2	2 7/8	3 7/8	5 7/8	5/8	3 15/16	11 9/16	13 3/8	6 5/16	7 1/16	2 3/4	4 1/2	8 3/8	10 7/16	9 1/16
50-125-7 1/2HP	2 x 2 1/2 x 5 3/16	2 1/2	4 9/16	5 11/16	7 5/16	1 1/16	2	3 3/4	4 15/16	6 1/2	11/16	3 15/16	10	11 1/2	5 3/16	6 5/16	2 3/4	4 1/2	7 1/2	9 7/16	9 1/16
50-125-10HP	2 x 2 1/2 x 5 1/2	2 1/2	4 9/16	5 11/16	7 5/16	1 1/16	2	3 3/4	4 15/16	6 1/2	11/16	3 15/16	10	11 1/2	5 3/16	6 5/16	2 3/4	4 1/2	7 1/2	9 7/16	9 1/16
50-160-10HP	2 x 2 1/2 x 6 3/16	2 1/2	4 9/16	5 11/16	7 5/16	1 1/16	2	3 3/4	4 15/16	6 1/2	11/16	3 15/16	11 11/16	13 3/8	6 5/16	7 1/16	2 3/4	4 1/2	8 3/8	10 7/16	9 1/16
50-160-1-15HP	2 x 2 1/2 x 6 9/16	2 1/2	4 9/16	5 11/16	7 5/16	1 1/16	2	3 3/4	4 15/16	6 1/2	11/16	3 15/16	11 11/16	13 3/8	6 5/16	7 1/16	2 3/4	4 1/2	8 3/8	10 7/16	9 1/16

## Model 3U

## EBARA Stainless Steel Centrifugal Pumps

### Pump Dimensions

#### 3U 2-Pole Motor



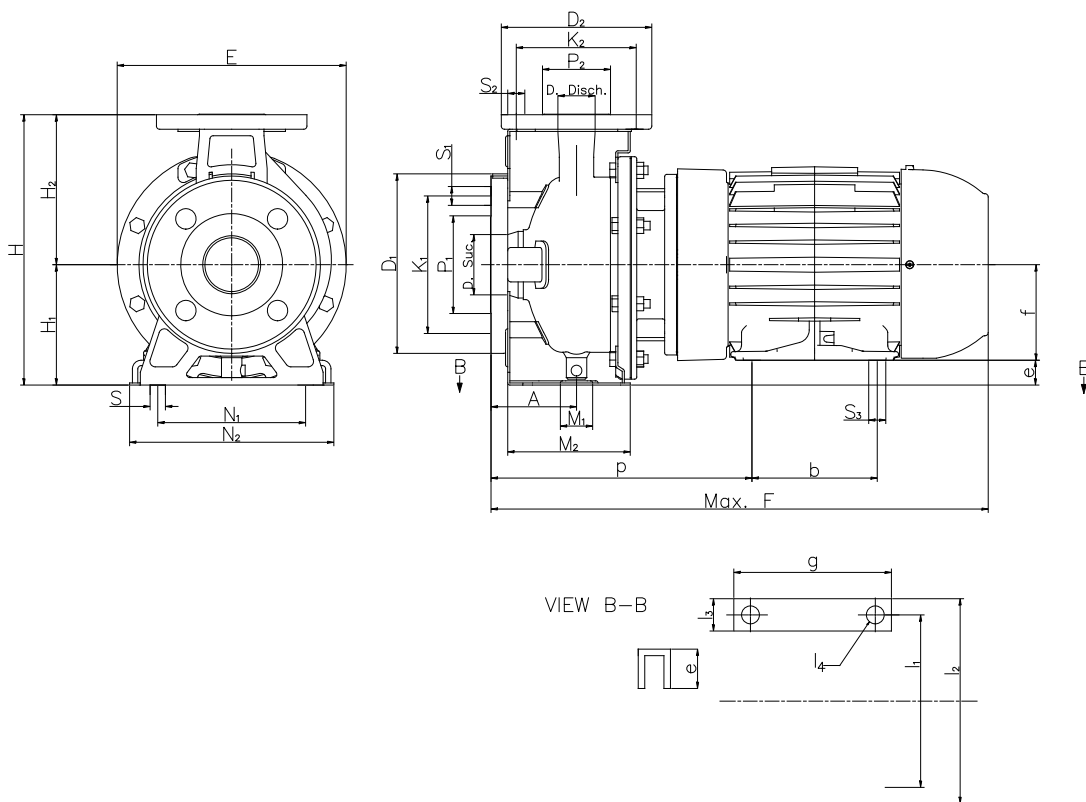
Model	JM Frame	Motor									
		b	e	f	g	l <sub>1</sub>	l <sub>2</sub>	l <sub>3</sub>	P	S <sub>3</sub>	F
32-125	145JM	5	15/16	3 1/2	5 15/16	5 1/2	6 1/2	1	6 9/16	11/32	18 15/16
	182JM	4 1/2	-1/16	4 1/2	6 1/2	7 1/2	8 1/2	1	7 3/16	13/32	19 3/16
32-160 <sup>5/8</sup>	182JM	4 1/2	11/16	4 1/2	6 1/2	7 1/2	8 1/2	1	7 3/16	13/32	19 3/16
	184JM	5 1/2	11/16	4 1/2	6 1/2	7 1/2	8 1/2	1	7 3/16	13/32	20 5/8
32-200	184JM	5 1/2	1 13/16	4 1/2	6 1/2	7 1/2	8 1/2	1	7 3/16	13/32	22 1/8
	213JM	5 1/2	1 1/16	5 1/4	8	8 1/2	9 1/2	1	8 3/16	13/32	20 3/4
	215JM	7	1 1/16	5 1/4	8	8 1/2	9 1/2	1	8 3/16	13/32	21 7/8
40-125 <sup>5/8</sup>	182JM	4 1/2	-1/16	4 1/2	6 1/2	7 1/2	8 1/2	1	7 3/16	13/32	19 3/16
	184JM	5 1/2	-1/16	4 1/2	6 1/2	7 1/2	8 1/2	1	7 3/16	13/32	20 3/4
40-160	184JM	5 1/2	11/16	4 1/2	6 1/2	7 1/2	8 1/2	1	7 3/16	13/32	22 1/8
	213JM	5 1/2	-1/16	5 1/4	8	8 1/2	9 1/2	1	8 3/16	13/32	20 3/4
	215JM	7	-1/16	5 1/4	8	8 1/2	9 1/2	1	8 3/16	13/32	21 7/8
40-200	215JM	7	1 1/16	5 1/4	8	8 1/2	9 1/2	1	8 3/16	13/32	22 11/16
50-125	184JM	5 1/2	11/16	4 1/2	6 1/2	7 1/2	8 1/2	1	7 3/16	13/32	22 15/16
	213JM	5 1/2	-1/16	5 1/4	8	8 1/2	9 1/2	1	8 3/16	13/32	21 9/16
	215JM	7	-1/16	5 1/4	8	8 1/2	9 1/2	1	8 3/16	13/32	22 11/16
50-160	213JM	5 1/2	1 1/16	5 1/4	8	8 1/2	9 1/2	1	8 3/16	13/32	21 9/16
	215JM	7	1 1/16	5 1/4	8	8 1/2	9 1/2	1	8 3/16	13/32	22 11/16

#### Remarks:

1. "e" dimensions (-) means H<sub>i</sub><f.  
In this case, need distance piece under the pump.
2. "F" dimension indicate maximum dimension.



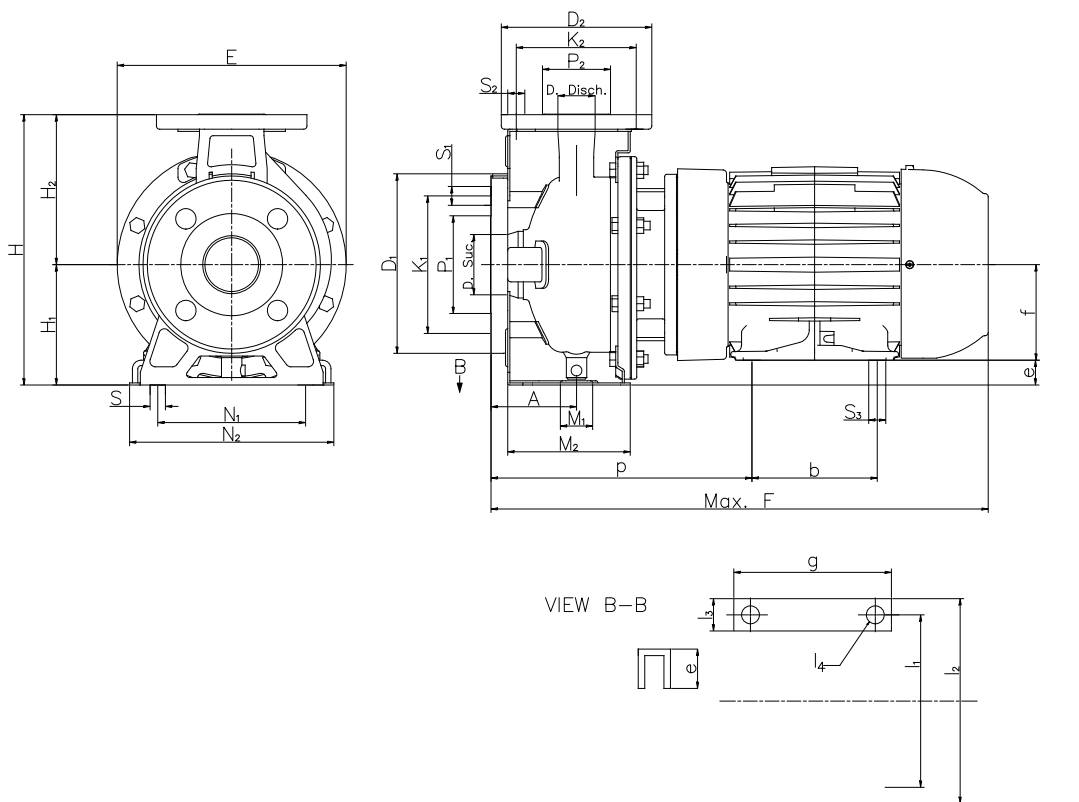
### Pump Dimensions



### 3U 4-Pole TEFC Motor

Model	HP	Phase	JM Frame	b	e	f	g	I1	I2	I3	I4	P	S3	F
32-200	1	3	143JM	5	2 13/16	3 1/2	5 15/16	5 1/2	7 1/2	1 3/4	5/16	9 11/16	3/8	19 13/16
	1	1	145JM	5	2 13/16	3 1/2	5 15/16	5 1/2	7 1/2	1 3/4	5/16	9 11/16	3/8	19 13/16
	1.5	3	145JM	5	2 13/16	3 1/2	5 15/16	5 1/2	7 1/2	1 3/4	5/16	9 11/16	3/8	19 5/8
	1.5	1	145JM	5	2 13/16	3 1/2	5 15/16	5 1/2	7 1/2	1 3/4	5/16	10 1/8	3/8	20 13/16
40-160	2	3	145JM	5	2 13/16	3 1/2	5 15/16	5 1/2	7 1/2	1 3/4	5/16	10 1/8	3/8	19 1/16
	1	1	145JM	5	2 13/16	3 1/2	5 15/16	5 1/2	7 1/2	1 3/4	5/16	7 9/16	3/8	19 13/16
	1	3	143JM	5	1 11/16	3 1/2	5 15/16	5 1/2	7 1/2	1 3/4	5/16	7 1/2	3/8	19 3/4
40-200A/B	1.5	3	145JM	5	1 3/4	3 1/2	5 15/16	5 1/2	7 1/2	1 3/4	5/16	10 1/8	3/8	18 11/16
	1.5	3	145JM	5	2 13/16	3 1/2	5 15/16	5 1/2	7 1/2	1 3/4	5/16	7 1/2	3/8	18 3/4
50-125	2	3	145JM	5	2 13/16	3 1/2	5 15/16	5 1/2	7 1/2	1 3/4	5/16	7 1/2	3/8	18 3/4
	1	3	143JM	5	1 11/16	3 1/2	5 15/16	5 1/2	7 1/2	1 3/4	5/16	7 1/2	3/8	19 5/8
	1.5	3	145JM	5	1 11/16	3 1/2	5 15/16	5 1/2	7 1/2	1 3/4	5/16	10 7/8	3/8	19 1/2
50-160	2	3	145JM	5	1 11/16	3 1/2	5 15/16	5 1/2	7 1/2	1 3/4	5/16	10 7/8	3/8	19 7/8
	1.5	1	145JM	5	2 13/16	3 1/2	5 15/16	5 1/2	7 1/2	1 3/4	5/16	10 1/2	3/8	20 13/16
	1.5	3	145JM	5	2 13/16	3 1/2	5 15/16	5 1/2	7 1/2	1 3/4	5/16	10 1/2	3/8	19 5/8
	2	3	145JM	5	2 13/16	3 1/2	5 15/16	5 1/2	7 1/2	1 3/4	5/16	10 1/2	3/8	19 5/8

### Pump Dimensions



### 3U 4-Pole ODP Motor

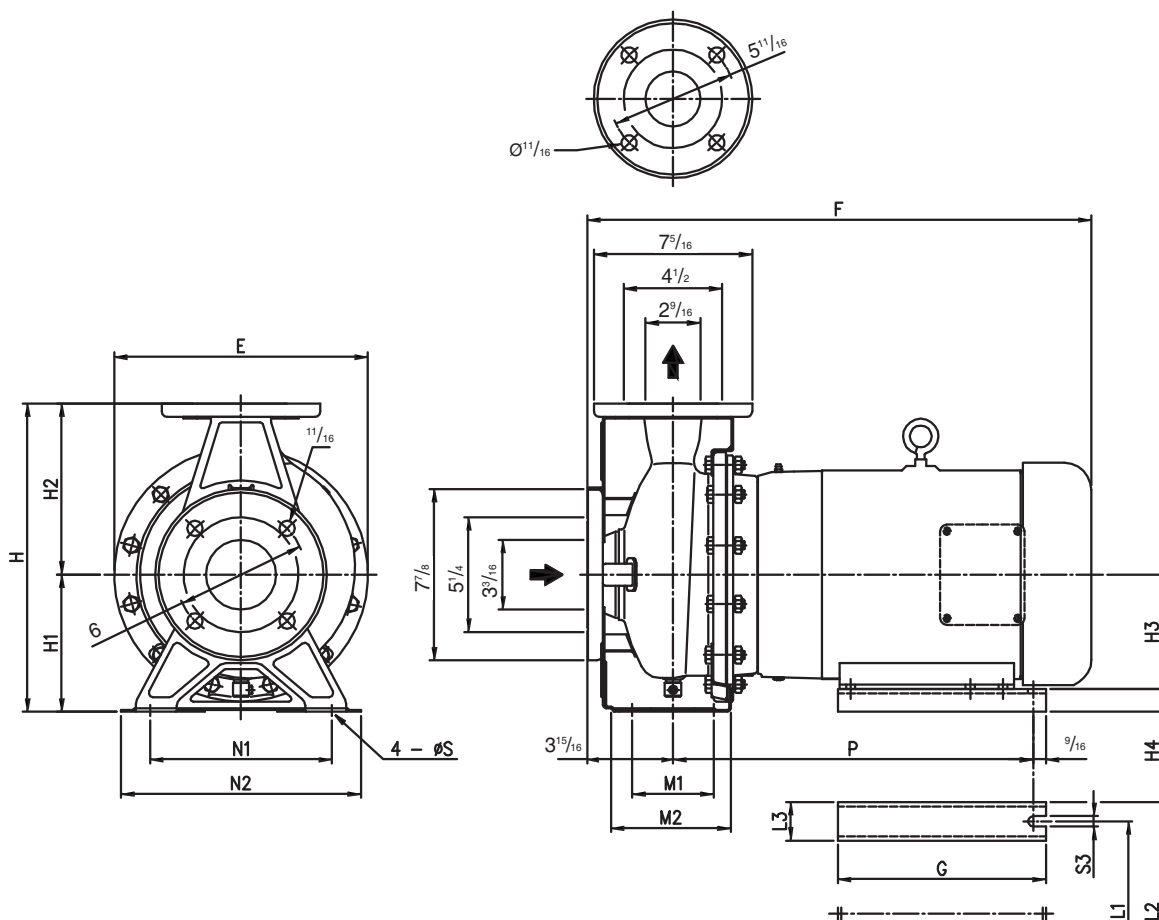
Model	HP	Phase	JM Frame	b	e	f	g	l1	l2	l3	l4	P	S3	F
32-200	1	3	143JM	5	2 13/16	3 1/2	5 15/16	5 1/2	7 1/2	1 3/4	5/16	7 9/16	3/8	18 15/16
	1.5	3	145JM	5	2 13/16	3 1/2	5 15/16	5 1/2	7 1/2	1 3/4	5/16	7 9/16	3/8	18 15/16
	2	3	145JM	5	2 13/16	3 1/2	5 15/16	5 1/2	7 1/2	1 3/4	5/16	10 1/8	3/8	17 7/16
40-160	1	3	143JM	5	1 11/16	3 1/2	5 15/16	5 1/2	7 1/2	1 3/4	5/16	7 1/2	3/8	18 7/8
	1.5	3	145JM	5	1 11/16	3 1/2	5 15/16	5 1/2	7 1/2	1 3/4	5/16	10 1/8	3/8	17 7/16
40-200A/B	1.5	3	145JM	5	2 13/16	3 1/2	5 15/16	5 1/2	7 1/2	1 3/4	5/16	7 3/8	3/8	19 5/8
	2	3	145JM	5	2 13/16	3 1/2	5 15/16	5 1/2	7 1/2	1 3/4	5/16	7 3/8	3/8	19 5/8
50-125	1	3	143JM	5	1 11/16	3 1/2	5 15/16	5 1/2	7 1/2	1 3/4	5/16	7 3/8	3/8	18 3/4
	1.5	3	145JM	5	1 11/16	3 1/2	5 15/16	5 1/2	7 1/2	1 3/4	5/16	10 7/8	3/8	18 1/4
	2	3	145JM	5	1 11/16	3 1/2	5 15/16	5 1/2	7 1/2	1 3/4	5/16	10 7/8	3/8	18 1/4
50-160	1.5	3	145JM	5	2 13/16	3 1/2	5 15/16	5 1/2	7 1/2	1 3/4	5/16	10 1/2	3/8	17 1/8
	2	3	145JM	5	2 13/16	3 1/2	5 15/16	5 1/2	7 1/2	1 3/4	5/16	10 1/2	3/8	17 1/8

## Model 3UB

## EBARA Stainless Steel Centrifugal Pumps

### Dimensions

### 3UB Type 1



### Dimensions: inch

MODEL	SIZE	TYPE	E	F	G	H	H <sub>1</sub>	H <sub>2</sub>	H <sub>3</sub>	H <sub>4</sub>	L <sub>1</sub>	L <sub>2</sub>	L <sub>3</sub>	M <sub>1</sub>	M <sub>2</sub>	N <sub>1</sub>	N <sub>2</sub>	P	S	S <sub>3</sub>
3U 65-125/7.5	2 1/2 x 3 x 4 7/8	1	10	23 3/16	9 9/16	13 3/8	6 15/16	7 1/16	5 1/4	1 1/16	8 1/2	10 1/4	1 3/4	3 3/4	5 1/2	8 3/8	11	16 9/16	9/16	1/2
3U 65-125/10	2 1/2 x 3 x 5 5/16	1	10	23 3/16	9 9/16	13 3/8	6 15/16	7 1/16	5 1/4	1 1/16	8 1/2	10 1/4	1 3/4	3 3/4	5 1/2	8 3/8	11	16 9/16	9/16	1/2
3U 65-125/15	2 1/2 x 3 x 5 7/8	1	10	30 15/16	9 9/16	13 3/8	6 15/16	7 1/16	5 1/4	1 1/16	8 1/2	10 1/4	1 3/4	3 3/4	5 1/2	8 3/8	11	16 7/8	9/16	1/2
3U 65-160/10	2 1/2 x 3 x 5 3/8	1	11 5/8	23 3/16	9 9/16	14 3/16	6 15/16	7 7/8	5 1/4	1 1/16	8 1/2	10 1/4	1 3/4	3 3/4	5 1/2	8 3/8	11	16 9/16	9/16	1/2
3U 65-160/15	2 1/2 x 3 x 5 7/8	1	11 5/8	23 3/16	9 9/16	14 3/16	6 15/16	7 7/8	5 1/4	1 1/16	8 1/2	10 1/4	1 3/4	3 3/4	5 1/2	8 3/8	11	16 9/16	9/16	1/2

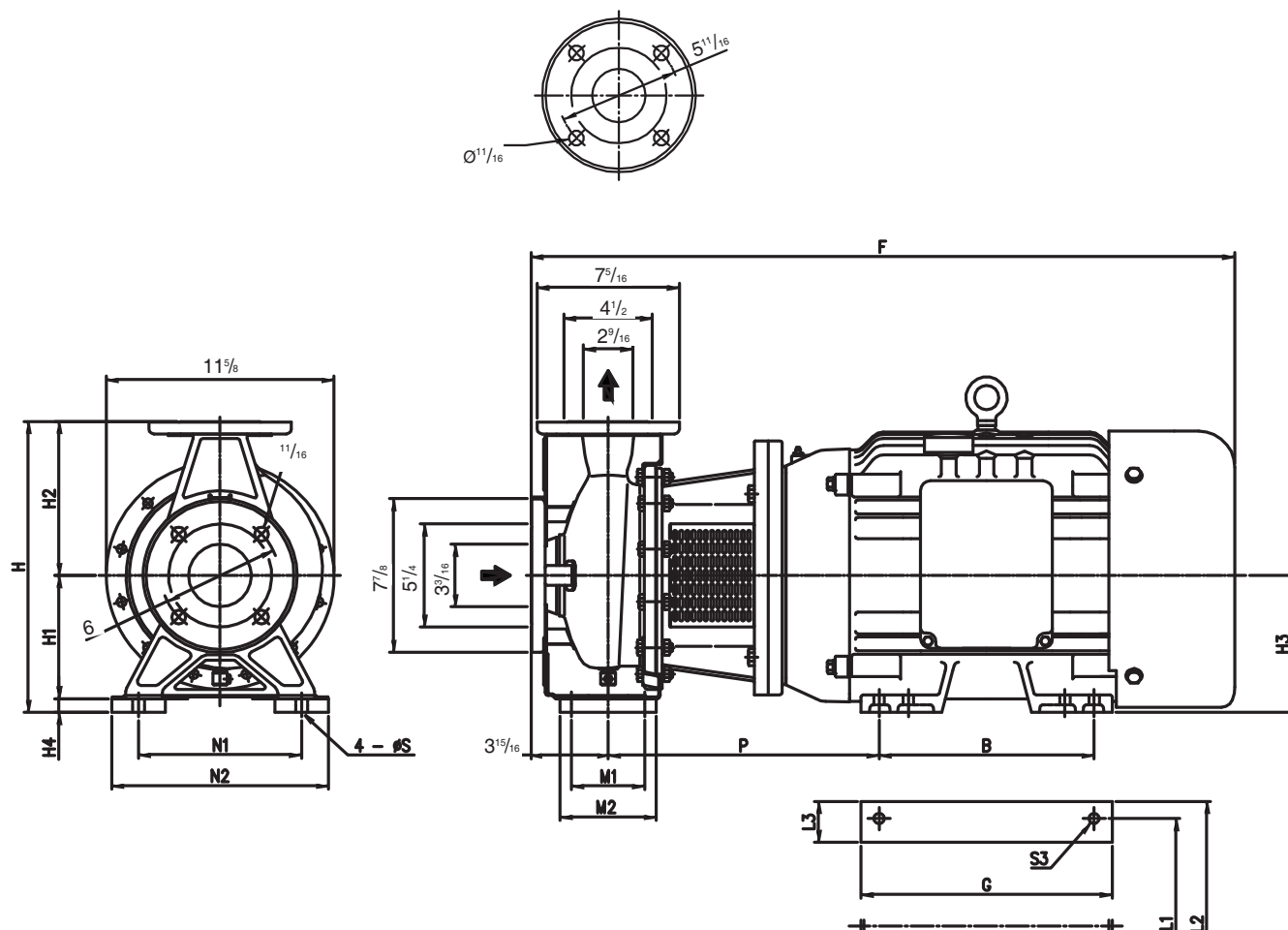


## Model 3UB

## EBARA Stainless Steel Centrifugal Pumps

### Dimensions

### 3UB Type 3



### Dimensions: inch

MODEL	SIZE	TYPE	B	F	G	H	H <sub>1</sub>	H <sub>2</sub>	H <sub>3</sub>	H <sub>4</sub>	L <sub>1</sub>	L <sub>2</sub>	L <sub>3</sub>	M <sub>1</sub>	M <sub>2</sub>	N <sub>1</sub>	N <sub>2</sub>	P	S	S <sub>3</sub>
3U 65-125/20	2 1/2 x 3 x 8 7/8	3	10	33 11/16	11 3/4	13 7/16	6 5/16	7 1/8	6 1/4	1/16	10	11 7/16	1 3/8	3 3/4	5 3/16	8 3/8	11 1/16	16 7/8	9/16	9/16
3U 65-160/20	2 1/2 x 3 x 5 5/16	3	11	33 1/2	11 3/4	14 3/16	6 5/16	7 7/8	6 1/4	1/16	10	11 7/16	1 3/8	3 3/4	5 3/16	8 3/8	11 1/2	13 5/16	9/16	9/16
3U 65-160/25	2 1/2 x 3 x 6 7/8	3	11	36	12 13/16	14 7/8	6 5/16	7 7/8	7	11/16	11	12 3/4	-	3 3/4	4 15/16	8 3/8	11 1/8	13 7/8	9/16	9/16
3U 65-200/20	2 1/2 x 3 x 6 3/4	3	10	32 3/8	13 9/16	15 5/16	7 1/16	8 7/8	6 1/4	13/16	10	12 3/8	2 3/8	3 3/4	5 1/2	9 13/16	12 5/8	13 13/16	9/16	9/16
3U 65-200/25	2 1/2 x 3 x 7 1/16	3	11	36	13	15 5/16	7 1/16	8 7/8	7	1/16	11	12 15/16	1 15/16	3 3/4	5 1/2	9 13/16	12 5/8	13 7/8	9/16	9/16
3U 65-200/30	2 1/2 x 3 x 7 1/2	3	11	36	13	15 5/16	7 1/16	8 7/8	7	1/16	11	12 15/16	1 15/16	3 3/4	5 1/2	9 13/16	12 5/8	13 7/8	9/16	9/16

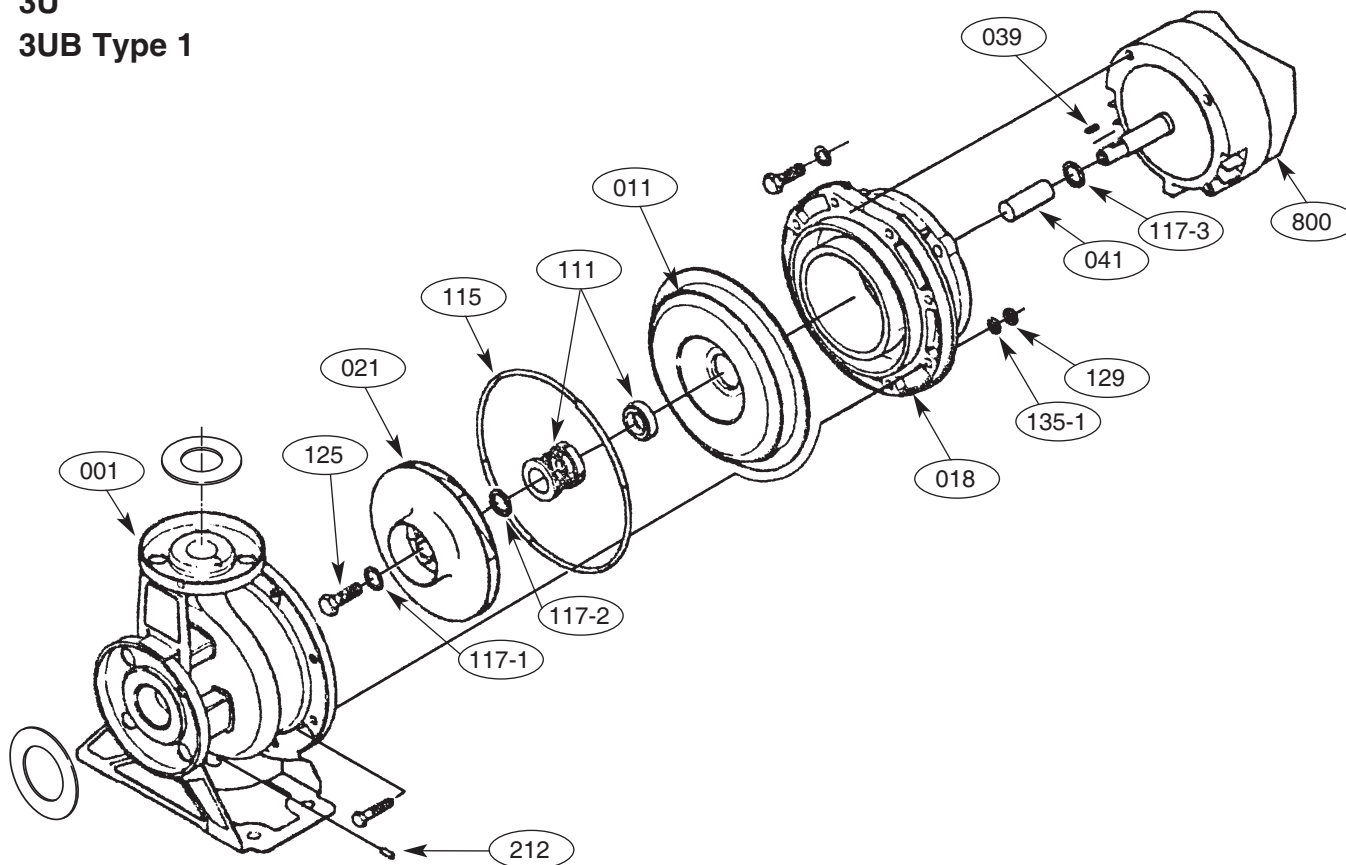




### Exploded View

3U

3UB Type 1



Part No.	Part Name	Material	No. for 1 Unit
001	Casing	304L Stainless	1
011	Casing cover	304L Stainless	1
018	Bracket	Cast Iron	1
021	Impeller (3U)	304L Stainless	1
021	Impeller (3UB)	Bronze	1
039	Key	304L Stainless	1
041	Shaft sleeve	304L Stainless	1
111	Mechanical seal	-	1
115	O-Ring	Viton	1
117-1	Gasket	Nylon	1
117-2	Gasket	Nylon	1
117-3	Gasket	Nylon	1
125	Impeller Bolt	304L Stainless	1
160	Motor support (not shown)	Steel	1 set
212	Plug	304L Stainless	1
800	Motor	-	1
	Suction Flange Gasket	Viton	1
	Discharge Flange Gasket	Viton	1



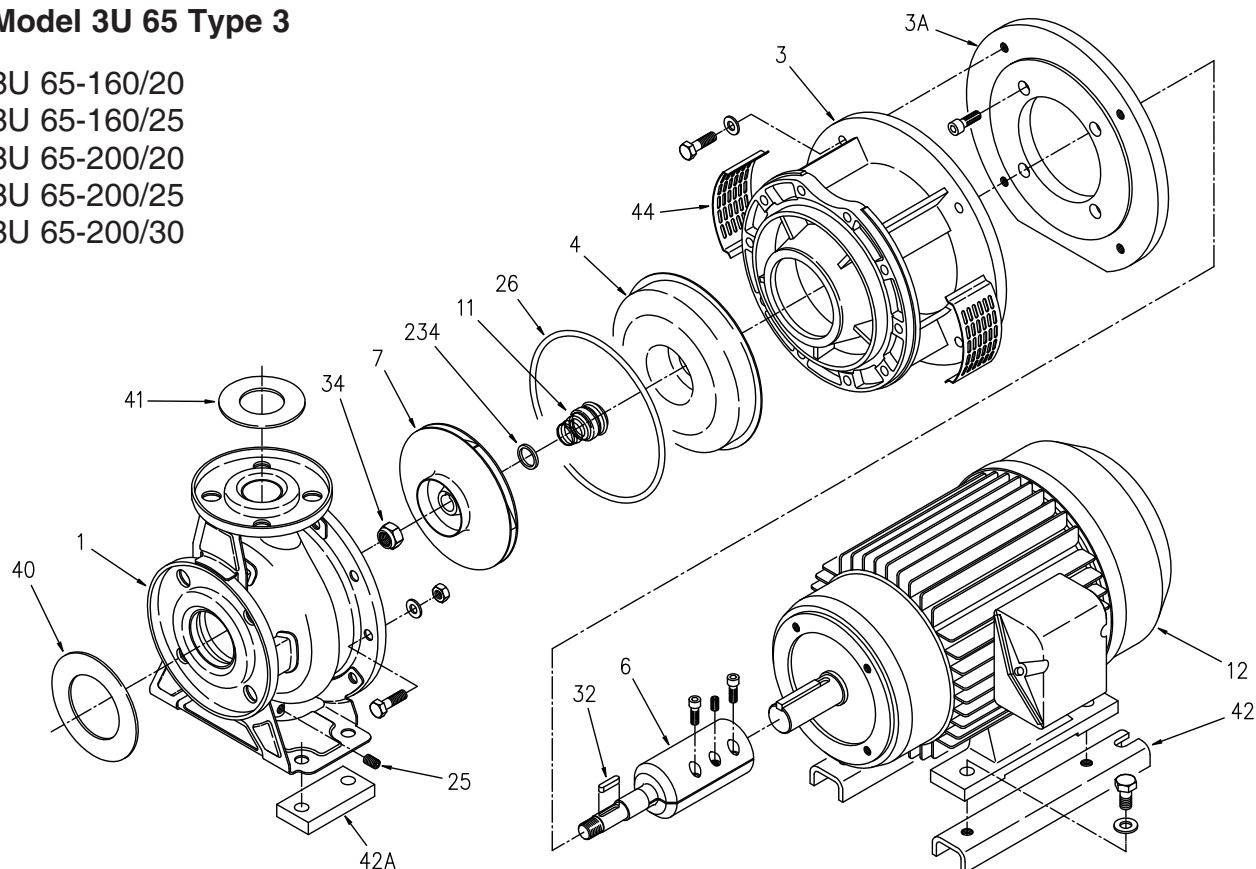
## Model 3UB

## EBARA Stainless Steel Centrifugal Pumps

### Exploded view

### Model 3U 65 Type 3

3U 65-160/20  
 3U 65-160/25  
 3U 65-200/20  
 3U 65-200/25  
 3U 65-200/30



Part No.	Part Name	Material	No. for 1 Unit
001	Casing	304L Stainless	1
003	Motor bracket	Cast iron	1
003A	Adapter ring	Cast iron	1
004	Casing cover	304L Stainless	1
006	Coupling	304L Stainless	1
007	Impeller (3U65)	316 Stainless	1
007	Impeller (3UB65)	Bronze	1
011	Mechanical seal		1
012	Motor		1
025	Drain plug	304L Stainless	1
026	O-ring	Viton	1
032	Key	304L Stainless	1
034	Impeller nut	Stainless / Nylon	2
040	Flange Gasket	EPDM	2
041	Flange Gasket	EPDM	2
042	Motor support	Steel	2
042A	Casing support (65-160 25HP only)	Steel	2
044	Coupling guard	Stainless Steel	1
234	Lip seal	304L Stainless	

