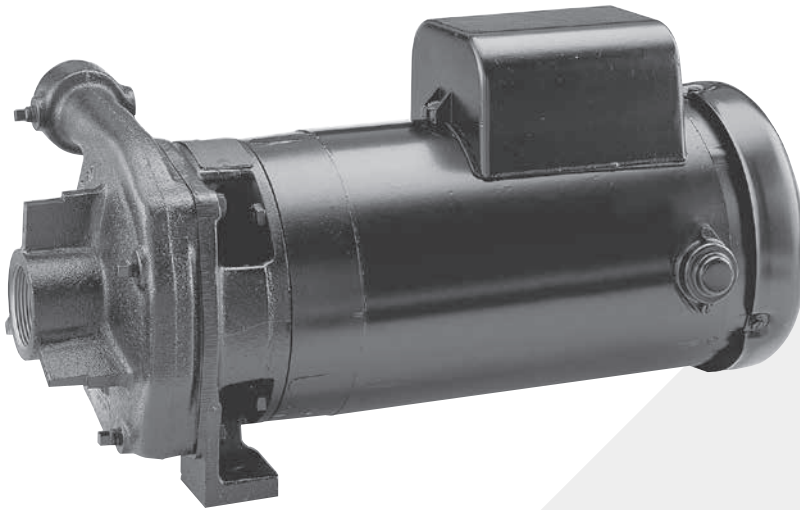


BERKELEY® Type C Straight Centrifugal



The Type C Pump is a compact, horizontal, single stage, centrifugal pump close-coupled to an electric motor. The removal of readily accessible bolts (back pull-out construction), permits the removal of the pumping element, exposing the impeller and seal for inspection, without disturbing the piping.

APPLICATIONS

General farm or home irrigation, air conditioning, and refrigeration

SPECIFICATIONS

Body and Base – Gray cast iron
Bracket – Cast iron
Impeller – Silicon bronze
Shaft – Threaded stainless steel

FEATURES

Flow Rates – In excess of 160 U.S. gallons per minute.

Operating Pressure – 100 PSI

Discharge sizes – 1-1/4" - 2"

Temperature – Up to 200 F.

Volute Case – Precision machined gray cast iron with NPT tapped openings for suction and discharge. Standard discharge position is horizontal, as pictured. Volute may be rotated for vertical-up discharge.

Impeller – Enclosed multi-vane silicon bronze impeller is balanced to eliminate vibration and provide smooth, quiet operation. Impeller is threaded on motor shaft for positive alignment.

Shaft Seal – Self-adjusting, water-cooled, mechanical shaft seal prevents leakage and eliminates need for drain piping. Run-in and periodic adjustment is not required.

Motor Shaft – Stainless steel shaft is threaded for direct mounting of impeller. A short shaft extension to the impeller increases shaft rigidity and extends bearing life.

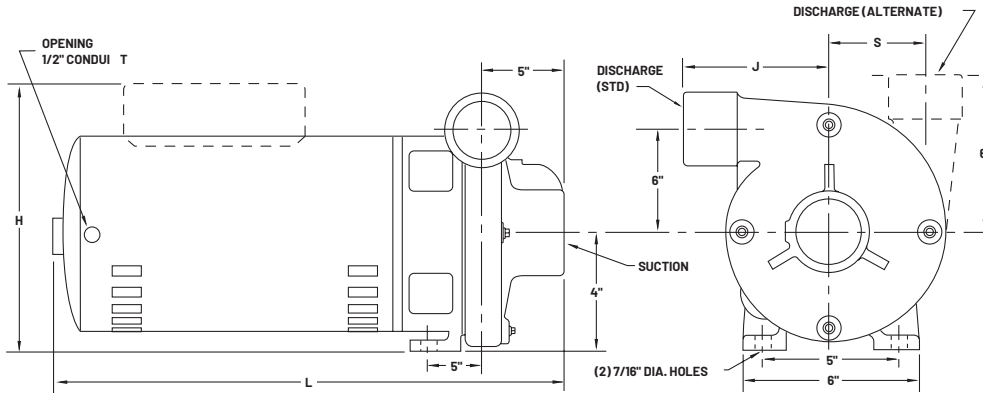
Motor – Heavy-duty, 3 HP, flange-mounted motor designed for continuous 3600 RPM operation. Two ball bearings are permanently lubricated, eliminating the need for re-lubrication service. Open, drip-proof enclosures are standard. All models can be furnished with either single-phase (230V) or three-phase (230/460) motors. Totally enclosed fan-cooled motor is available for three-phase power.

ORDERING INFORMATION

Model Number	HP	Catalog Number	Phase	Volts	Suct.	Disch.	Approx. Wt. Lbs.
C1-1/4TPMS	3	B53602S	1	230	1-1/2"	1-1/4"	65
		B53603S	3	208/230/460			
		B53603SMS2	3	575			
C1-1/2TPMS	3	B59212S	1	230	2"	1-1/2"	61
		B59213S	3	208/230/460			
C2MPS	3	B53616S	1	230	2-1/2"	2"	61
		B53617S	3	208/230/460			
		B53617SMS2	3	575			

BERKELEY® Type C Straight Centrifugal

OUTLINE DIMENSIONS

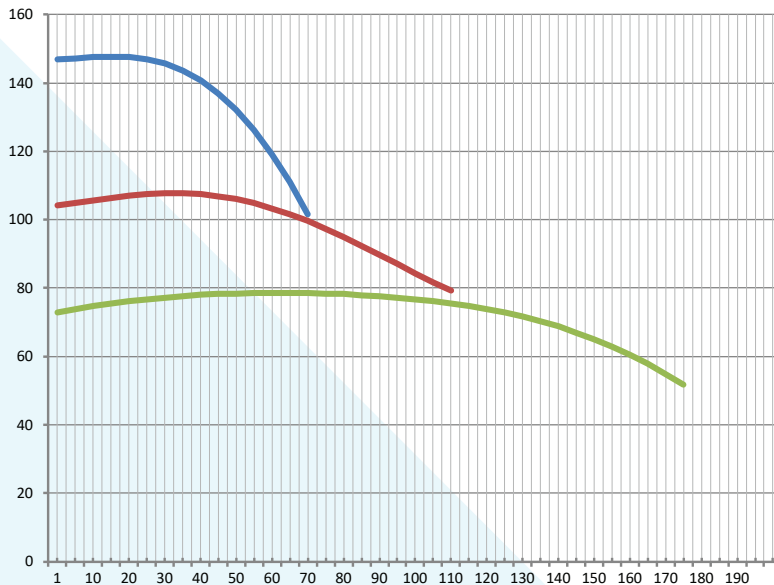


Dimensions (in inches) are for estimating purposes only.

DIMENSIONAL DATA

Model Number	HP	Suction (NPT)	Discharge Phase	H*	J	K	L*	S	M
C1-1/4TPMS	3	1-1/2	1-1/4	9-1/4	5	2-1/2	16-15/16	3-5/16	1-7/8
C1-1/2TPHS	3	2	1-1/2	8-1/4	5	2-11/16	17-1/4	3-1/2	2
C2MPS	3	2-1/2	2	9-1/4	4-7/8	2-5/16	17-1/4	3-1/16	2-7/16

PUMP PERFORMANCE



— C1-1/4TPMS
— C1-1/2TPHS
— C2MPS

Basic	Imp Dia	PEIcl
C1-1/4TM	5.94	0.70
C1-1/2TH	4.88	0.83
C2M	4.50	0.89

This product as sold in U.S. is regulated by 10 CFR Parts 429 and 431.



US: 293 WRIGHT STREET, DELAVAN, WI 53115 WWW.BERKELEYPUMPS.COM PH: 888-782-7483 ORDERS FAX: 800-426-9446
CANADA: 490 PINEBUSH ROAD, UNIT 4, CAMBRIDGE, ONTARIO N1T 0A5 PH: 800-363-7867 ORDERS FAX: 888-606-5484
Because we are continuously improving our products and services, Pentair reserves the right to change specifications without prior notice.