

CENTRIFUGAL PUMPS

SELF-PRIMING FBSEF (1½–7½ HP)

FPS

FEATURES

- Volute: Rugged cast iron construction with a large chamber for rapid self priming
- Impeller: Semi-open cast iron ideal for handling fertilizer, salt water, dirty water, or other liquids; blind-hole tapped so liquid will not corrode the shaft
- Mechanical Seal: Carbon/ceramic faces; FKM elastomers; 300-series stainless steel components
- Motor: Reliable, industry-standard; totally-enclosed; fan-cooled TEFC enclosure



SPECIFICATIONS

- Capacities to 295 gpm
- Heads to 92 feet
- 75 psi maximum working pressure
- 212 °F maximum temperature
- Clockwise rotation when viewed from motor end
- NPT pipe connections

APPLICATIONS

- Irrigation
- Construction
- Mining
- Commercial
- Municipal
- Light Industrial
- Residential

CENTRIFUGAL PUMPS

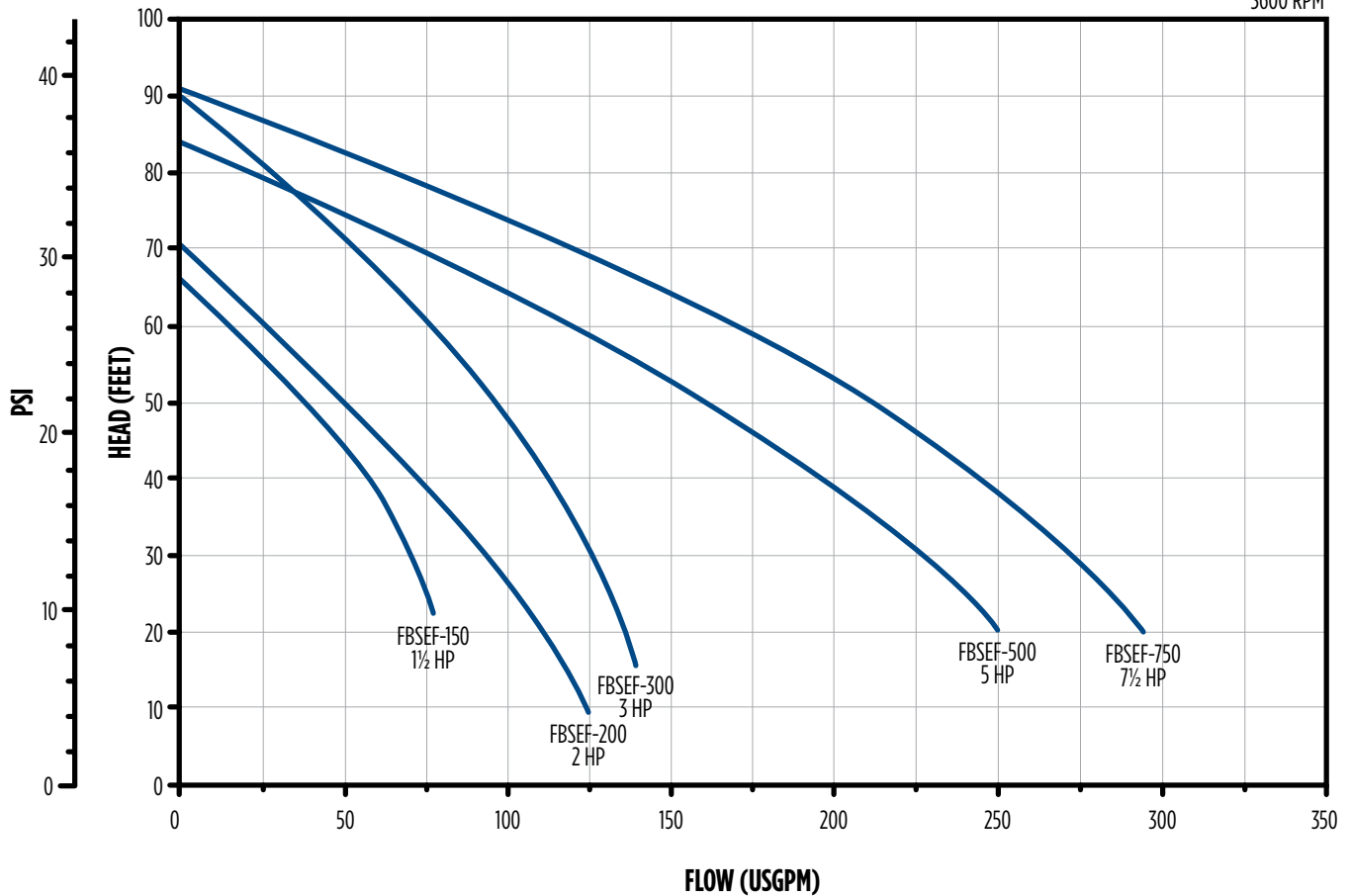
SELF-PRIMING FBSEF (1½-7½ HP)



PERFORMANCE

FBSEF

3600 RPM



ORDERING INFORMATION

FBSEF

Pump Series	RPM	Motor Enclosure	PH	HP	Volts	Motor Frame	Model	Order No.	Weight (lbs)
FBSEF	3600	TEFC	1	1.5	115/230	56J	FBSEF-150-SE	92932015	52
				2	230	56J	FBSEF-200-SE	92932020	60
				3	230	56J	FBSEF-300-SE	92932030	71
				5	230	184JM	FBSEF-500-SE	92932050	153
				7.5	230	184JM	FBSEF-750-SE	92932075	161
			3	1.5	230/460	56J	FBSEF-150-TE	92934015	66
				2	230/460	56J	FBSEF-200-TE	92934020	74
				3	230/460	56J	FBSEF-300-TE	92934030	83
				5	230/460	184JM	FBSEF-500-TE	92934050	139
				7.5	230/460	184JM	FBSEF-750-TE	92934075	161
				575	184JM	FBSEF-500-T5E	92934051	139	
				575	184JM	FBSEF-750-T5E	92934076	161	

CENTRIFUGAL PUMPS

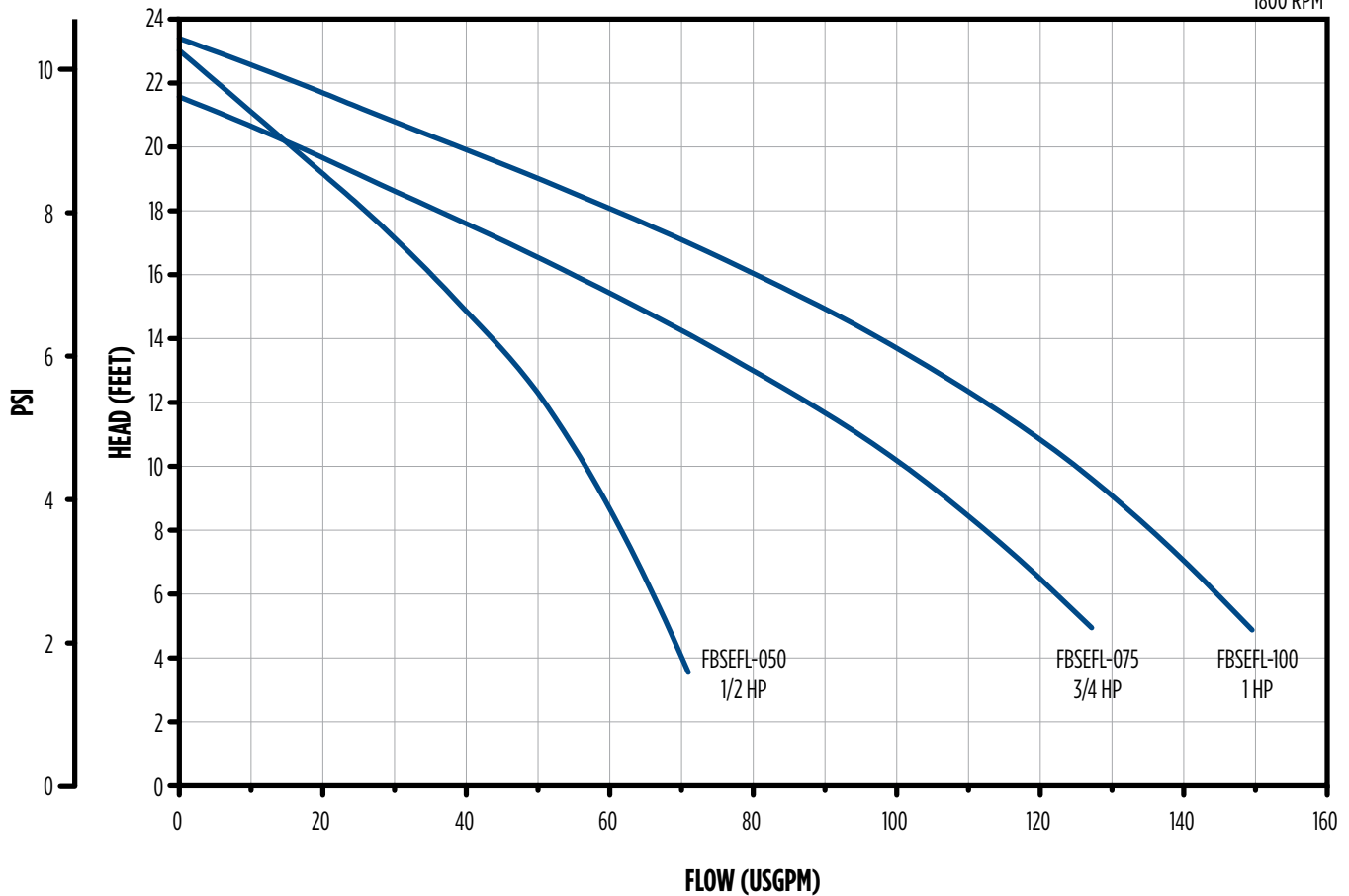
SELF-PRIMING FBSEF (1½-7½ HP)



PERFORMANCE

FBSEFL

1800 RPM



ORDERING INFORMATION

FBSEFL

Pump Series	RPM	Motor Enclosure	PH	HP	Volts	Motor Frame	Model	Order No.	Weight (lbs)
FBSEFL	1800	TEFC	1	1/2	115/230	56J	FBSEFL-050-SE	92932005	60
			3	1/2	230/460	56J	FBSEFL-050-TE	92934005	64
				3/4	230/460	143JM	FBSEFL-075-TE	92934007	100
				1	230/460	143JM	FBSEFL-100-TE	92934010	100

CENTRIFUGAL PUMPS

SELF-PRIMING FBSEF (1½–7½ HP)



MOTOR SPECIFICATIONS

3600 RPM TEFC

HP	Phase	Frame	SF	Volts	Max or SF Amps	Order No.
1.5	1	56J	1.0	115/230	16/8	204187
2			1.0	115/230	23/11.5	204218
3		1.15	230	13.8	204219	
5		184JM	1.0	230	19.5	104220002
1.5	3	56J	1.3	230/460	4.8/2.4	104245202
2			1.2	230/460	5.8/2.9	104245203
3			1.15	230/460	8.2/4.1	104245201
5		184JM	1.15	230/460	13.4/6.7	104238204
5			1.15	575	5.4	104224202
7.5			1.15	230/460	19.4/9.7	104238206
7.5			1.15	575	7.8	104224213

MOTOR SPECIFICATIONS

1800 RPM TEFC

HP	Phase	Frame	SF	Volts	Max or SF Amps	Order No.
0.5	1	56J	1.25	115/230	8.2/4.1	104255203
0.5	3	56J	1.25	230/460	2.4/1.2	104255204
1*	3	143JM	1.15	230/460	3.4/1.7	104228218

* 1 HP motor is used on FBSEFL-075-TE

PUMP END KITS

Pump Series	HP	RPM	Motor Frame	AKF Kit	Shaft	Suc. x Dis. NPT	Impeller Diameter	Max Solids	Order No.	Pump End Kit	Weight (lbs)
FBSEF	1.5	3600	56J	4.5	7/16-20 Th'd	1.25" x 1.25"	4.0"	.33"	92920015	FBSEF-150K	28
	2					2" x 2"	4.3"	.33"	92920020	FBSEF-200K	33
	3					2" x 2"	4.575"	.50"	92920030	FBSEF-300K	33
	5		184JM		7/8"	3" x 3"	5.0"	.625"	92920050	FBSEF-500K	60
	7.5				3" x 3"	5.0"	.625"	92920075	FBSEF-750K	60	
FBSEFL	0.5	1800	56J	4.5	7/16-20 Th'd	2" x 2"	4.575"	.50"	92920030	FBSEF-300K	33
	0.75		143JM		7/8"	3" x 3"	5.0"	.625"	92920050	FBSEF-500K	60
	1				3" x 3"	5.0"	.625"	92920075	FBSEF-750K	60	

CENTRIFUGAL PUMPS

SELF-PRIMING FBSEF (1½-7½ HP)



DIMENSIONS

FIGURE 1

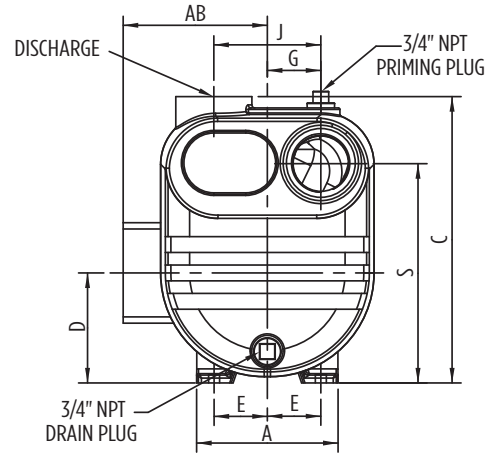
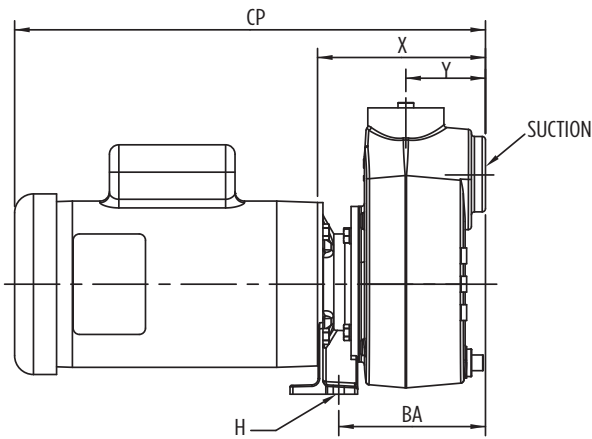


FIGURE 2

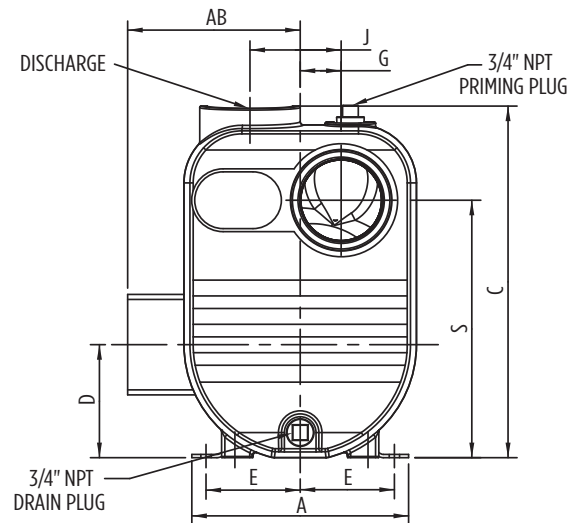
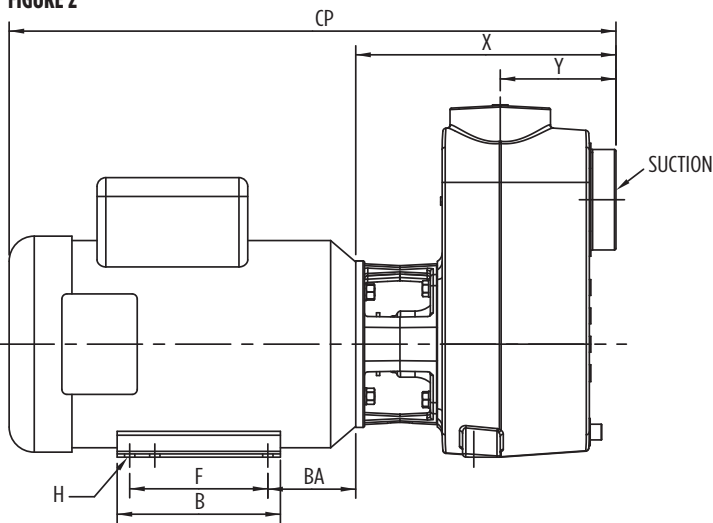


Fig.	Series	Model	Order No.	Pole	Discharge NPT	Suction NPT	A	B	D	E	F	H	AB	BA	CP	C	G	J	S	X	Y
1	FBSEF	FBSEF-150-SE	92932015	2	1-1/4"	1-1/4"	5.63	n/a	3.81	2.12	n/a	0.44	n/a	n/a	17.17	6.69	2.00	4.00	7.44	6.54	3.26
		FBSEF-150-TE	92934015				5.63	n/a	3.81	2.12	n/a	0.44	5.23	n/a	16.85	6.69	2.00	4.00	7.44	6.54	3.26
		FBSEF-200-SE	92932020				5.63	n/a	4.38	2.12	n/a	0.44	5.84	n/a	18.75	11.40	2.13	4.26	8.73	6.69	3.17
		FBSEF-200-TE	92934020				5.63	n/a	4.38	2.12	n/a	0.44	5.74	n/a	17.87	11.40	2.13	4.26	8.73	6.69	3.17
	FBSEFL	FBSEFL-300-SE	92932030	4	2"	2"	5.63	n/a	4.38	2.12	n/a	0.44	5.74	n/a	19.81	11.40	2.13	4.26	8.73	6.69	3.17
		FBSEFL-300-TE	92934030				5.63	n/a	4.38	2.12	n/a	0.44	5.74	n/a	18.75	11.40	2.13	4.26	8.73	6.69	3.17
		FBSEFL-050-SE	92932005				5.63	n/a	4.38	2.12	n/a	0.44	5.18	n/a	16.98	11.40	2.13	4.26	8.73	6.69	3.17
		FBSEFL-050-TE	92934005				5.63	n/a	4.38	2.12	n/a	0.44	5.19	n/a	15.97	11.40	2.13	4.26	8.73	6.69	3.17
2	FBSEF	FBSEF-500-SE	92932050	2	3"	3"	8.63	6.50	4.50	3.75	5.50	0.45	6.87	3.50	25.66	14.00	1.63	3.63	10.25	10.36	4.61
		FBSEF-500-TE	92934050				8.63	6.50	4.50	3.75	5.50	0.41	6.87	3.50	24.17	14.00	1.63	3.63	10.25	10.36	4.61
		FBSEF-500-TSE	92934051				8.63	6.50	4.50	3.75	5.50	0.41	6.87	3.50	24.17	14.00	1.63	3.63	10.25	10.36	4.61
		FBSEF-750-TE	92934075				8.63	6.50	4.50	3.75	5.50	0.41	6.87	3.50	25.67	14.00	1.63	3.63	10.25	10.36	4.61
	FBSEFL	FBSEFL-750-TSE	92934076	4	3"	3"	8.63	6.50	4.50	3.75	5.50	0.41	6.87	3.50	25.67	14.00	1.63	3.63	10.25	10.36	4.61
		FBSEFL-075-TE	92934007				6.50	5.94	3.50	2.75	5.00	0.34	5.73	2.88	21.51	14.00	1.63	3.63	10.25	10.36	4.61
		FBSEFL-100-TE	92934010				6.50	5.94	3.50	2.75	5.00	0.34	5.73	2.88	21.54	14.00	1.63	3.63	10.25	10.36	4.61

NOTE: Dimensions are for estimating purposes only. All dimensions in inches.

CENTRIFUGAL PUMPS

SELF-PRIMING FBSEF (1½–7½ HP)



MATERIALS AND PARTS

56J FRAME

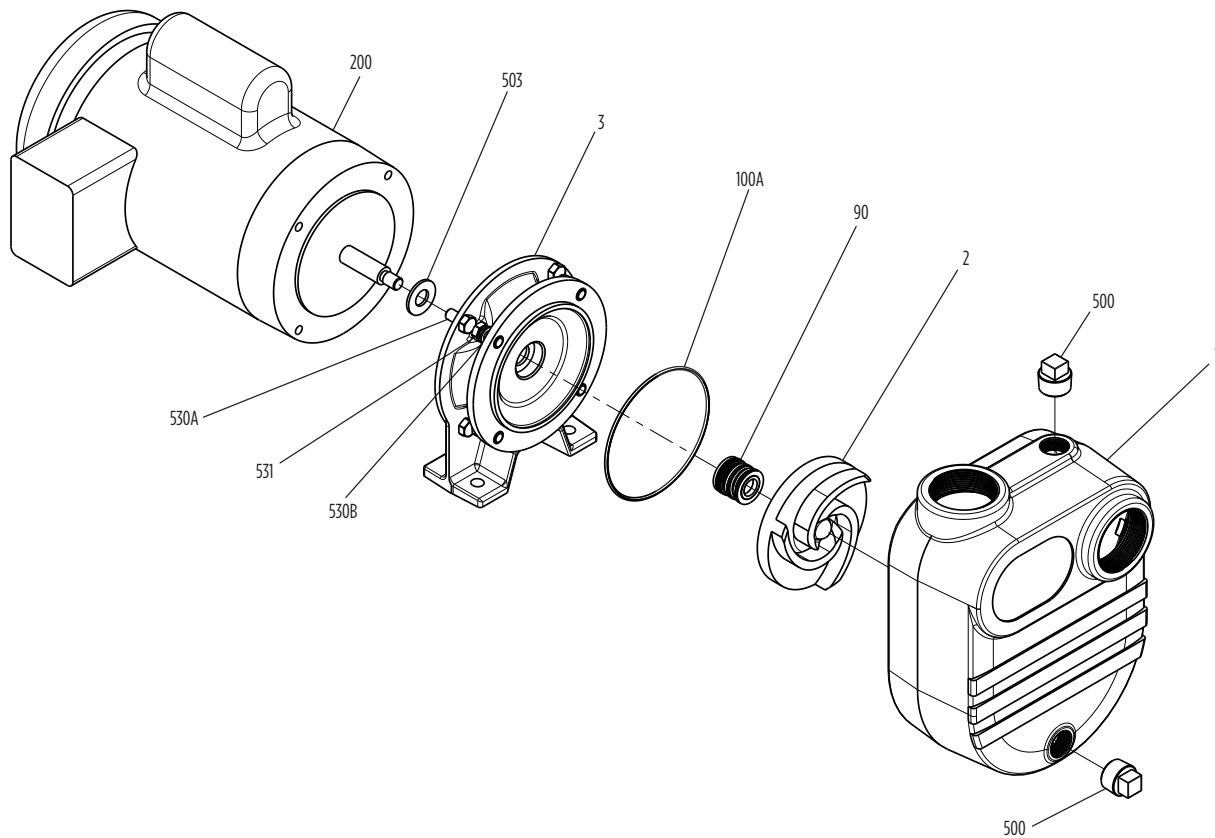


Fig. No.	Part Description	Part No.				Materials of Construction
		FBSEF-150	FBSEF-200	FBSEF-300	FBSEFL-050	
1	Pump Case	305715001		305460033		Cast Iron, ASTM-A48 CL30
2	Impeller	305453053	305715003		305715004	Cast Iron, ASTM-A48 CL30
3	Motor Adaptor	305715007		305715008		Cast Iron, ASTM-A48 CL30
90	Mechanical Shaft Seal		305463029			Carbon/Ceramic x FKM-SS
100A	O-Ring	305463293		305463295		FKM
200	Replacement Motor 56J Frame	(See Motor Specifications)				Misc.
500	Pipe Plug 3/4"NPT (3-Pack)		305463050			Zinc-plated sSteel
503	Water Slinger		305453005			Neoprene
531	Hex Bolt (4-Pack)		305463253			300 Series Stainless Steel
530A	Hex Cap Screw - Motor (4-Pack)		305463030			Zinc-plated Steel
530B	Flat Washer/Lockwasher - Volute (4-Pack)		305453006			Zinc-plated Steel

Pre-May 2019

1	Pump Case	N/A		305460001		Cast Iron, ASTM-A48 CL30
100A	Gasket, Case	305463133		305463124		Vegetable Fiber

CENTRIFUGAL PUMPS

SELF-PRIMING FBSEF (1½–7½ HP)



MATERIALS AND PARTS

JM FRAME

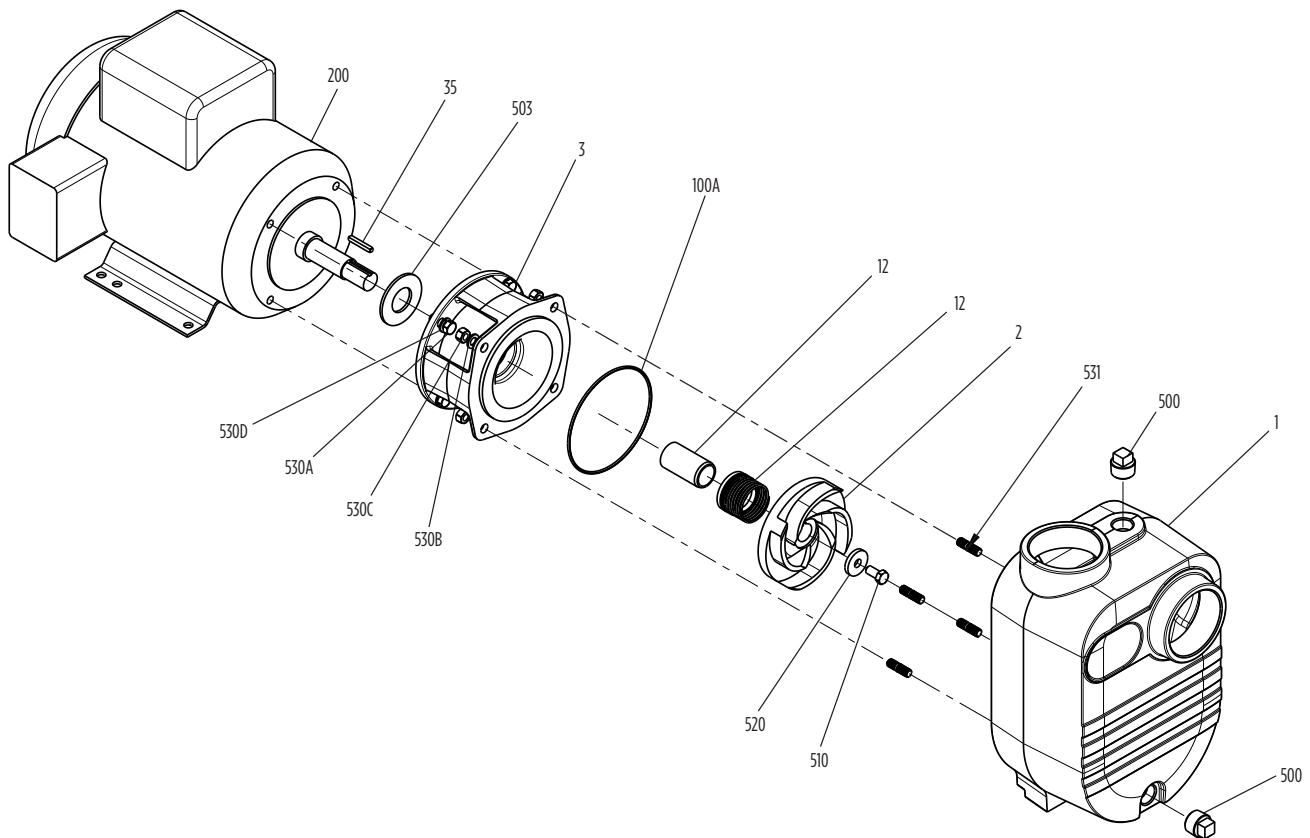


Fig. No.	Part Description	Part No.				Materials of Construction
		FBSEF-500	FBSEFL-075	FBSEF-750	FBSEFL-100	
1	Pump Case	305460002				Cast Iron, ASTM-A48 CL30
2	Impeller	305715005		305715006		Cast Iron, ASTM-A48 CL30
3	Motor Adaptor	305715009				Cast Iron, ASTM-A48 CL30
12	Mech Seal Shaft Sleeve	305458011				416 Stainless Steel
35	Shaft Key	305451003				301 Stainless Steel
90	Mechanical Shaft Seal	305463043				Carbon/Ceramic x FKM-SS
100A	O-Ring	305463296				FKM
200	Replacement Motor JM Frame	(See Motor Specifications)				Misc.
500	Pipe Plug 3/4" NPT (3-Pack)	305463050				Zinc-plated Steel
503	Water Slinger	305453030				Neoprene
510	Impeller Hex Bolt	305463077				416 Stainless Steel
520	Impeller Washer	305463187				303 Stainless Steel
531	Hex Bolt/Threaded Stud (4-Pack)	305463129				300 series Stainless Steel
530A	Hex Cap Screw - Motor (12-Pack)	305463010				Zinc-plated Steel
530B	Flat Washer/Lockwasher - Volute (8-Pack)	305463135				Zinc-plated Steel
530C	Hex Nut - Volute (8-Pack)	305463033				Zinc-plated Steel
530D	Lockwasher - Motor Adaptor (8-Pack)	305463135				Zinc-plated Steel

Pre-May 2019

1	Pump Case	N/A		Cast Iron, ASTM-A48 CL30
100A	Gasket, Case	305463126		Vegetable Fiber

