

### APPLICATIONS

- Commercial, industrial, and home uses where liquid must be transferred



### FEATURES

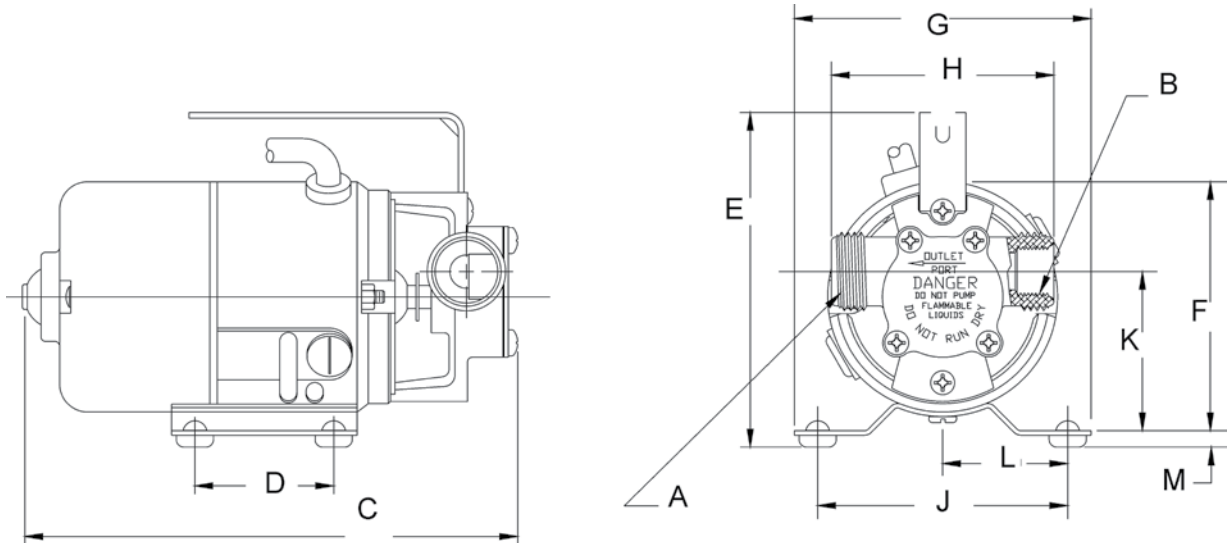
- Self-priming for instant delivery or dewatering up to 6' (1.8 m)
- Non-submersible stainless steel or plated brass pump body
- Rugged metallic handle or easy portability
- Dual threaded intake and discharge with both 3/4" (19 mm) male garden hose thread and 3/8" FNPT (9.5 mm)
- Model 360K includes pump, hose, strainer, and suction adapter
- Pump only models available with separate kit options
- cULus listing on models 555502, 555103, 555507, and 555122

### SERIES SPECIFICATIONS

| Volts  | Hz | Amps |       | Watts | Performance (GPH @ Height in Feet) |     |     |     | Shut-Off (ft) | PSI  |
|--------|----|------|-------|-------|------------------------------------|-----|-----|-----|---------------|------|
|        |    | FLA  | Start |       | 1'                                 | 5'  | 10' | 20' |               |      |
| 115    | 60 | 1.6  | 2.4   | 91    | 360                                | 330 | 300 | 250 | 25'           | 20.9 |
| 12 VDC | -  | 7    | 14    | 84    | 300                                | 270 | 240 | 202 | 25'           | 19.9 |

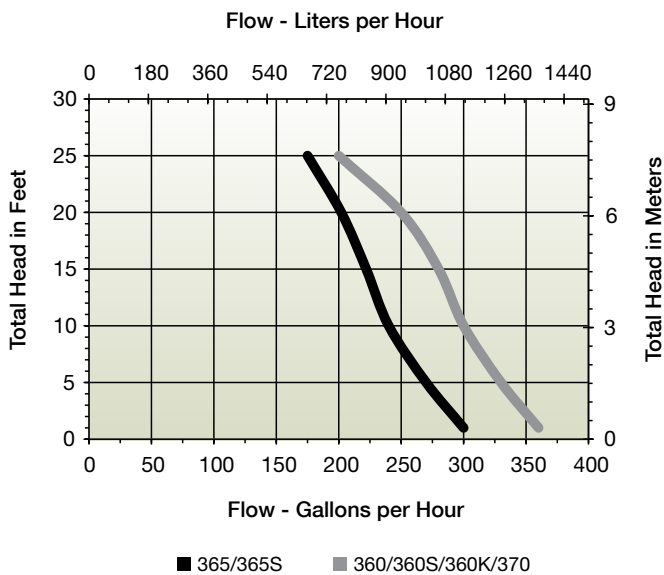
| Item No. | Model | HP   | Volts  | Material        | Operation    | Cord                 | Weight             |
|----------|-------|------|--------|-----------------|--------------|----------------------|--------------------|
| 555502   | 360   | 1/10 | 115    | Plated Brass    | Self-Priming | 6'<br>1.8 m          | 3.4 lbs<br>1.54 Kg |
| 555103   | 360S  | 1/10 | 115    | Stainless Steel | Self-Priming | 6'<br>1.8 m          | 3.4 lbs<br>1.54 Kg |
| 555507   | 370   | 1/10 | 115    | Plated Brass    | Self-Priming | 6'<br>1.8 m          | 4.7 lbs<br>2.12 Kg |
| 555602   | 365   | 1/10 | 12 VDC | Plated Brass    | Self-Priming | 12" Leads<br>30.5 cm | 4.7 lbs<br>2.12 Kg |
| 555203   | 365S  | 1/10 | 12 VDC | Stainless Steel | Self-Priming | 12" Leads<br>30.5 cm | 4.7 lbs<br>2.12 Kg |
| 555122   | 360K  | 1/10 | 115    | Plated Brass    | Self-Priming | 6'<br>1.8 m          | 4.7 lbs<br>2.12 Kg |

SERIES SPECIFICATIONS CONT.



| Model  | A                    | B                   | C                 | D                | E                 | F                | G              | H             | J                | K                | L                | M               |
|--------|----------------------|---------------------|-------------------|------------------|-------------------|------------------|----------------|---------------|------------------|------------------|------------------|-----------------|
| 115 V  | 3/4" MGHT<br>1.91 cm | 3/8" FNPT<br>9.5 mm | 6.62"<br>16.81 cm | 1.87"<br>4.75 cm | 4.5"<br>11.43 cm  | 3.35"<br>8.51 cm | 4"<br>10.16 cm | 3"<br>7.62 cm | 3.37"<br>8.56 cm | 2.14"<br>5.44 cm | 1.69"<br>4.29 cm | 0.22"<br>5.6 mm |
| 12 VDC | 3/4" MGHT<br>1.91 cm | 3/8" FNPT<br>9.5 mm | 5.93"<br>15.06 cm | 1.87"<br>4.75 cm | 4.18"<br>10.62 cm | 3.13"<br>7.95 cm | 4"<br>10.16 cm | 3"<br>7.62 cm | 3.37"<br>8.56 cm | 1.82"<br>4.62 cm | 1.69"<br>4.29 cm | 0.22"<br>5.6 mm |

PERFORMANCE DATA



REPLACEMENT & BRUSH KITS

| Item No. | Model     | Includes                                                                                                                                                           | Kit Used On                  |
|----------|-----------|--------------------------------------------------------------------------------------------------------------------------------------------------------------------|------------------------------|
| 555702   | HRK-360S  | (2) Each - Buna Impeller with SST Insert, Buna Cover Gaskets<br>(1) Each - SST Cam, SST Cam Screws, SST Volute Cover, Cam Gasket<br>(4) Each - Volute Cover Screws | All Models                   |
| 555706   | IRK-360   | (2) Each - Buna Impellers with Brass Insert, Buna Cover Gaskets                                                                                                    | 555502,<br>555122,<br>555602 |
| 555710   | HW-360    | (1) Each - 10' ft Garden Hose, SST Spring Strainer, Suction Adapter                                                                                                | All Models                   |
| 555713   | IRK-360S  | (2) Each - Buna Impellers with SST Insert, Buna Cover Gaskets                                                                                                      | 555103,<br>555203,<br>555503 |
| 555714   | ISRK-360S | (2) Each - Buna Impellers with SST Insert, Buna Cover Gaskets<br>(1) Each - Slinger, Viton U-Cup Seal, Felt Washer, Retainer Ring                                  | All Models                   |
| 555705   | WB-360    | Brush Kit: (2) Each - White Caps, Brushes, Covers with Springs                                                                                                     | All Models                   |